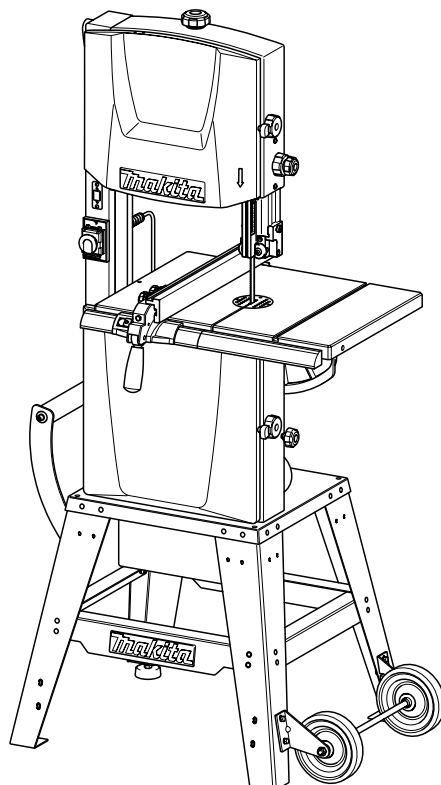
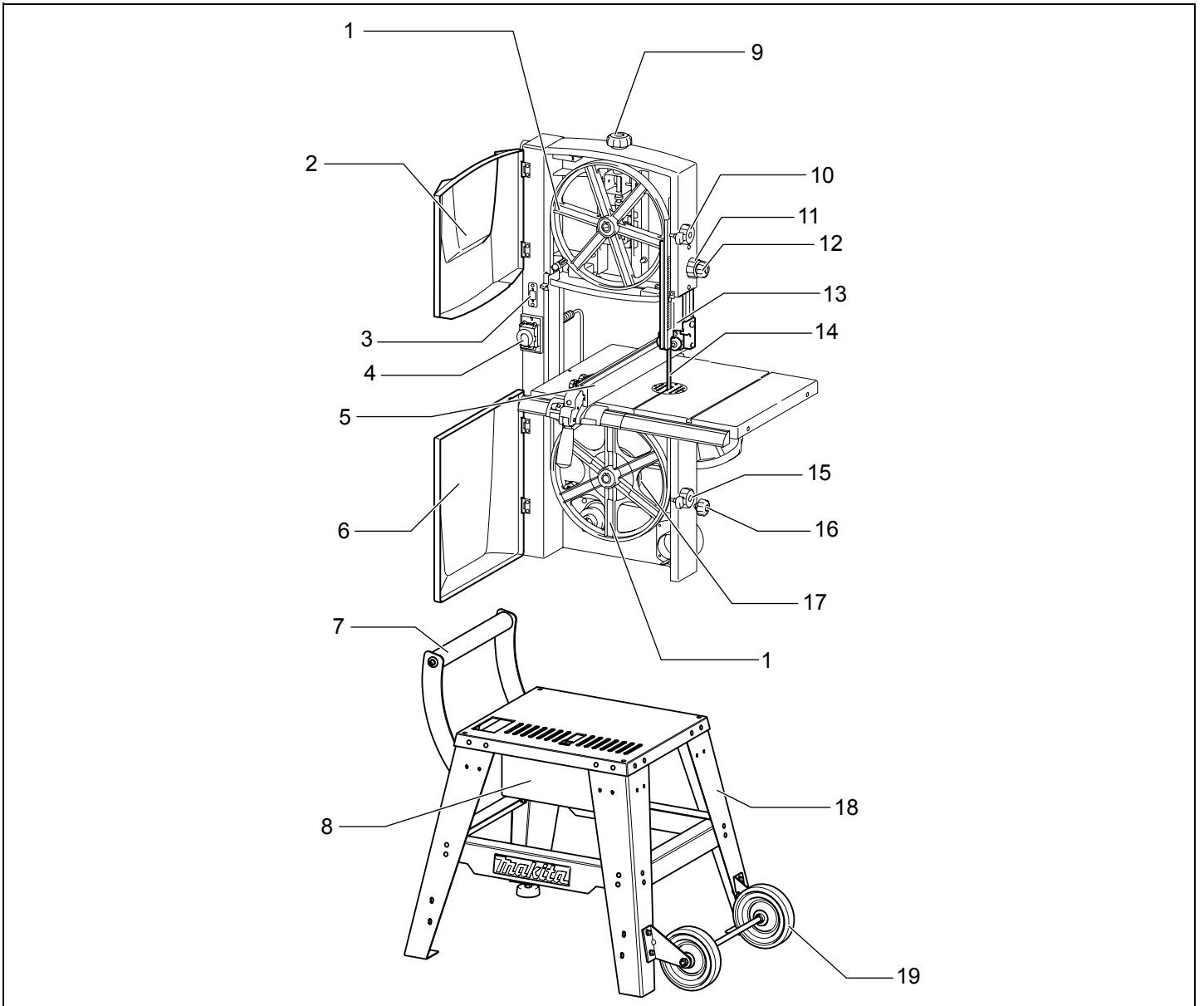




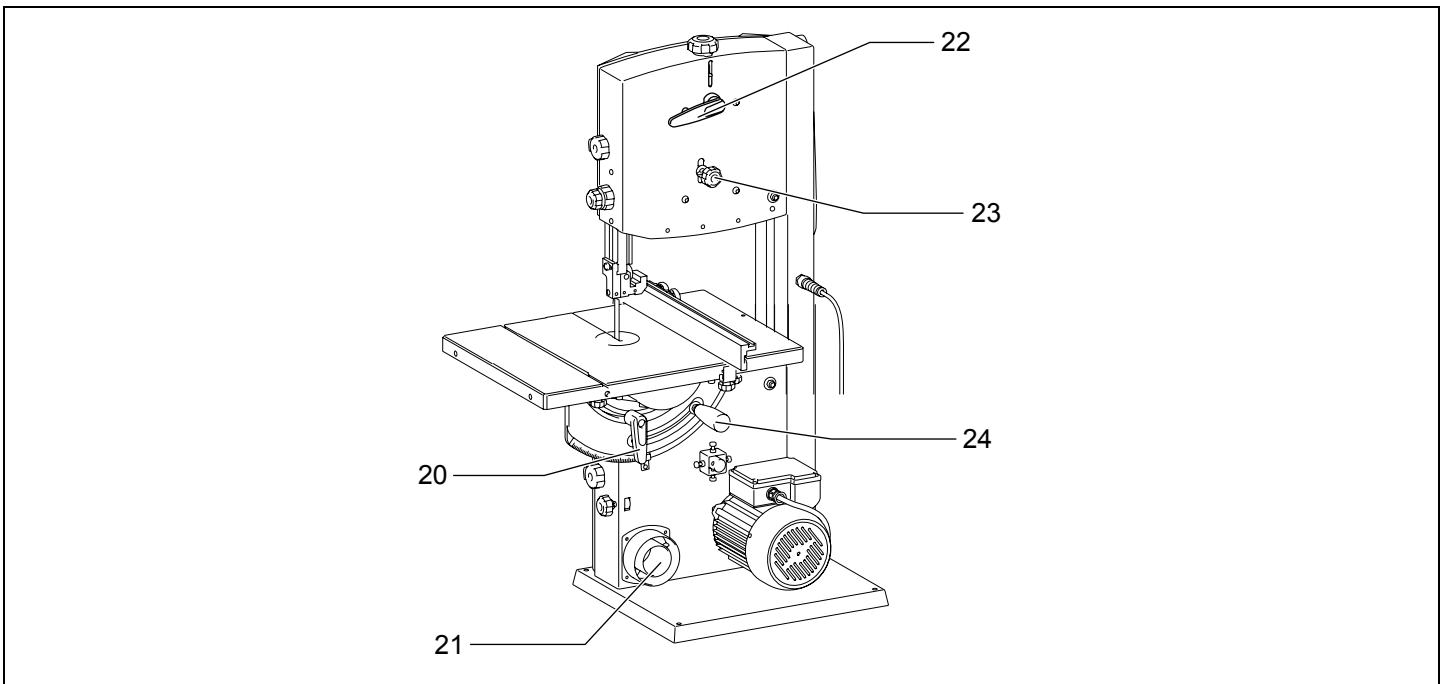
<b>GB</b>	Band Saw	Instruction manual
<b>S</b>	Bandsåg	Bruksanvisning
<b>N</b>	Båndsag	Bruksanvisning
<b>FIN</b>	Vannesaha	Käyttöohje
<b>LT</b>	Juostinės pjovimo staklės	Eksploatacijos instrukcija
<b>LV</b>	Lentzāģis	Lietošanas rokasgrāmata
<b>EE</b>	Lintsaag	Kasutusjuhend
<b>RUS</b>	Ленточная пила	Инструкцию по эксплуатации

## LB1200F

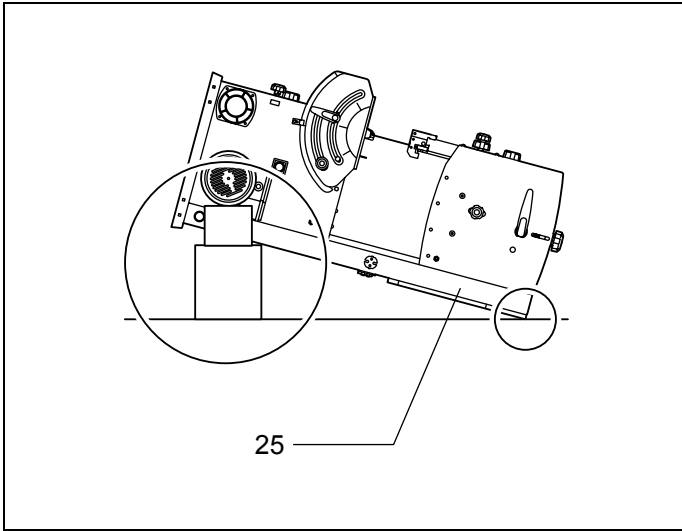




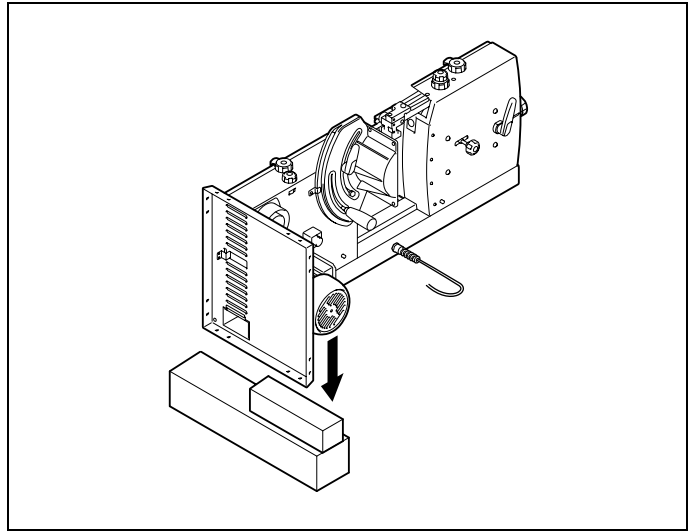
**1**



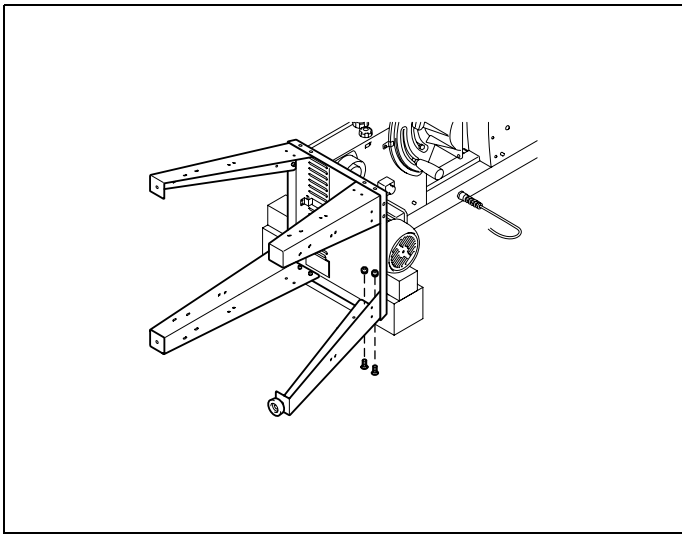
**2**



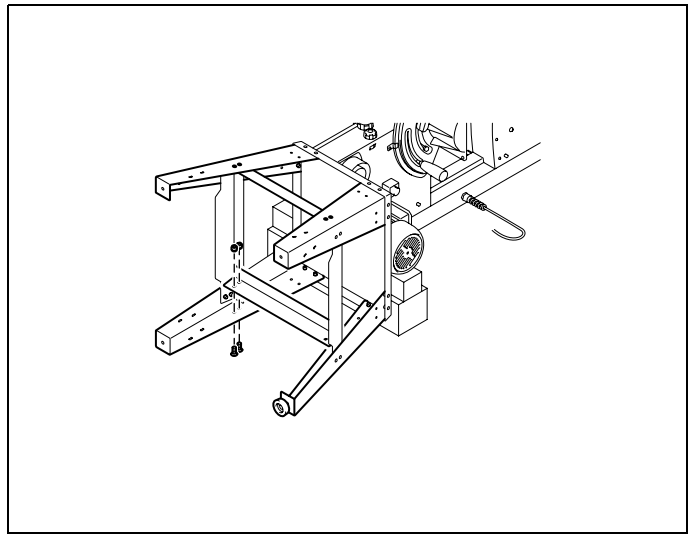
3



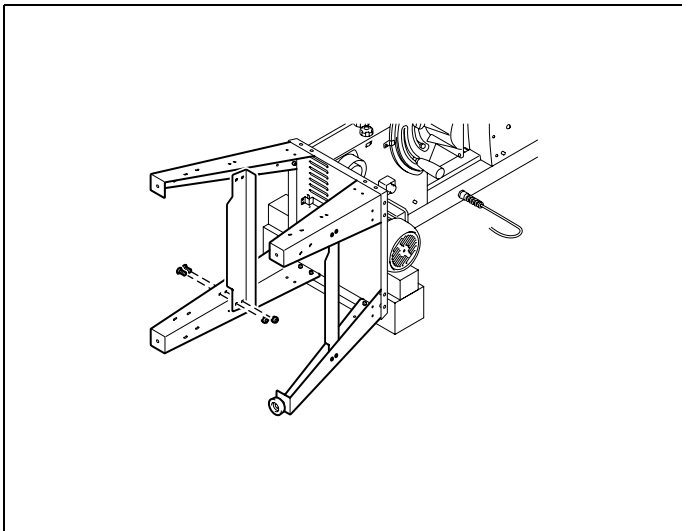
4



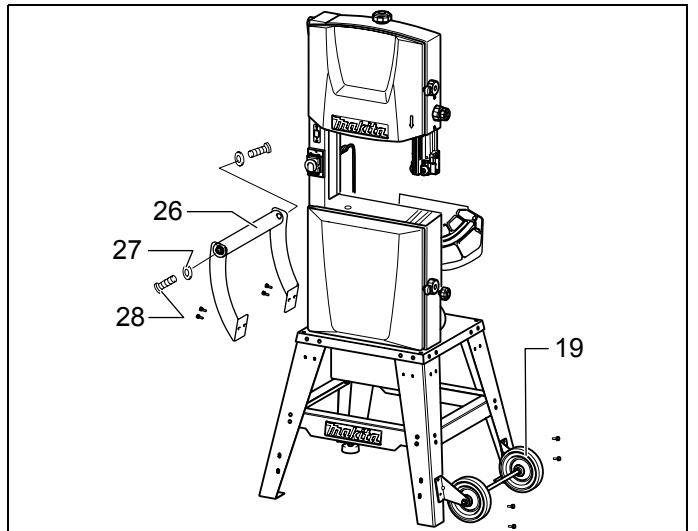
5



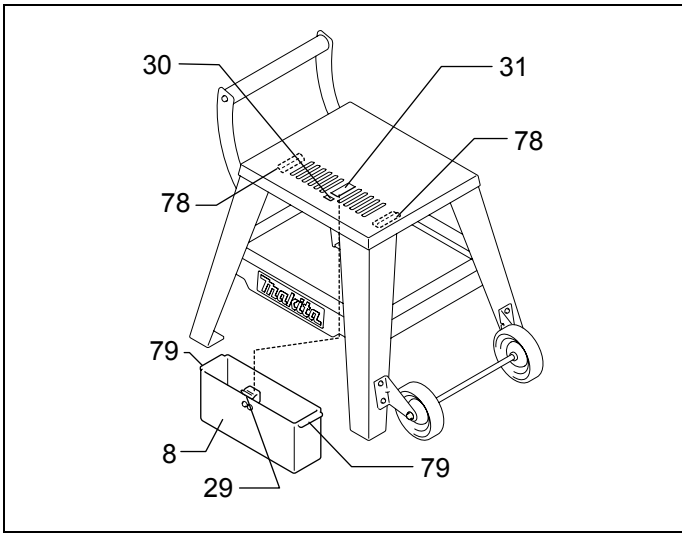
6



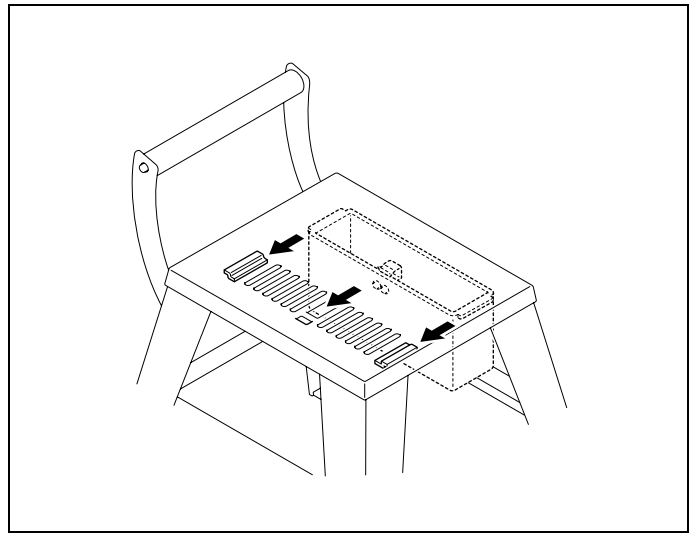
7



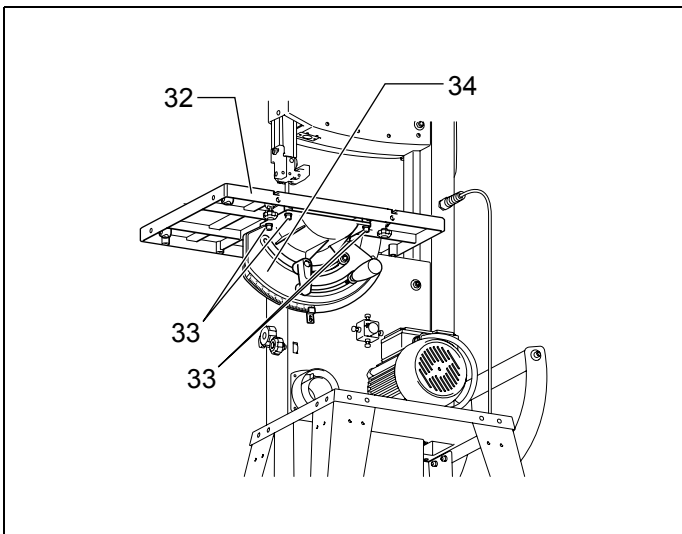
8



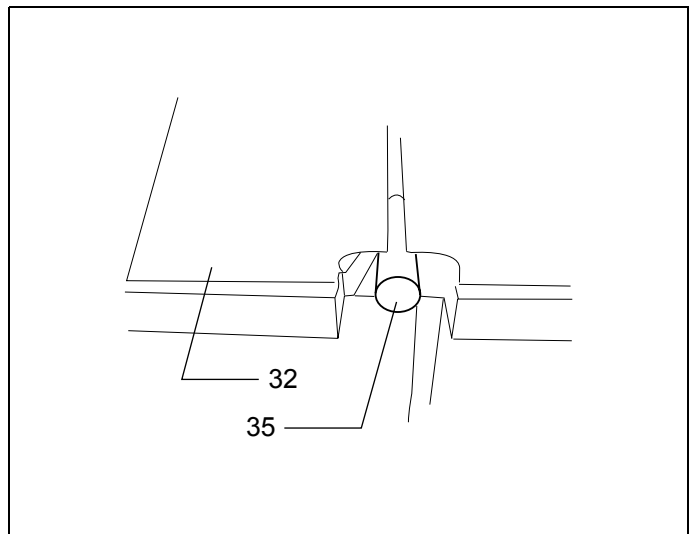
9



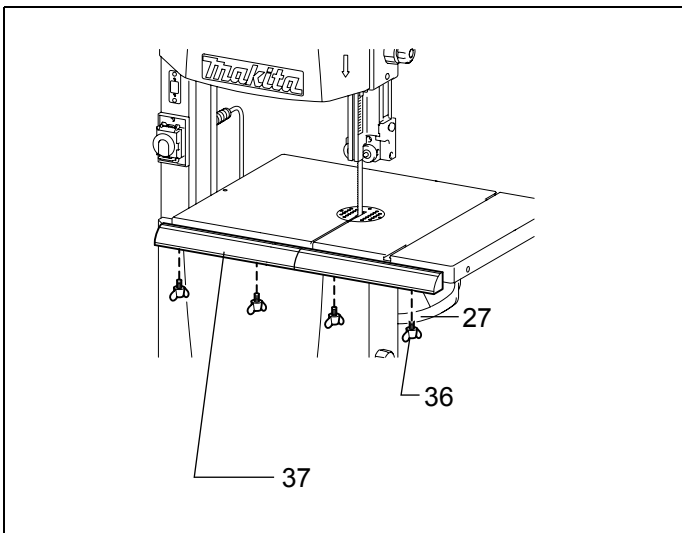
10



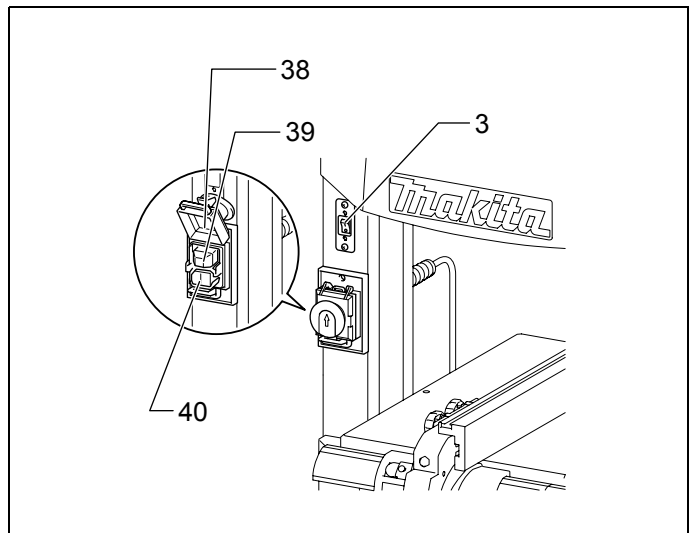
11



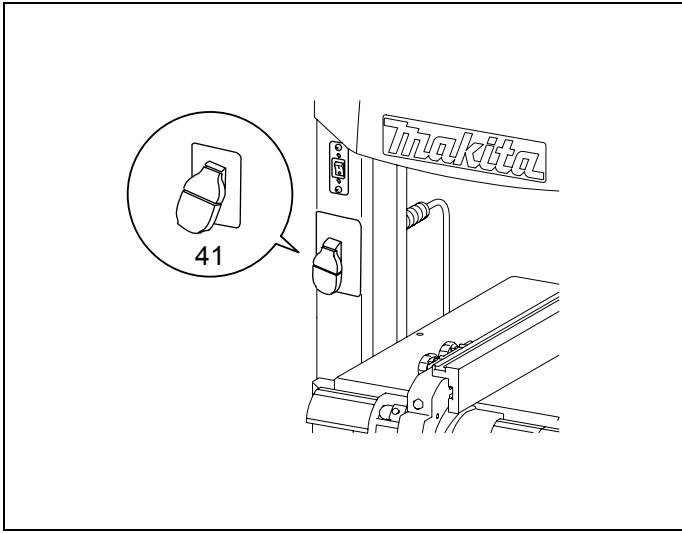
12



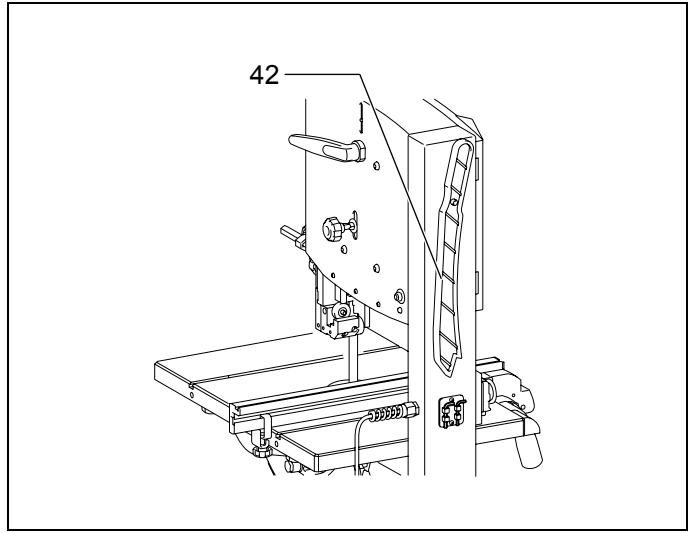
13



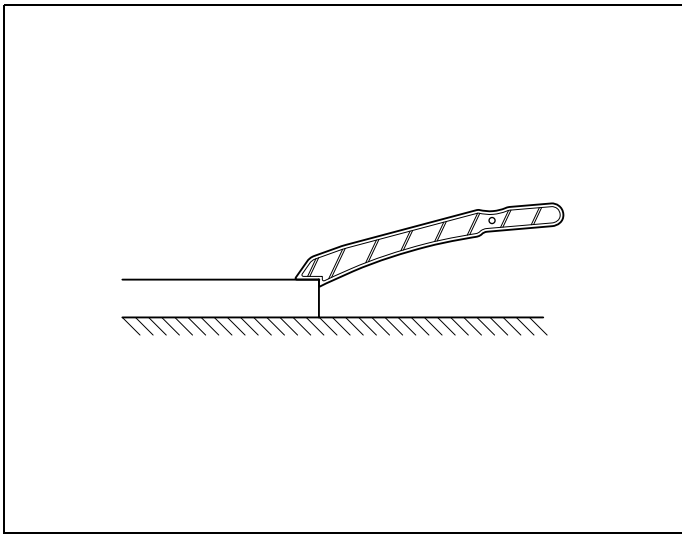
14



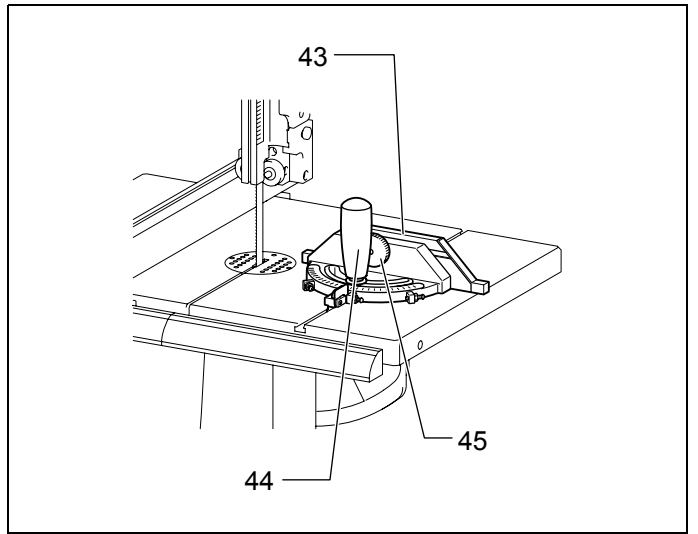
15



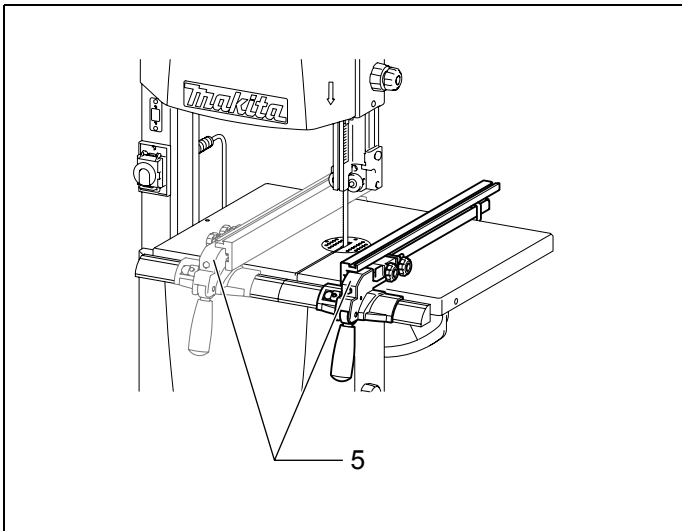
16



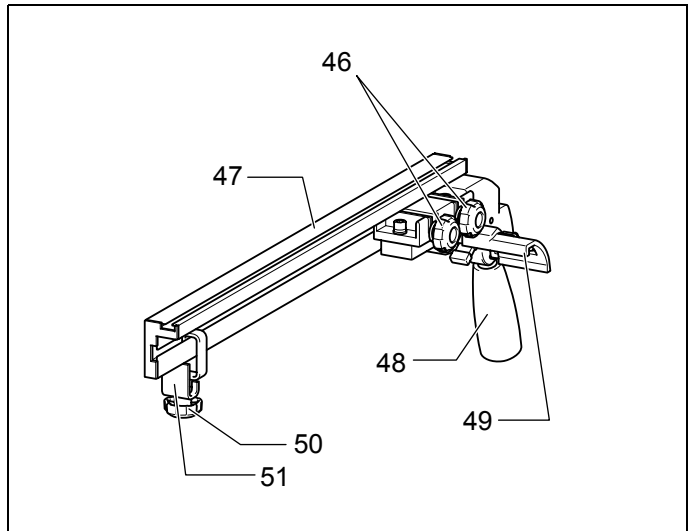
17



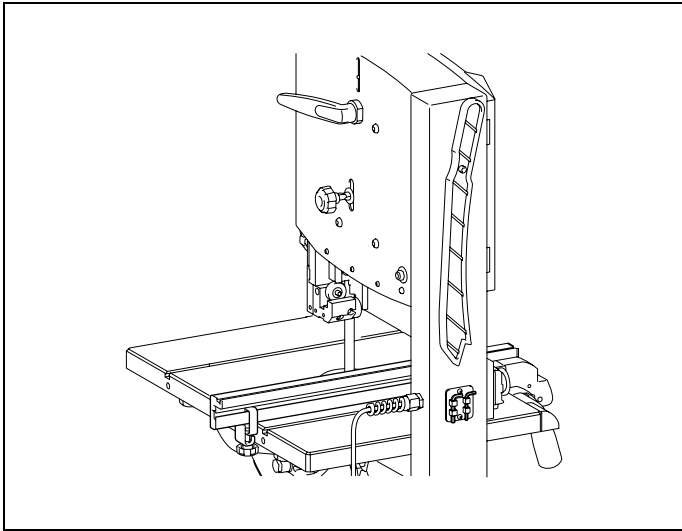
18



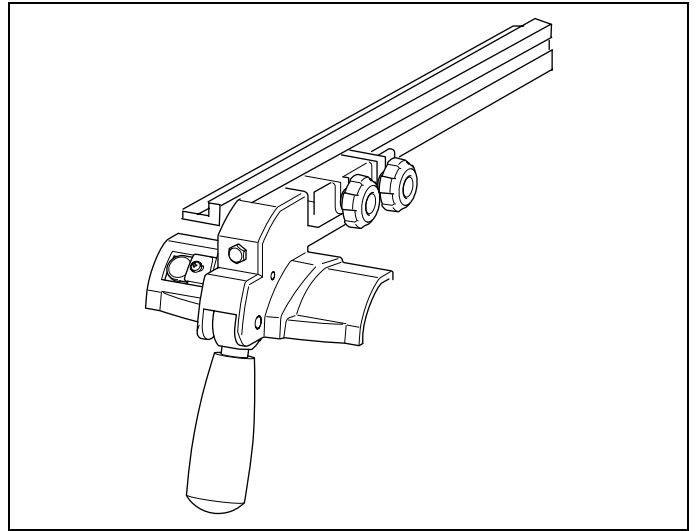
19



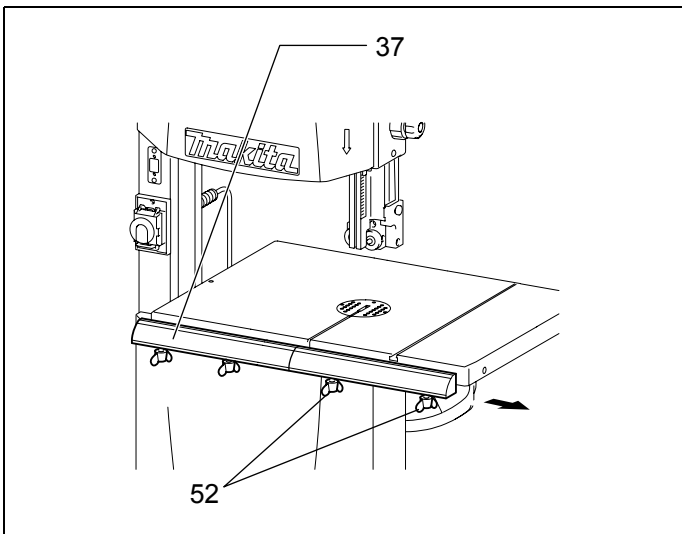
20



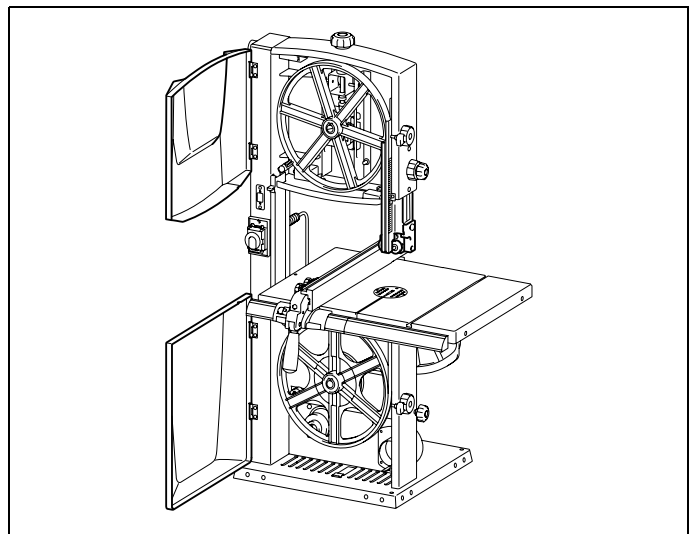
**21**



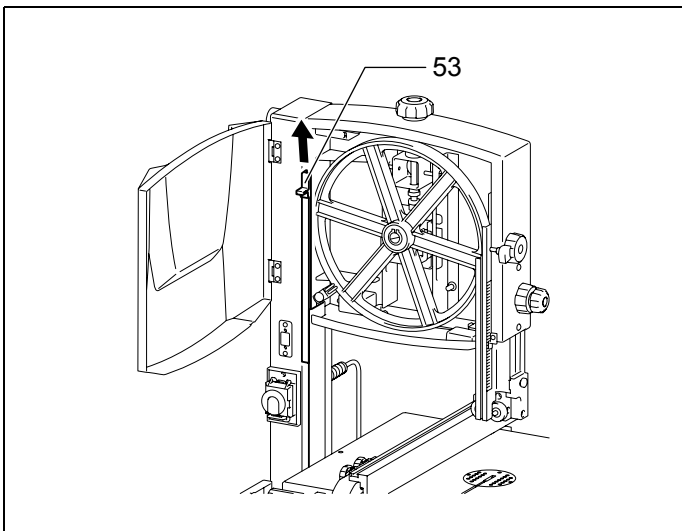
**22**



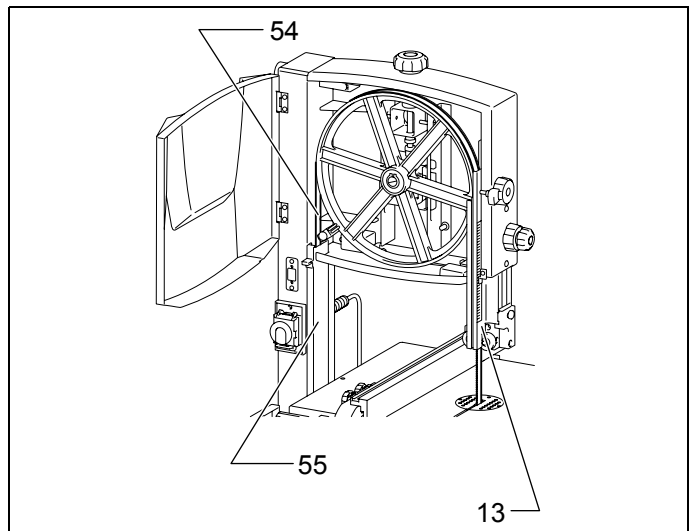
**23**



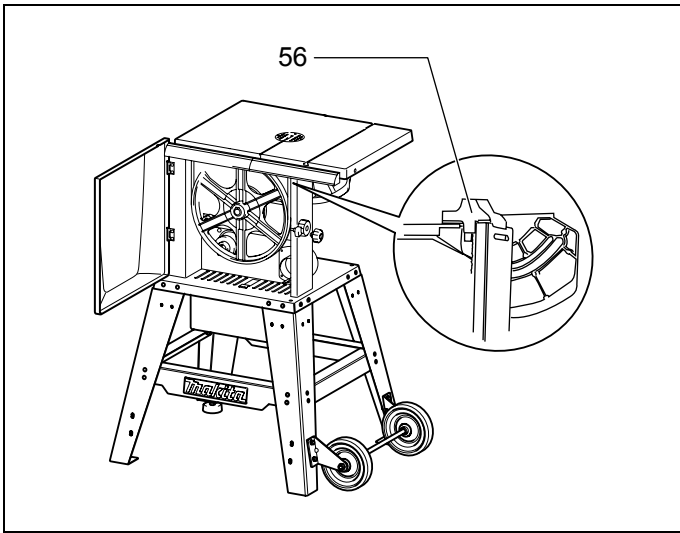
**24**



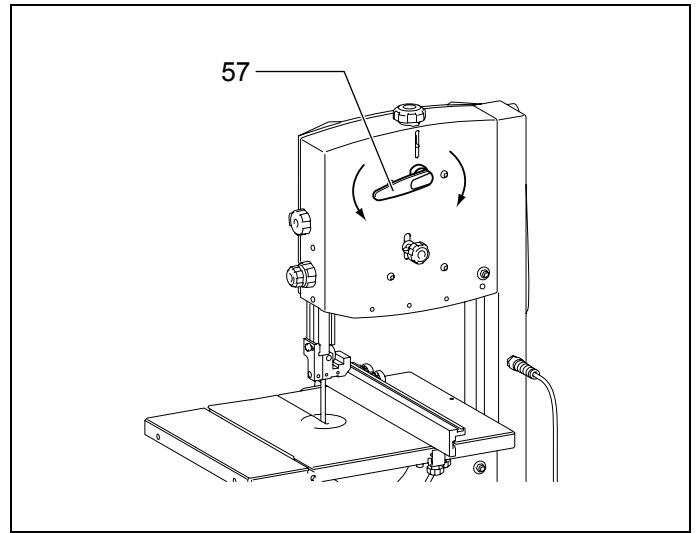
**25**



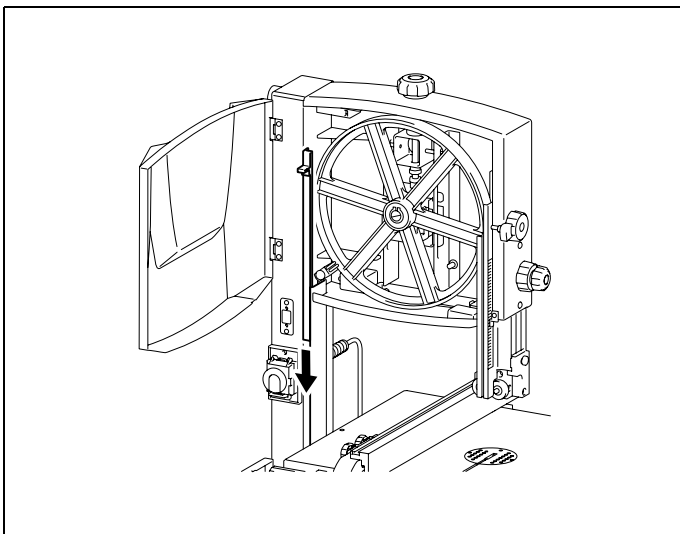
**26**



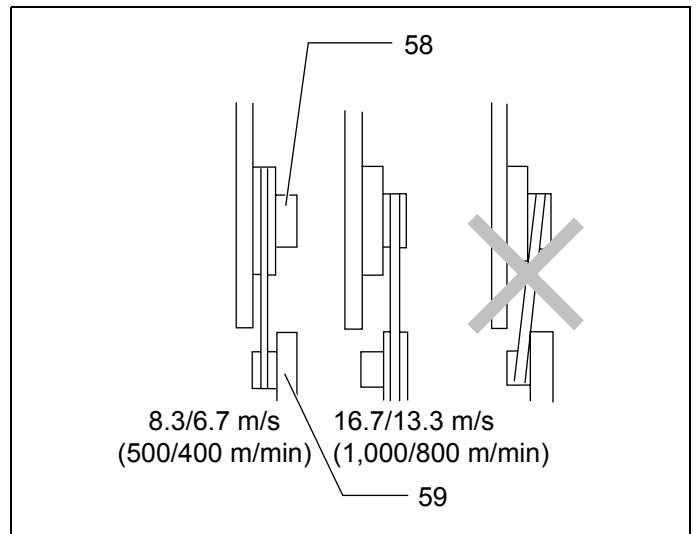
27



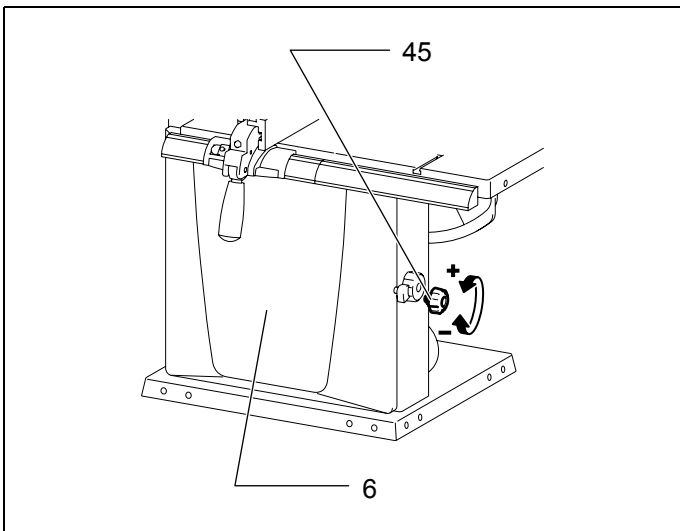
28



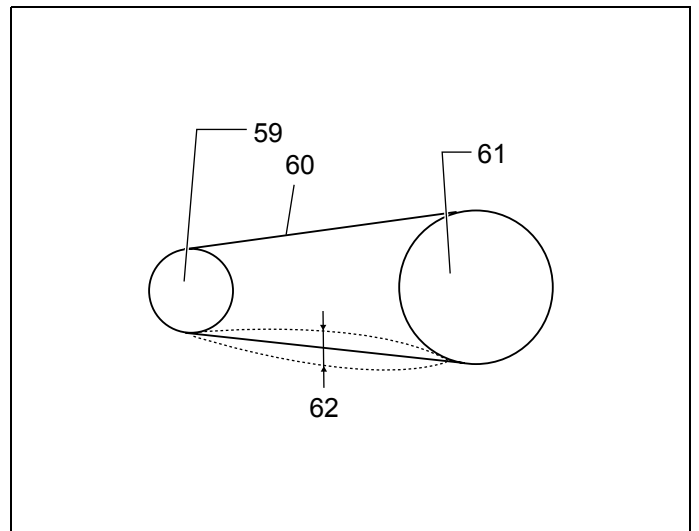
29



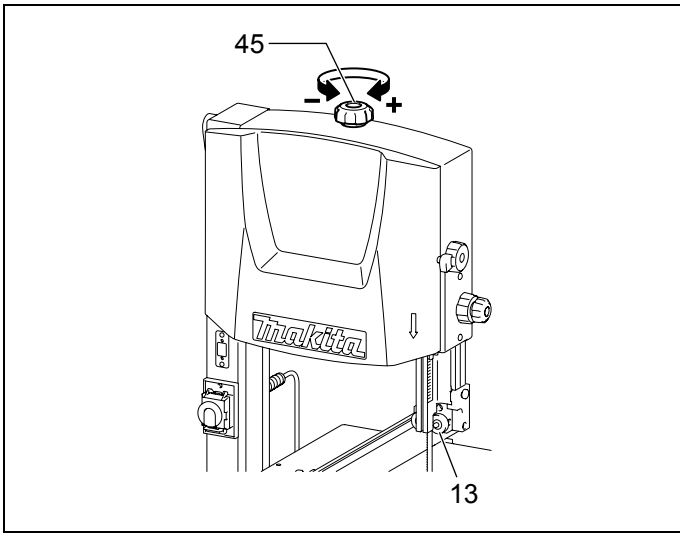
30



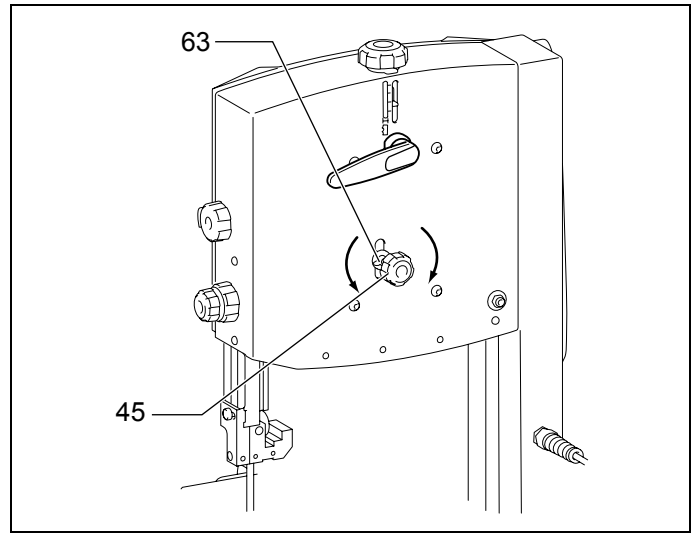
31



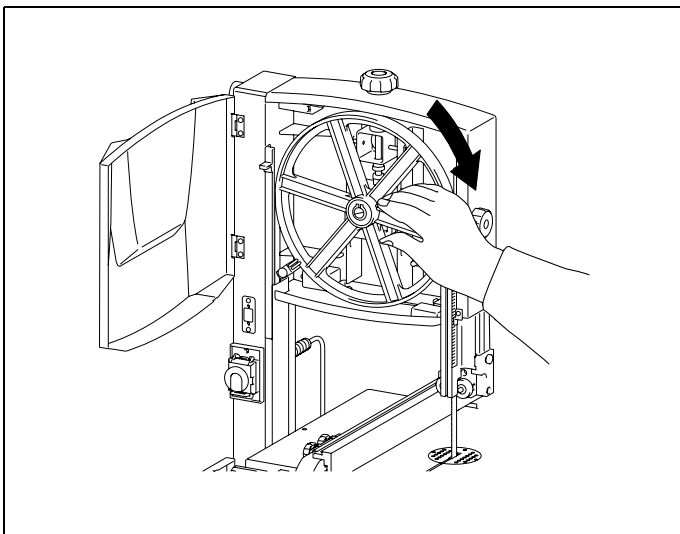
32



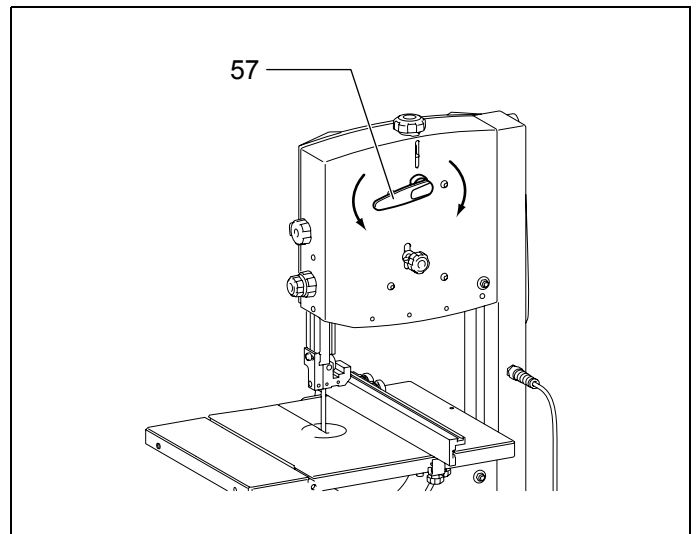
**33**



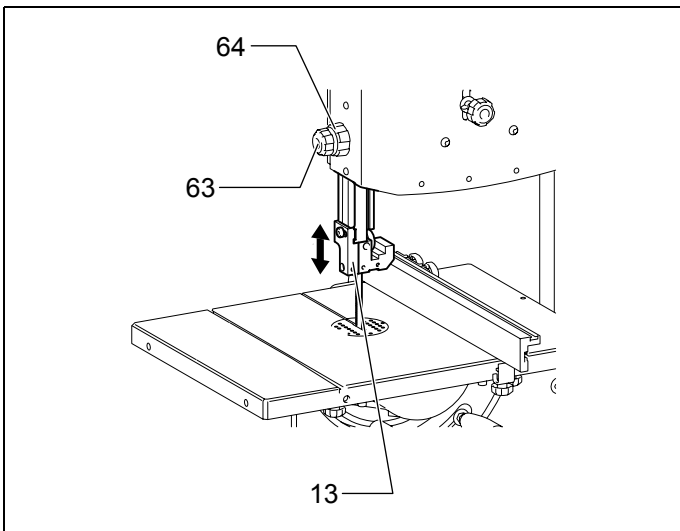
**34**



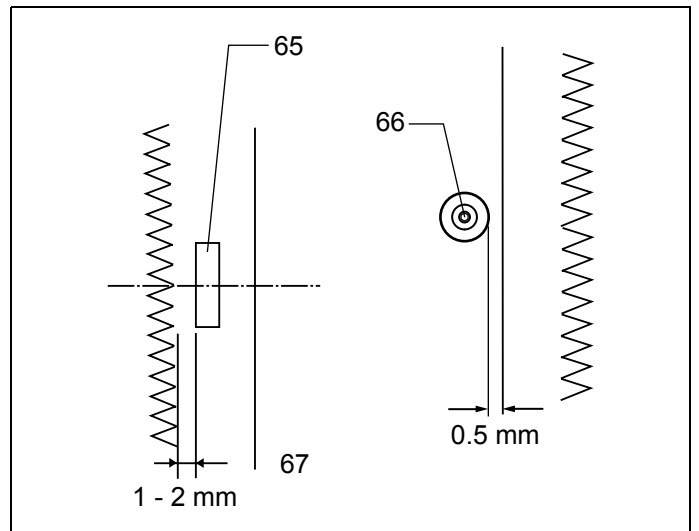
**35**



**36**

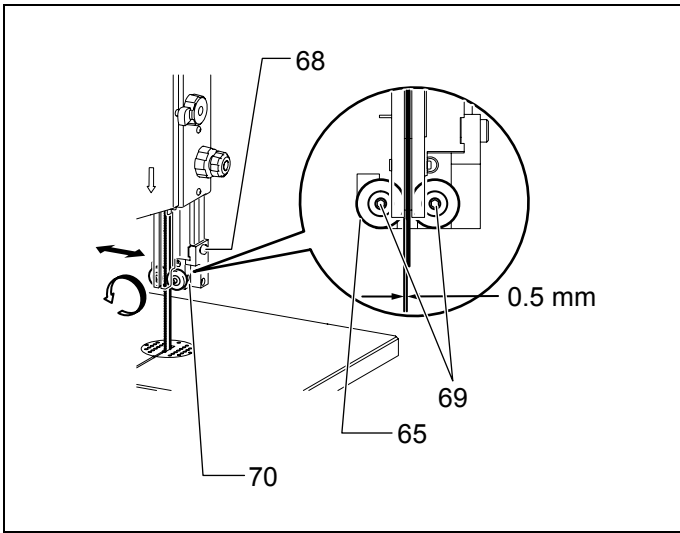


**37**

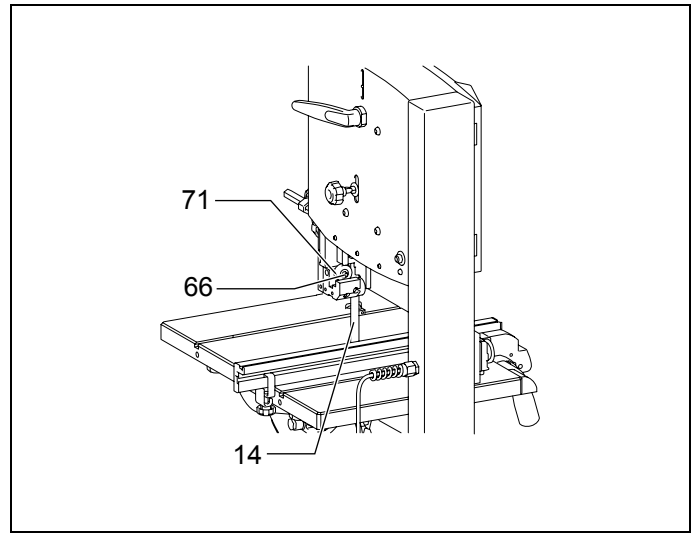


**38**

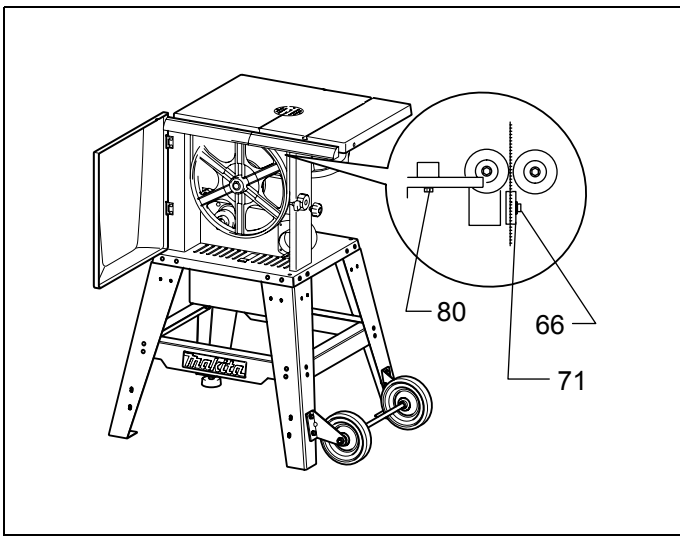




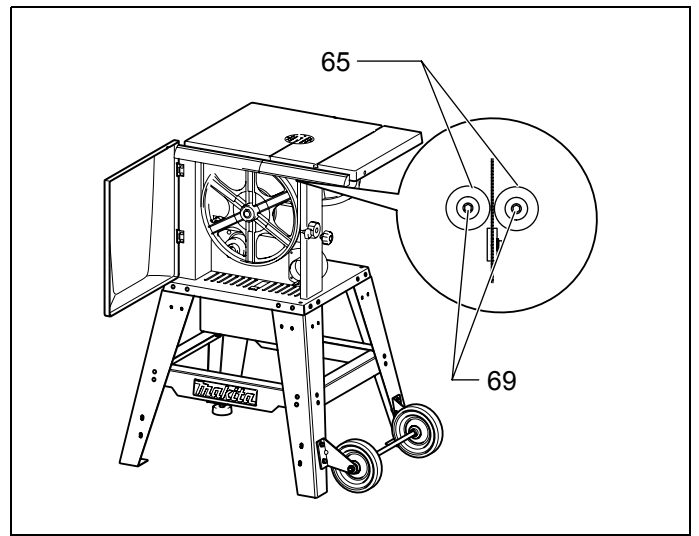
39



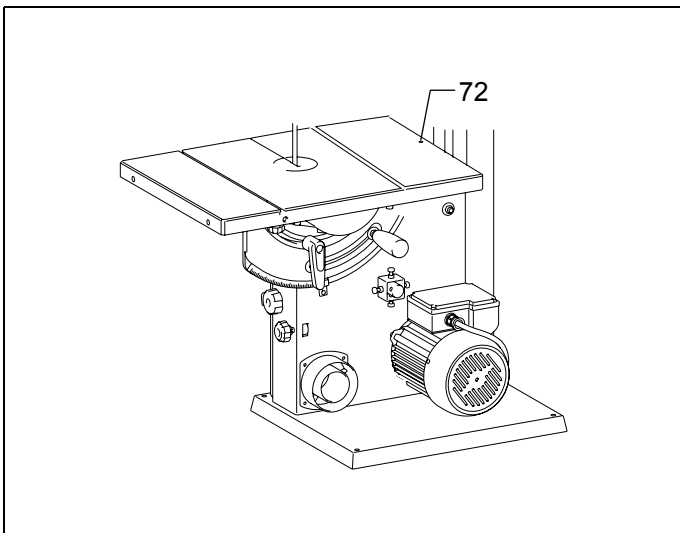
40



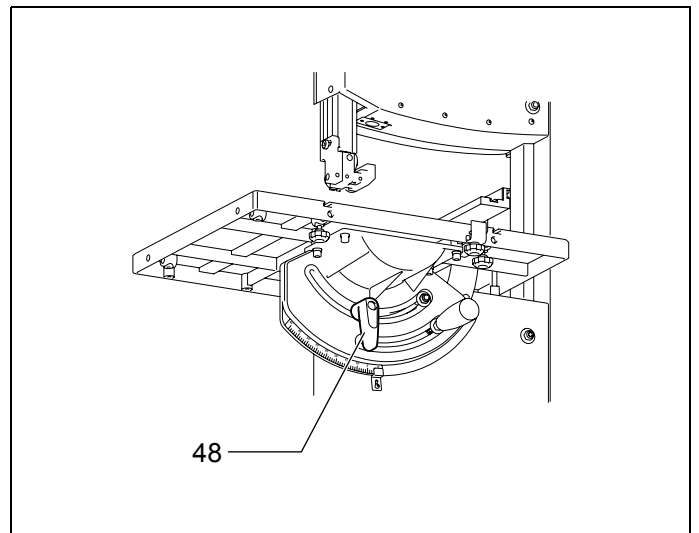
41



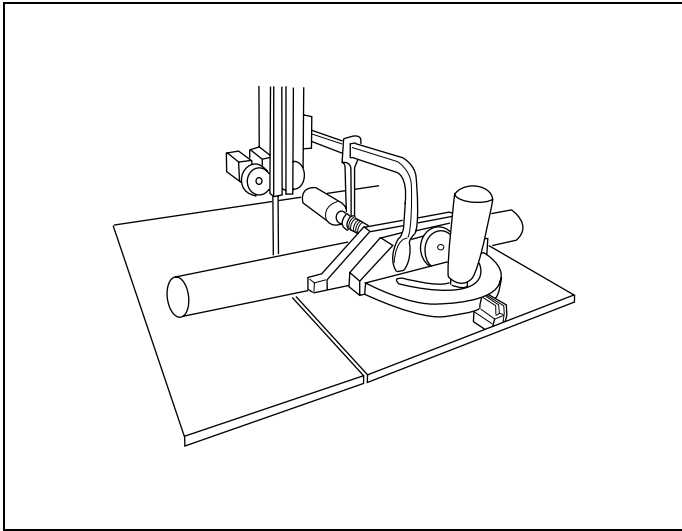
42



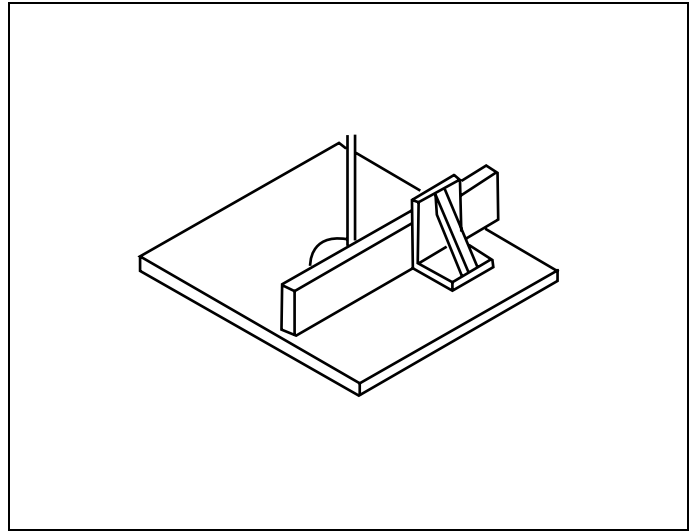
43



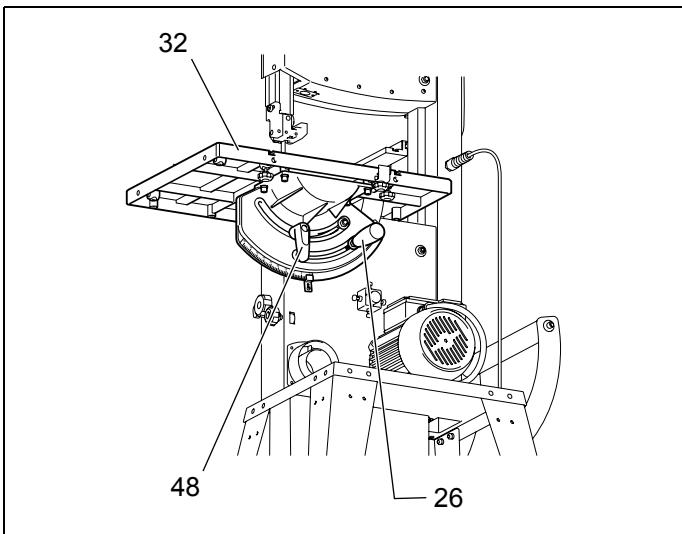
44



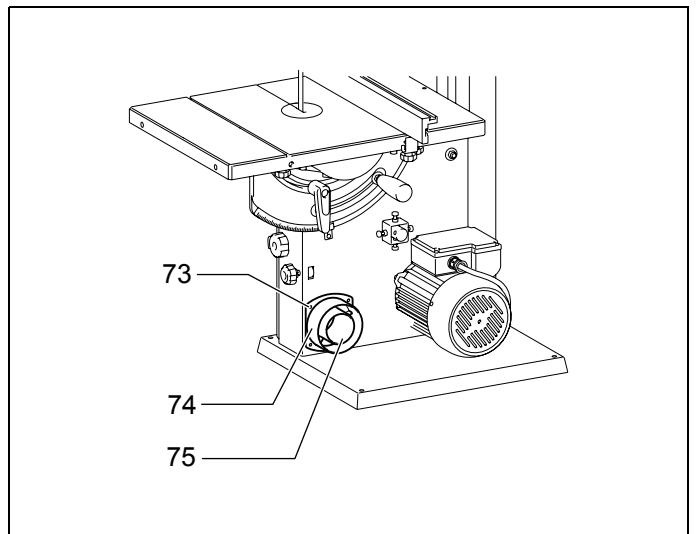
45



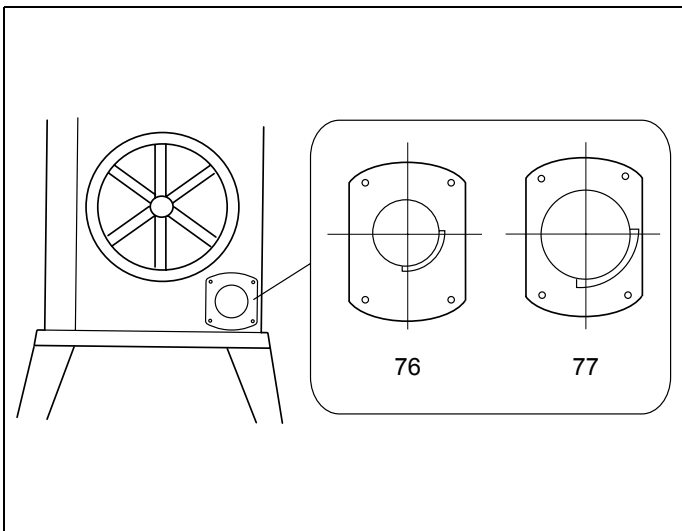
46



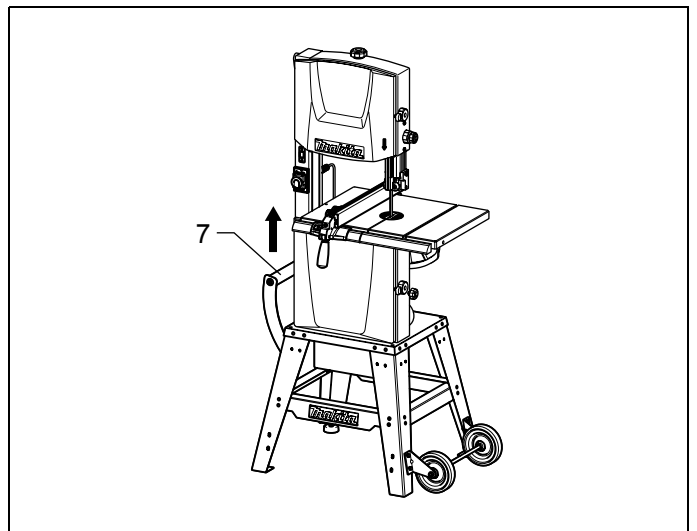
47



48



49



50

## ENGLISH (Original instructions)

### Explanation of general view

1. Wheel	29. Plate spring	57. Quick release lever
2. Upper cover	30. Securing hole	58. Lower band saw wheel
3. Light switch	31. Position hole	59. Motor pulley
4. Switch	32. Table	60. Driving belt
5. Rip fence	33. Hex bolts	61. Pulley of the driving wheel
6. Lower cover	34. Trunnion	62. Approx. 10 mm
7. Carry Handle	35. Pin	63. Lock knob
8. Dust box	36. Thumb screw	64. Adjusting knob
9. Knob (For tensioning blade)	37. Guide rail	65. Guide bearing
10. Knob (For securing upper housing door)	38. Switch cover	66. Bolt A
11. Knob (For adjusting blade guide)	39. OFF switch	67. Guide bearing distance from bottom of blade
12. Knob (For securing blade guide)	40. ON switch	68. Bolt C
13. Upper blade guide	41. ON	69. Bolt B
14. Blade	42. Push stick	70. Bearing holder
15. Knob (For securing lower housing door)	43. Miter gauge	71. Thrust bearing
16. Knob (For tensioning V-belt)	44. Lock handle	72. Screw
17. Driving belt	45. Knob	73. Nut
18. Stand	46. Knob (A)	74. Large opening collector
19. Tire	47. Fence	75. Small opening collector
20. Lock lever (For securing table tilt)	48. Lock lever	76. Small dust collector (Mounted on main unit)
21. Dust extraction port	49. Fence holder	77. Large dust collector (For changeover)
22. (Quick release) lever	50. Knob (B)	78. Rail
23. Knob (For adjusting cutter tool tracking)	51. Hold-down clamp	79. Shoulder
24. Grip (For adjusting table tilt)	52. Thumb screws	80. Hex bolt
25. Frame	53. Dust cover	
26. Handle	54. Saw blade	
27. Washer	55. Saw housing	
28. Hex socket head bolt	56. Lower blade guard	

## SPECIFICATIONS

Model	LB1200F	
Wheel size	305 mm	
Max. cutting capacity	165 mm	
No load speed	High	840 min <sup>-1</sup> (50 Hz)/1,040 min <sup>-1</sup> (60 Hz)
	Low	420 min <sup>-1</sup> (50 Hz)/520 min <sup>-1</sup> (60 Hz)
Cutting speed	High	13.3 m/s (800 m/min) (50 Hz)/16.7 m/s (1,000 m/min) (60 Hz)
	Low	6.7 m/s (400 m/min) (50 Hz)/8.3 m/s (500 m/min) (60 Hz)
Blade size	Circumference 2,240 mm x Width 6 mm, 13 mm, 16 mm	
Overall dimensions	615 mm x 775 mm x 1,600 mm	
Table size	560 mm x 400 mm	
Net weight	81.2 kg	

- Due to our continuing program of research and development, the specifications herein are subject to change without notice.
- Specifications may differ from country to country.
- Weight according to EPTA-Procedure 01/2003

### Symbols

END215-2

The following show the symbols used for the tool. Be sure that you understand their meaning before use.



..... Read instruction manual.



..... Withdraw the main plug.



..... Wear safety glasses.



..... Do not place hand or fingers close to the blade.



..... Only for EU countries  
Do not dispose of electric equipment together with household waste material!

In observance of European Directive 2002/96/EC on waste electrical and electronic equipment and its implementation in accordance with national law, electric equipment that have reached the end of their life must be collected separately and returned to an environmentally compatible recycling facility.

### Intended use

The tool is intended for cutting in wood.

### Power supply

The tool should be connected only to a power supply of the same voltage as indicated on the nameplate, and can only be operated on single-phase AC supply. They are double-insulated in accordance with European Standard and can, therefore, also be used from sockets without earth wire.

# SAFETY INSTRUCTIONS

ENA001-2

**⚠ WARNING: When using electric tools, basic safety precautions, including the following, should always be followed to reduce the risk of fire, electric shock and personal injury. Read all these instructions before operating this product and save these instructions.**

## For safe operations:

- 1. Keep work area clean.**  
Cluttered areas and benches invite injuries.
- 2. Consider work area environment.**  
Do not expose power tools to rain. Do not use power tools in damp or wet locations. Keep work area well lit. Do not use power tools where there is risk to cause fire or explosion.
- 3. Guard against electric shock.**  
Avoid body contact with earthed or grounded surfaces (e.g. pipes, radiators, ranges, refrigerators).
- 4. Keep children away.**  
Do not let visitors touch the tool or extension cord. All visitors should be kept away from work area.
- 5. Store idle tools.**  
When not in use, tools should be stored in a dry, high or locked up place, out of reach of children.
- 6. Do not force the tool.**  
It will do the job better and safer at the rate for which it was intended.
- 7. Use the right tool.**  
Do not force small tools or attachments to do the job of a heavy duty tool. Do not use tools for purposes not intended; for example, do not use circular saws to cut tree limbs or logs.
- 8. Dress properly.**  
Do not wear loose clothing or jewellery, they can be caught in moving parts. Rubber gloves and non-skid footwear are recommended when working outdoors. Wear protecting hair covering to contain long hair.
- 9. Use safety glasses and hearing protection.**  
Also use face or dust mask if the cutting operation is dusty.
- 10. Connect dust extraction equipment.**  
If devices are provided for the connection of dust extraction and collection facilities ensure these are connected and properly used.
- 11. Do not abuse the cord.**  
Never carry the tool by the cord or yank it to disconnect it from the socket. Keep the cord away from heat, oil and sharp edges.
- 12. Secure work.**  
Use clamps or a vice to hold the work. It is safer than using your hand and it frees both hands to operate the tool.
- 13. Do not overreach.**  
Keep proper footing and balance at all times.
- 14. Maintain tools with care.**  
Keep cutting tools sharp and clean for better and safer performance. Follow instructions for lubrication and changing accessories. Inspect tool cord periodically and if damaged have it repaired by an authorized service facility. Inspect extension cords periodically and replace, if damaged. Keep handles dry, clean and free from oil and grease.
- 15. Disconnect tools.**  
When not in use, before servicing and when changing accessories such as blades, bits and cutters.
- 16. Remove adjusting keys and wrenches.**  
Form the habit of checking to see that keys and adjusting wrenches are removed from the tool before turning it on.

- 17. Avoid unintentional starting.**  
Do not carry a plugged-in tool with a finger on the switch. Ensure switch is off when plugging in.
- 18. Use outdoor extension leads.**  
When tool is used outdoors, use only extension cords intended for outdoor use.
- 19. Stay alert.**  
Watch what you are doing. Use common sense. Do not operate tool when you are tired.
- 20. Check damaged parts.**  
Before further use of the tool, a guard or other part that is damaged should be carefully checked to determine that it will operate properly and perform its intended function. Check for alignment of moving parts, free running of moving parts, breakage of parts, mounting and any other conditions that may affect its operation. A guard or other part that is damaged should be properly repaired or replaced by an authorized service center unless otherwise indicated in this instruction manual. Have defective switches replaced by an authorized service facility. Do not use the tool if the switch does not turn it on and off.
- 21. Warning.**  
The use of any accessory or attachment, other than those recommended in this instruction manual or the catalog, may present a risk of personal injury.
- 22. Have your tool repaired by a qualified person.**  
This electric tool is in accordance with the relevant safety requirements. Repairs should only be carried out by qualified persons using original spare parts, otherwise this may result in considerable danger to the user.

## ADDITIONAL SAFETY RULES FOR TOOL

### SAVE THESE INSTRUCTIONS.

- 1. Wear eye protection.**
- 2. Don't use the tool in presence of flammable liquids or gases.**
- 3. Always use face or dust mask.**
- 4. Check the blade carefully for cracks or damage before operation. Replace cracked or damaged blade immediately.**
- 5. Use only saw blades recommended by the manufacturer and which conform to EN847-1.**
- 6. Always use accessories recommended in this manual. Use of improper accessories such as abrasive cut-off wheels may cause an injury.**
- 7. Select the correct saw blade for the material to be cut.**
- 8. Do not use saw blades manufactured from high speed steel.**
- 9. To reduce the emitted noise, always be sure that the blade is sharp and clean.**
- 10. Do not cut metals such as nails and screws. Inspect for and remove all nails, screws and other foreign matter from the workpiece before operation.**
- 11. Remove wrenches, cut-off pieces, etc. from the table before the switch is turned on.**
- 12. NEVER wear gloves during operation.**
- 13. Keep hands out of the line of the saw blade.**
- 14. NEVER stand or permit anyone else to stand in line with the path of the saw blade.**

15. Before using the tool on an actual workpiece, let it run for a while. Watch for vibration or wobbling that could indicate poor installation or a poorly balanced blade.
16. Replace the table insert when worn.
17. Connect band saw to a dust-collecting device when sawing wood.
18. Do not operate the machine when the door or guard protecting the saw band is open.
19. Take care that the selection of the saw band and the speed depends on the material to be cut.
20. Do not clean the saw band whilst it is in motion.

## INSTALLATION (Fig. 1 & 2)

### Securing the band saw stand

If during operation there is any tendency for the band saw to tip over, slide or move, the band saw stand be secured to the floor. (Fig. 3 - 7)

- After attaching the stand, attach the handle and tires. (Fig. 8)

### How to load dust box

The dust box is loaded from the underside of the table saw. When loading, insert plate spring (for securing) at inside edge of the machine's positioning hole, slot both shoulders of dust box onto rails, and then slide toward the outside.

Once the leading edge of the securing plate spring fits into the machine's securing hole, the dust box is loaded. (Fig. 9 & 10)

Secure table to trunnion using four hex bolts. (Fig. 11)

Pin is inserted at time of shipping, so please pull it out. (Fig. 12)

### Installing the guide rail (Fig. 13)

- Fasten the guide rail with four each thumb screws and washers to the table.

## FUNCTIONAL DESCRIPTION

### Switch action (Fig. 14)

#### ⚠ CAUTION:

- Before operation, make sure that the tool is turned on and off. The switch cover can be opened easily by sliding it upwards. To start the tool, press the ON (I) button. To stop it, press the OFF (O) button or the switch cover.

### Lighting up the lamps

Push the upper position (I) of the switch for turning on the light and the lower position (O) for off.

To start the tool, raise the switch lever. (Fig. 15)

To stop it, lower the switch lever.

### Push stick (Fig. 16)

The push stick serves as an extension of the hand and protects against accidental contact with the saw blade.

The push stick must always be used if the distance between band saw blade and a rip fence is less than 150 mm.

Guide the push stick at an angle of 20° ... 30° against the saw table's surface. (Fig. 17)

When the push stick is not used it can be stored on the push stick holder provided at the band saw frame.

Replace push stick if damaged.

### Miter gauge (Fig. 18)

The miter gauge is inserted into the table slot from the table's front edge.

For miter cuts the miter gauge turns to 60° in both directions.

For 45° and 90° miters positive stops are provided.

To set a miter angle: loosen lock handle by turning it counter-clockwise.

#### ⚠ WARNING:

**When cutting with the miter gauge the lock handle must be firmly tightened.**

The auxiliary fence can be taken off and reversed after loosening knob.

### Installing the Rip Fence (Fig. 19)

The rip fence can be used on both sides of the blade. When the rip fence is moved from one side of the saw blade to the other the fence needs to be reversed.

### Reversing the fence (Fig. 20)

1. Loosen knob (B) of the hold-down clamp.
2. Remove hold-down clamp from the fence.
3. Loosen knob (A).
4. Lift fence off the fence holder.
5. Reverse fence and slide back on the fence holder.
6. Tighten knob (A).
7. Slide hold-down clamp on the fence.

### Clamping the rip fence

1. Place rip fence on the guide rail.
2. Tighten the lock lever of the rip fence.
3. Loosen the knob (B) of the hold-down clamp.
4. Slide hold-down clamp against the rear table edge.
5. Tighten the knob (B).

Fence height can be lowered when cutting thin materials. (Fig. 21 & 22)

1. Loosen knob (B) of the hold-down clamp.
2. Remove hold-down clamp from the fence.
3. Loosen knob (A).
4. Lift fence off the fence holder.
5. Slide knob (A) away from fence to remove.
6. Rotate fence 90°.
7. Insert knob (A) into the other groove of the fence.
8. Return fence to fence holder.
9. Tighten knob (A).
10. Slide hold-down clamp on the fence.

When fence height has been lowered, the 0 (zero) point changes. If the rip fence is on the left side of the blade, slide the guide rail to the left to adjust to 0 point.

## ASSEMBLY

### Changing the band saw blade

#### ⚠ CAUTION:

- Contacting the band saw blade even with the band saw blade at standstill may cause a personal injury.
- Saw blade is dangerous.

Be sure to wear gloves when handling saw blade in situations such as removing from packaging, mounting or replacing blade.

1. Loosen the two thumb screws for the right-guide rail, and slide the right-side rail to the right. (Fig. 23)

2. Open the upper cover and lower cover on the tool. **(Fig. 24)**
3. Hold the handle and pull the dust cover upwards to remove. **(Fig. 25)**
4. Open the lower blade guard. **(Fig. 26)**
5. Set the upper blade guide to its lowest position.
6. Loosen quick release lever until the band saw blade has slackened. **(Fig. 27)**
7. To remove the band saw blade, guide it through.
  - the slot in the saw blade.
  - the blade guard on the upper blade guides.
  - the blade cover on the saw housing.
8. Fit a fresh band saw blade. Observe correct position: the teeth point towards the front (door) side of the saw.
9. Center band saw blade on the rubber tyres of the band saw wheels.
10. Tighten quick release lever until blade does no longer slip off the band saw wheels.
11. Close lower blade guard.

**⚠ CAUTION:**

Close lower cover only when the lower blade guard is in its closed position.

12. Return the right-guide rail to its original position. **(Fig. 28 & 29)**
13. Fit the dust cover.
14. Close both covers.
15. Then:
  - tension band saw blade (Refer to the section titled "Tensioning the band saw blade" in "FUNCTIONAL DESCRIPTION").
  - align band saw blade (Refer to the section titled "Aligning the band saw blade" "ASSEMBLY").
  - align blade guides (Refer to the section titled "Adjusting the upper blade guide" in "FUNCTIONAL DESCRIPTION").
  - let saw test run for at least one minute;
  - stop saw unplug and recheck settings.

### Cutting speed adjustment (Fig. 30)

1. Open the lower cover.
2. Slacken driving belt by turning the knob clockwise.
3. Put driving belt on the required pulley of the driving wheel (lower band saw wheel) and the corresponding motor pulley-note label inside the lower cover.

**⚠ CAUTION:**

The driving belt must run either on both front or both rear pulleys. Never have the V-belt run diagonally.

### Setting knob for belt tension (Fig. 31)

With the setting knob the belt tension is corrected if necessary:

- turning the setting knob clockwise reduces the driving belt tension.
- turning the setting knob counter-clockwise increases the driving belt tension.

Tighten the driving belt again by turning the knob counter-clockwise (half-way between the pulleys the driving belt should flex approx. 10 mm). **(Fig. 32)**

Close the lower cover.

## FUNCTIONAL DESCRIPTION

### Tensioning the Band saw Blade (Fig. 33)

**⚠ CAUTION:**

**Too much tension can cause the band saw blade to break. Too little tension can cause the driven band saw wheel to slip and the band saw blade to stop.**

1. Raise upper blade guide fully. Using the scale as guide, and taking the blade width into consideration, turn the knob to adjust tension. (After adjusting, check tension as shown in item 2.)
2. Checking the blade tension:
  - check tension by pushing with a finger, halfway between table and upper blade guide, against the side of the blade (the blade should flex not more than 1-2 mm).
  - check adjustment at the blade tension indicator. The scale indicates the correct adjustment in dependence on the band saw blade width.
3. Correct tension if necessary:
  - turning the setting knob clockwise increases the blade tension.
  - turning the setting knob counter-clockwise reduces the blade tension.

### Aligning the band saw blade (Fig. 34)

If the band saw blade does not run in the center of the rubber tyres, the tracking needs to be corrected by adjusting the tilt of the upper band saw wheel:

1. Loosen lock knob.
2. Manually rotate the upper wheel, taking care not to touch the blade.
3. Turn setting knob clockwise if the band saw blade runs towards the front of the saw.
  - turn setting knob counter-clockwise if the band saw blade runs toward the rear of the saw.
4. After adjusting, always close the lock knob. **(Fig. 35)**

### Quick release lever (Fig. 36)

With the quick release lever the saw blade tension is released.

Clockwise: Reduce tension

Counterclockwise: Increase tension

### Upper blade guide adjustment (Fig. 37)

The height of the upper blade guide needs to be adjusted: prior to every cutting/operation, to accommodate the height of the work piece (the upper blade guide should be set approx. 3 mm above the work piece);

- after adjustments of band saw blade or saw table (e.g. band saw blade change, tensioning of the band saw blade, saw table alignment).

**⚠ CAUTION:**

Before adjusting the upper blade guide and saw table tilt:

- switch machine OFF;
- wait until the band saw blade has come to a complete stop.

- Set upper blade guide with the adjusting knob to the desired height by loosening the lock knob. After adjustment be sure to tighten the lock nut.
- Never cut several work pieces at the same time — and also no bundles containing several individual pieces. Risk of personal injury if individual pieces are caught by the saw blade uncontrolled.

1. Loosen bolt C, and adjust bearing holder, so that guide bearing is positioned 1 or 2 mm from bottom of blade. (Fig. 38 - 40)
2. Loosen bolt A, and adjust thrust bearing to a position of 0.5 mm from rear of blade.
3. Loosen bolt B, and adjust guide bearing to a position 0.5 mm away from blade.

### Align the lower blade guide (Fig. 41)

The lower blade guide consists of:

- a thrust bearing (supporting the band saw blade from the rear).
- two guide bearings (providing lateral support).

These parts need to be readjusted after every band saw blade change or tracking adjustment:

#### Note:

Periodically check thrust bearings and guide bearings for wear, if necessary replace both guide bearings at the same time.

- Open lower cover door and the lower blade guard.
- Loosen hex bolt, move the entire lower blade guide, and adjust the guide bearing to a position of 1 or 2 mm from bottom of individual blade.

### Adjusting the thrust bearing

1. Loosen bolt A.
2. Adjust thrust bearing position (distance thrust bearing - band saw blade = 0.5 mm — if the band saw blade is turned by hand, it must not touch the thrust bearing).
3. Tighten bolt A.

### Adjusting the guide bearings (Fig. 42)

1. Loosen bolt B.
2. Set guide bearing against the band saw blade.
3. Turn the band saw wheel by hand in a clockwise direction several times to bring the guide bearings in correct position. Loosen bolt A, and adjust thrust bearing to a position of 0.5 mm from rear of blade. Both guide bearings should JUST TOUCH the band saw blade.
4. Tighten bolt B again.
5. Close lower blade guard.
6. Close the lower cover door.

### Aligning the saw table at right angles to the band saw blade (Fig. 43 & 44)

1. Raise upper blade guide fully (see "Operation").
2. Check band saw blade tension (see "FUNCTIONAL DESCRIPTION").  
Turn the handle clockwise to tilt the table in an anticlockwise direction, and turn the handle anticlockwise to tilt the table in a clockwise direction.
3. Loosen lock lever.
4. Using a try square, set the table at right angles to the blade by turning the handle to adjust the table, and tighten the lock lever again.
5. Adjust limit stop screw until it touches the saw housing.

### Operation (Fig. 45 & 46)

#### ⚠ Danger:

To reduce the risk of personal injury as much as possible, the following safety recommendations should be observed when operating the saw.

#### ⚠ CAUTION:

- Do not touch the saw blade when cutting.
- During saw operation, wear safety glasses, but do not wear gloves.

- Cut only one work piece at a time.
- Always hold the work piece down on the table.
- Do not jam any work pieces.
- Do not try to slow the band saw blade down or stop it by pushing the work piece against the saw blade from the side.
- When straight cutting against the fence use a push stick.
- If the type of work requires, use the following:
  - pushing stick — if distance rip fence - band saw blade  $\leq 150$  mm;
  - work support — for long stock, which would otherwise fall off the table on completion of the cut;
  - dust collector;
  - when cutting round stock, firmly secure material as shown in diagram.
  - a suitable guide for firm support when cutting thin stock layed on edge.
  - gloves for handling the saw band and rough material.
- Before starting work, check to see that the following are in proper working order:
  - band saw blade;
  - upper and lower blade guard.
- Replace damaged parts immediately.
- Assume correct work position (the band saw blade's teeth must point towards the operator).

### Sawing

#### ⚠ WARNING:

Risk of kickback (work piece is caught by the band saw blade and thrown against the operator.)

Do not jam any work piece.

- Select rip fence and table tilt for the type of cutting operation to be carried out.
- Set upper blade guide 3 mm above the work piece.

#### Note:

Always make a trial cut in a piece of scrap to verify settings, correct if necessary before cutting the work piece.

- Place work piece on the saw blade.
- Plug in.
- Start saw.
- Cut work piece in a single pass.
- Switch off if no further cutting is to be done immediately afterwards.
- Use separately retailed sub table.

### Saw table tilt (Fig. 47)

#### ⚠ CAUTION:

When bevel-cutting with the table inclined, place the guide on the lower part of the table.

After loosening the lock lever the saw table tilts steplessly through 47° against the blade.

Turn the handle clockwise to tilt the table in an anticlockwise direction, and turn the handle anticlockwise to tilt the table in a clockwise direction.

### Connecting to vacuum cleaner (Fig. 48 & 49)

Cleaner operations can be performed by connecting the tool to Makita vacuum cleaner or dust collector.

If a dust extractor is fitted to the large opening collector, rearrange dust collector to ensure it has a large opening.

### How to move machine (Fig. 50)

- Raise handle to enable movement of machine.

- During transportation the saw band guard should be fully down and close to the table.
- Do not use guarding for handling or transportation.

**⚠ CAUTION:**

- If handle is raised too high, the machine may topple over.

## MAINTENANCE

**⚠ CAUTION:**

- Always be sure that the tool is switched off and unplugged before attempting to perform inspection or maintenance.

**NOTICE:**

- Never use gasoline, benzine, thinner, alcohol or the like. Discoloration, deformation or cracks may result.

**Cleaning**

Clean out sawdust and chips from time to time. Carefully clean the blade guard and moving parts inside the band saw.

**Lubrication**

To keep the band saw in tip-top running condition, and to assure maximum service life, oil or grease the moving parts and rotating parts from time to time.

To reduce the emitted noise, always be sure that the blade is sharp and clean.

To maintain product SAFETY and RELIABILITY, repairs, any other maintenance or adjustment should be performed by Makita Authorized Service Centers, always using Makita replacement parts.

## ACCESSORIES

**⚠ CAUTION:**

- These accessories or attachments are recommended for use with your Makita tool specified in this manual. The use of any other accessories or attachments might present a risk of injury to persons. Only use accessory or attachment for its stated purpose. If you need any assistance for more details regarding these accessories, ask your local Makita Service Center.

- Band saw stand
- Hex wrench
- Rip fence
- Miter gauge
- Circular cutting attachment
- Extension table
- Belt sanding attachment

**For European countries only**

**Noise**

The typical A-weighted noise levels are  
 sound pressure level: 81 dB (A)  
 sound power level: 94 dB (A)  
 Uncertainty (K): 3 dB (A)

**Wear ear protection.**

These values have been obtained according to EN61029.

**EC Declaration of Conformity**

**We Makita Corporation as the responsible manufacturer**

**declare that the following Makita machine(s):**

Designation of Machine: Band Saw

Model No./ Type: LB1200F

are of series production and

**Conforms to the following European Directives:**

2006/42/EC

And are manufactured in accordance with the following standards or standardised documents:

EN61029

The EC-Type Examination Certificate No. M6A 10 05 26932 017

The EC-Type Examination was performed by:

TÜV SÜD Product Service GmbH, Zertifizierstelle,  
 Ridlerstraße 65, 80339 München, Germany  
 Identification No. 0123

The technical documentation is kept by our authorised representative in Europe who is:

Makita International Europe Ltd.,  
 Michigan, Drive, Tongwell,  
 Milton Keynes, Bucks MK15 8JD, England

25. 05. 2010



Tomoyasu Kato  
 Director

Makita Corporation  
 3-11-8, Sumiyoshi-cho,  
 Anjo, Aichi, JAPAN



# SVENSKA (Originalanvisningar)

## Förklaring till översikt bilderna

1. Hjul	28. Insexbult	56. Nedre sågbladsskydd
2. Övre skydd	29. Bladfjäder	57. Snabbtösningssspak
3. Lampströmbrytare	30. Fästhål	58. Nedre bandsågshjul
4. Strömbrytare	31. Positionshål	59. Motorremskiva
5. Parallellanslag	32. Sågbord	60. Drivrem
6. Nedre skydd	33. Insexbultar	61. Drivhjulets remskiva
7. Bärhandtag	34. Justerstycke	62. Ungefär 10mm
8. Dammlåda	35. Stift	63. Låsratt
9. Ratt (för spänning av sågblad)	36. Vingskruv	64. Inställningsratt
10. Ratt (för låsning av övre höljets dörr)	37. Löpskena	65. Styrlager
11. Ratt (för justering av sågbladsstyrning)	38. Strömbrytarlock	66. Bult A
12. Ratt (för låsning av sågbladsstyrningen)	39. OFF-strömbrytare (Av)	67. Styrlagrets avstånd längst ner från sågbladet
13. Övre sågbladsstyrning	40. ON-strömbrytare (På)	68. Bult C
14. Sågblad	41. ON (På)	69. Bult B
15. Ratt (för låsning av nedre höljets dörr)	42. Matarpinne	70. Lagerhållare
16. Ratt (för spänning av kilrem)	43. Geringsanslag	71. Axiallager
17. Drivrem	44. Låshandtag	72. Skruv
18. Stativ	45. Ratt	73. Mutter
19. Däck	46. Ratt (A)	74. Stor öppning för uppsamlare
20. Låsspak (för fästsättning av bordslutning)	47. Anslag	75. Liten öppning för uppsamlare
21. Dammutblås	48. Låsspak	76. Liten dammuppsamlare (monterad på huvudenheten)
22. (Snabbtösnings) spak	49. Anslagshållare	77. Stor dammuppsamlare (för byte)
23. Ratt (för justering av skärverktygets bana)	50. Ratt (B)	78. Skena
24. Grepp (för justering av bordslutning)	51. Nedhållande klämma	79. Kant
25. Ram	52. Vingskruvar	80. Insexbult
26. Handtag	53. Dammskydd	
27. Bricka	54. Sågblad	
	55. Såghölje	

## SPECIFIKATIONER

Modell	LB1200F	
Hjulstorlek	305 mm	
Max. sågkapacitet	165 mm	
Obelastat varvtal	Högt	840 min <sup>-1</sup> (50 Hz)/1 040 min <sup>-1</sup> (60 Hz)
	Lågt	420 min <sup>-1</sup> (50 Hz)/520 min <sup>-1</sup> (60 Hz)
Skärhastighet	Högt	13,3 m/s (800 m/min) (50 Hz)/16,7 m/s (1 000 m/min) (60 Hz)
	Lågt	6,7 m/s (400 m/min) (50 Hz)/8,3 m/s (500 m/min) (60 Hz)
Bladstorlek	Omkrets 2 240 mm x bredd 6 mm, 13 mm, 16 mm	
Mått	615 mm x 775 mm x 1 600 mm	
Sågbordsstorlek	560 mm x 400 mm	
Vikt	81,2 kg	

- På grund av vårt pågående program för forskning och utveckling kan dessa specifikationer ändras utan föregående meddelande.
- Specifikationerna kan variera mellan olika länder.
- Vikt i enlighet med EPTA-procedur 01/2003

### Symboler

END215-2

Följande visar de symboler som används för maskinen. Se till att du förstår dess innebörd innan du använder maskinen.



..... Läs bruksanvisningen.



..... Dra ut stickkontakten.



..... Bär skyddsglasögon.



..... Placera inte handen eller fingrarna nära sågbladet.



..... Gäller endast EU-länder.

Elektrisk utrustning får inte kastas i hushållssoporna!  
Enligt direktivet 2002/96/EG som avser äldre elektrisk

och elektronisk utrustning och dess tillämpning enligt nationell lagstiftning ska uttjänt elektrisk utrustning sorteras separat och lämnas till miljövänlig återvinning.

### Avsedd användning

Maskinen är avsedd för sågning i trä.

### Strömförsörjning

Maskinen får endast anslutas till elnät med samma spänning som anges på typplåten och med enfasig växelström. Den är dubbelisolerad i enlighet med europeisk standard och får därför också anslutas i ojordade vägguttag.

**⚠ VARNING:** Vid användning av elektriska maskiner ska grundläggande säkerhetsåtgärder, inklusive nedanstående, alltid följas för att minska risken för brand, elektrisk stöt och personskador. Läs alla dessa anvisningar innan du använder produkten och spara dem därefter.

## För säker drift:

- Håll arbetsplatsen ren.**  
Nedskräpade arbetsplatser och arbetsbänkar inbjuder till olyckor.
- Tänk på din arbetsmiljö.**  
Utsätt inte maskiner för regn. Använd inte maskiner i fuktiga eller blöta lokaler. Håll arbetsplatsen väl belyst. Använd inte maskiner där det finns risk för att de orsakar brand eller explosion.
- Elsäkerhet.**  
Undvik kroppskontakt med jordade ytor (som till exempel rör, element, spisar och kylskåp).
- Håll barn borta från arbetsplatsen.**  
Låt inte besökare vidröra maskinen eller förlängningskabeln. Alla besökare ska hållas borta från arbetsområdet.
- Förvara maskiner som inte används.**  
När maskinerna inte används ska de förvaras på en torr, hög eller låst och barnsäker plats.
- Forcera inte maskinen.**  
Den arbetar effektivare och säkrare om den får arbeta i den takt den är avsedd för.
- Använd rätt maskin.**  
Forcera inte små maskiner eller tillsatser att utföra arbete som är avsett för en starkare maskin. Använd inte maskiner för syften de inte är avsedda för. Cirkelsågar ska t ex inte användas för att såga trädgrenar eller trästockar.
- Klä dig rätt.**  
Bär inte löst sittande kläder eller smycken eftersom de kan fångas in av roterande delar. Gummihandskar och halkfria skor rekommenderas vid utomhusarbete. Använd skyddsmössa om du har långt hår.
- Använd skyddsglasögon och hörselskydd.**  
Bär också en ansiktsmask eller dammskydd om sliparbetet dammar.
- Anslut utrustning för dammsugning.**  
Om enheter för anslutning av dammsugning och renhållning finns, försäkra dig om att dessa ansluts och används på rätt sätt.
- Misshandla inte kabeln.**  
Bär aldrig maskinen i kabeln eller ryck ut den ur kontakten. Håll kabeln borta från värme, olja och vassa kanter.
- Fäst arbetsstycket.**  
Använd klämmor eller ett skruvstöd för att hålla fast arbetsstycket. Det är säkrare än att använda handen och det frigör båda händerna för att hålla i maskinen.
- Översträck inte.**  
Stå alltid stabilt och ha god balans.
- Underhåll maskiner med omsorg.**  
Håll sågverktyg vassa och rena för bättre och säkrare användning. Följ instruktionerna för smörjning och byte av tillbehör. Utför periodisk inspektion av maskinkabeln och låt en auktoriserad serviceverkstad byta ut den om den är skadad. Inspektera förlängningskabeln då och då och byt ut den om den är skadad. Håll handtagen torra, rena och fria från olja och smuts.

- Koppla ifrån maskiner.**  
När de inte används, före underhåll och vid byte av tillbehör såsom sågblad, bits och skärverktyg.
- Ta bort justeringsnycklar och skiftnycklar.**  
Gör det till en vana att kontrollera att nycklar och skiftnycklar är borttagna från maskinen innan du startar den.
- Undvik oavsiktlig start.**  
Bär inte en elansluten maskin med ett finger på strömbrytaren. Kontrollera att strömbrytaren är i OFF-läge vid elanslutning.
- Använd förlängningsledningar för utomhusbruk.**  
När maskinen används utomhus ska endast förlängningskablar för utomhusbruk användas.
- Var uppmärksam.**  
Fokusera på det du gör. Använd sunt förnuft. Arbeta inte med maskinen när du är trött.
- Titta efter skadade delar.**  
Före fortsatt användning av maskinen, ska ett skadat skydd eller annan del som är skadad, noggrant kontrolleras för att avgöra om den kommer att fungera korrekt och utför det arbete som den är avsedd för. Kontrollera inriktningen och rörligheten för rörliga delar, trasiga delar, montering och andra förhållanden som kan påverka användningen av maskinen. Ett skydd eller annan del som är skadad ska repareras ordentligt eller bytas ut av en auktoriserad serviceverkstad, om inte något annat anges i denna bruksanvisning. Låt en auktoriserad serviceverkstad byta ut trasiga strömbrytare. Använd inte maskinen om den inte går att starta eller stänga av den med strömbrytaren.
- Varning.**  
Att använda annat tillbehör eller annan tillsats, förutom de som rekommenderas i denna bruksanvisning eller i katalogen, kan innebära risk för personskada.
- Se till att en kvalificerad fackman utföra reparationer på din maskin.**  
Denna maskin är konstruerad i enlighet med tillämpliga säkerhetskrav. Reparationer ska endast utföras av kvalificerade personer och endast med reservdelar av originaltyp. I annat fall kan användaren utsättas för betydande fara.

## YTTERLIGARE SÄKERHETSREGLER FÖR MASKINEN

### SPARA DESSA ANVISNINGAR.

- Bär skyddsglasögon.**
- Använd inte maskinen i närheten av lättantändliga vätskor eller gaser.**
- Använd alltid ansiktsmask eller dammskydd.**
- Kontrollera sågbladet noga så att det inte finns sprickor eller skador före användningen. Byt omedelbart ut ett skadat eller sprucket sågblad.**
- Använd endast de sågblad som rekommenderas av tillverkaren och som överensstämmer med EN847-1.**
- Använd alltid de tillbehör som rekommenderas i denna bruksanvisning. Felaktiga tillbehör som till exempel en kapskiva kan orsaka skada om de används.**
- Välj passande sågblad för det material som skall sågas.**
- Använd inte sågblad som tillverkats av höghastighetsstål.**
- För att reducera störning ska du se till att sågbladet alltid är vasst och rengjort.**
- Såga inte i metall såsom spikar och skruvar. Sök igenom arbetsstycket efter spikar, skruvar eller andra främmande**

föremål och avlägsna dem från arbetsstycket innan arbetet påbörjas.

11. Avlägsna nycklar, avsågade delar etc. från sågbordet innan strömbrytaren slås på.
12. Bär ALDRIG handskar under användningen av maskinen.
13. Håll händerna borta från bladets såglinje.
14. Stå ALDRIG själv eller låt någon annan stå i sågbladets såglinje.
15. Låt maskinen vara igång en stund innan den används på arbetsstycket. Kontrollera att sågbladet inte vibrerar eller skakar vilket kan innebära att det är felaktigt monterat eller dåligt balanserat.
16. Byt ut bordsinsatsen när den är utsliten.
17. Anslut bandsågen till en damminsamlare enhet vid sågning av trä.
18. Använd inte maskinen när luckan eller sågbladskyddet är öppet.
19. Var noga med att val av sågblad och hastighet stämmer överens med det material som ska sågas.
20. Rengör inte sågbladet när det befinner sig i rörelse.

## MONTERING (Fig. 1 och 2)

### Fastsättning av bandsågsstativet

Om du under drift märker att bandsågen håller på att falla omkull, glida eller flytta sig, ska bandsågsstativet fästas vid golvet. (Fig. 3 - 7)

- Fäst handtaget och hjulen efter det att stativet är fastsatt. (Fig. 8)

### Hur dammlådan sätts i

Dammlådan monteras från undersidan av sågbordet. Vid isättningen ska bladfjädern föras in (för att fästa) vid kanten på insidan av maskinens positionshål, placera dammlådans två utskjutande kanter på skenorna och skjut den sedan mot utsidan. När den starka sidan av den fästade bladfjädern passar in i maskinens fästhål, är dammlådan monterad. (Fig. 9 och 10) Fäst sågbordet mot justerstycket med hjälp av fyra insexbultar. (Fig. 11)

Stiftet sätts i vid transport, så var god och dra ut det. (Fig. 12)

### Montering av löpskenan (Fig. 13)

- Fäst löpskenan med vardera fyra vingskruvar och brickor på sågbordet.

## FUNKTIONSBESKRIVNING

### Strömbrytarens funktion (Fig. 14)

#### ⚠ FÖRSIKTIGHET:

- Se till att maskinen slås på och av innan det används. Strömbrytarlocket kan lätt öppnas genom att skjuta det uppåt. Tryck på knappen ON (I) för att starta maskinen. Tryck på knappen OFF (O) eller på strömbrytarlocket för att stoppa den.

### Tända lamporna

Tryck på strömbrytarens övre del (I) för att tända lampan och på den undre delen (O) för att släcka den.

Höj strömbrytarens reglage för att starta maskinen. (Fig. 15)

Sänk strömbrytarens reglage för att stoppa maskinen.

### Matarpinne (Fig. 16)

Matarpinnen används som en förlängning av handen och skyddar mot oavsiktlig kontakt med sågbladet.

Matarpinnen måste alltid användas om avståndet mellan bandsågbladet och parallellanslaget är mindre än 150 mm.

Väglad matarpinnen till en vinkel av 20° ... 30° mot sågbordets yta. (Fig. 17)

När matarpinnen inte används kan den förvaras i dess hållare som sitter på bandsågsramen.

Byt ut matarpinnen om den är skadad.

### Geringsanslag (Fig. 18)

Geringsanslaget förs in i sågbordets skåra från framkanten av sågbordet.

För geringsågning vrids geringsanslaget till 60° i båda riktningarna.

45° och 90° vinkel är försedda med fasta geringsstopp.

För att ställa in en geringsvinkel: lossa låshandtaget genom att vrida det moturs.

#### ⚠ VARNING:

Vid sågning med geringsanslag måste låshandtaget vara ordentligt åtdraget.

Hjälpanslaget kan tas bort och vändas på efter att ratten lossats.

### Montering av parallellanslag (Fig. 19)

Parallellanslaget kan användas på båda sidor om sågbladet. När parallellanslaget flyttas från ena sida av sågbladet till den andra måste du vända på anslaget.

### Vända anslaget (Fig. 20)

1. Lossa ratten (B) för den nedhållande klämman.
2. Ta bort den nedhållande klämman från anslaget.
3. Lossa ratten (A).
4. Ta ur anslaget ur dess hållare.
5. Vänd på anslaget och skjut tillbaka det på anslagshållaren.
6. Dra åt ratten (A).
7. Skjut på den nedhållande klämman på anslaget.

### Fastsättning av parallellanslaget

1. Placera parallellanslaget på löpskenan.
2. Dra åt parallellanslagets låsspak.
3. Lossa ratten (B) för den nedhållande klämman.
4. Skjut den nedhållande klämman mot sågbordets bakre kant.
5. Dra åt ratten (B).

Anslagshöjden kan sänkas vid sågning av tunna material. (Fig. 21 och 22)

1. Lossa ratten (B) för den nedhållande klämman.
2. Ta bort den nedhållande klämman från anslaget.
3. Lossa ratten (A).
4. Ta ur anslaget ur dess hållare.
5. Skjut bort ratten (A) från anslaget som ska tas bort.
6. Vrid anslaget 90°.
7. Sätt i ratten (A) i det andra anslagsspåret.
8. För tillbaka anslaget till anslagshållaren.
9. Dra åt ratten (A).
10. Skjut på den nedhållande klämman på anslaget.

När anslagshöjden har sänkts ändras 0-punkten (noll). Om parallellanslaget sitter på vänster sida om sågbladet ska löpskenan skjutas till vänster för att justera 0-punkten.

# MONTERING

## Byte av bandsågbladet

### ⚠ FÖRSIKTIGHET:

- Kontakt med bandsågbladet även när det står stilla kan orsaka personskada.
  - Sågbladet är farligt.  
Använd alltid handskar när du hanterar sågblad i situationer som när du tar bort sågbladet från förpackningen, eller monterar eller byter bladet.
1. Lossa de två vingskruvarna för den högra löpskenan och skjut den åt höger. (Fig. 23)
  2. Öppna det övre och det nedre skyddet på maskinen. (Fig. 24)
  3. Håll i handtaget och dra dammskyddet uppåt för att ta bort det. (Fig. 25)
  4. Öppna det nedre bladskyddet. (Fig. 26)
  5. Ställ in den övre sågbladsstyrningen till dess lägsta position.
  6. Lossa snabbutlösningsspaken tills bandsågbladet har slaknat. (Fig. 27)
  7. För att ta bort bandsågbladet leder du det genom
    - spåret i sågbordet.
    - bladskyddet på de övre sågbladsstyrningarna.
    - sågbladsskyddet på såghöljet.
  8. Passa in ett nytt bandsågblad. Uppmärksamma rätt position: sågtänderna ska peka mot framsidan (dörr) av sågen.
  9. Centra bandsågbladet på gummihjulen för bandsågshjulen.
  10. Dra åt snabbutlösningsspaken tills sågbladet inte längre glider av bandsågshjulen.
  11. Stäng det nedre sågbladsskyddet.

### ⚠ FÖRSIKTIGHET:

Stäng endast det nedre skyddet när det nedre sågbladsskyddet är i dess stängda läge.

12. För tillbaka den högra löpskenan till sitt ursprungliga läge. (Fig. 28 och 29)
13. Sätt i dammskyddet.
14. Stäng båda skydden.
15. Därefter:
  - spänn bandsågbladet (se avsnittet med rubriken "Spänn bandsågbladet" under "FUNKTIONSBESKRIVNING").
  - rikta in bandsågbladet (se avsnittet med rubriken "Inriktning av bandsågbladet" "MONTERING").
  - rikta in sågbladsstyrningarna (se avsnittet med rubriken "Justering av den övre sågbladsstyrningen" under "FUNKTIONSBESKRIVNING").
  - låt sågtestet köra i åtminstone en minut.
  - stoppa sågen, dra ut elkabeln och kontrollera inställningarna på nytt.

## Justering av såghastigheten (Fig. 30)

1. Öppna det nedre skyddet.
2. Låt drivremmen släppa efter genom att vrida ratten medurs.
3. Placera drivremmen på drivhulets remskiva (det nedre bandsåghjulet) och den motsvarande motordrivremmen-observera anmärkningsetiketten på insidan av det nedre skyddet.

### ⚠ FÖRSIKTIGHET:

Drivremmen måste löpa antingen på båda remskivorna i fram eller båda i bak. Låt aldrig kilremmen löpa diagonalt.

## Inställningsratt för remspänningen (Fig. 31)

Med inställningsratten kan remspänningen justeras vid behov:

- genom att vrida inställningsratten medurs minskar drivremsspänningen.
- genom att vrida inställningsratten moturs ökar drivremsspänningen.

Spänn drivremmen igen genom att vrida ratten moturs (halvvägs mellan remskivorna ska drivremmen röra sig ungefär 10 mm).

### (Fig. 32)

Stäng det nedre skyddet.

# FUNKTIONSBESKRIVNING

## Spänn bandsågbladet (Fig. 33)

### ⚠ FÖRSIKTIGHET:

**För hårt spänt kan leda till att bandsågbladet går sönder. För lite spänt kan orsaka att drivremmens såghjul glider och bandsågbladet stoppar.**

1. Höj upp den övre sågbladsstyrningen helt.  
Vrid ratten för att justera spänningen och använd skalan som guide samt ta med bladets bredd i beräkningen. (Kontrollera spänningen såsom visas i figur 2 efter justeringen.)
2. Kontrollera sågbladsspänningen:
  - genom att trycka med ett finger, halvvägs mellan sågbordet och den övre sågbladsstyrningen, mot sågbladets sida (sågbladet får inte böja sig mer än 1-2 mm).
  - genom att kontrollera justeringen på indikatorn för sågbladsspänning. Skalan indikerar den korrekta justeringen beroende på bandsågbladets bredd.
3. Korrigera spänningen vid behov:
  - genom att vrida inställningsratten medurs ökar sågbladsspänningen.
  - genom att vrida inställningsratten moturs minskar sågbladsspänningen.

## Inriktning av bandsågbladet (Fig. 34)

Om bandsågbladet inte löper i mitten av gummihjulen måste spårningen korrigeras genom att justera lutningen av det övre bandsåghjulet:

1. Lossa låsratten.
2. Vrid det övre hjulet manuellt och var försiktig så att du inte vidrör sågbladet.
3. Vrid inställningsratten medurs om bandsågbladet löper mot sågens framsida.
  - Vrid inställningsratten moturs om bandsågbladet löper mot sågens baksida.
4. Stäng alltid låsratten efter justeringen. (Fig. 35)

## Snabbutlösningsspak (Fig. 36)

Med snabbutlösningsspaken släpper sågbladsspänningen.

Medurs: minskar spänningen

Moturs: ökar spänningen

## Justering av den övre sågbladsstyrningen (Fig. 37)

Höjden för den övre sågbladsstyrningen behöver justeras: före varje sågning/arbete för att ställa in arbetsstyckets höjd (den övre sågbladsstyrningen ska vara inställd på ungefär 3 mm över arbetsstycket).

- efter justeringen av bandsågbladet eller sågbordet (t ex vid byte av bandsågbladet, spänning av bandsågbladet eller vid inriktning av sågbordet).

### ⚠ FÖRSIKTIGHET:

Före justeringen av den övre sågbladsstyrningen och sågbordslutningen:

- stäng av maskinen (OFF).

- vänta tills bandsågbladet har stannat helt.

- Ställ in den övre sågbladsstyrningen med justeringsratten till önskad höjd, genom att lossa låsratten. Var noga med att dra åt låsmuttern efter justeringen.
  - Såga aldrig flera arbetsstycken på samma gång - inte heller buntar som består av flera separata stycken. Det finns risk för personskada om separata stycken okontrollerat fångas upp av sågbladet.
1. Lossa bult C och justera lagerhållaren så att styrlagret är placerat 1 eller 2 mm från sidan av sågbladet. (Fig. 38 - 40)
  2. Lossa bult A och justera axiallagret till ett läge av 0,5 mm från sågbladets baksida.
  3. Lossa bult B och justera styrlagret till ett läge av 0,5 mm bort från sågbladet.

### Inriktning av den nedre sågbladsstyrningen (Fig. 41)

Den nedre sågbladsstyrningen består av:

- ett axiallager (som stödjer bandsågbladet bakifrån).
- två styrlager (som ger sidostöd).

Dessa delar behöver justeras på nytt efter varje ändring av bandsågbladet eller spårjustering.

#### OBS:

Kontrollera axiallagren och styrlagren då och då för slitage och byt ut båda styrlagren samtidigt vid behov.

- Öppna dörren för det nedre skyddet och det nedre sågbladsskyddet.
- Lossa insexbulten, flytta hela nedre sågbladsstyrningen och justera styrlagret till en position 1 eller 2 mm från nederdelen av individuella blad.

### Justering av axiallagret

1. Lossa bult A.
2. Justera axiallagrets läge (avståndet mellan axiallagret - bandsågbladet = 0,5 mm - om bandsågbladet vrids för hand får det inte vidröra axiallagret).
3. Dra åt bult A.

### Justering av styrlagren (Fig. 42)

1. Lossa bult B.
2. Placera styrlagret mot bandsågbladet.
3. Vrid bandsåghjulet för hand i medurs riktning flera gånger för att föra styrlagren i rätt läge. Lossa bult A och justera axiallagret till ett läge av 0,5 mm från sågbladets baksida. Båda styrlagren ska PRECIS NUDDA bandsågbladet.
4. Dra åt bult B igen.
5. Stäng det nedre sågbladsskyddet.
6. Stäng dörren för det nedre skyddet.

### Rikta in sågbordet i räta vinklar mot bandsågbladet (Fig. 43 och 44)

1. Höj upp den övre sågbladsstyrningen helt (se "Drift").
2. Kontrollera bandsågbladets spänning (se "FUNKTIONSBESKRIVNING").  
Vrid handtaget medurs för att luta sågbordet i moturs riktning och vrid handtaget moturs för att luta sågbordet i medurs riktning.
3. Lossa låsspaken.
4. Använd en vinkelhake, ställ in sågbordet i räta vinklar till sågbladet genom att vrida handtaget för att justera sågbordet och dra sedan åt låsspaken igen.
5. Justera stoppskraven tills den vidrör såghöljet.

### Drift (Fig. 45 och 46)

#### ⚠ FARA:

För att minska risken för personskador så mycket som möjligt ska följande säkerhetsrekommendationer iakttas vid användning av sågen.

#### ⚠ FÖRSIKTIGHET:

- Vidrör inte sågbladet när det arbetar.
- Använd skyddsglasögon men inte handskar vid sågning.
- Såga endast ett arbetsstycke åt gången.
- Håll alltid arbetsstycket ner mot sågbordet.
- Pressa inte något arbetsstycke.
- Försök inte att sakta ner bandsågbladet eller stoppa det genom att trycka arbetsstycket mot sågbladet från sidan.
- Använd en matarpinne vid raksågning mot anslaget.
- Om typen av arbete kräver det, använd följande:
  - matarpinne - om avståndet mellan parallellanslaget - bandsågbladet är  $\leq 150$  mm.
  - stöd för arbetsstycke - för långa stockar vilka annars skulle falla av sågbordet vid sågningens avslut.
  - dammuppsamlare.
  - vid sågning av rund stock, fäst materialet ordentligt enligt bilden.
  - ett lämpligt guide för stabilt stöd vid sågning av ett tunt trästycke som ligger på kanten.
  - handskar för att hantera sågbladet och grovt material.
- Innan du börjar arbeta ska du kontrollera att följande fungerar:
  - bandsågbladet.
  - övre och nedre sågbladsskyddet.
- Byt ut skadade delar omgående.
- Anta korrekt arbetsställning (sågtänderna måste peka mot användaren).

### Sågning

#### ⚠ VARNING:

Risk för bakåtkast (arbetsstycket fångas av bandsågbladet och kastas mot användaren).

Pressa inte något arbetsstycke.

- Välj parallellanslag och sågbordslutning för den typ av sågning som ska utföras.
- Ställ in den övre sågbladsstyrningen 3 mm ovanför arbetsstycket.

#### OBS:

Utför alltid en provsågning i ett överbliven stycke för att kontrollera inställningarna och korrigerar vid behov innan du sågar arbetsstycket.

- Placera arbetsstycket vid sågbladet.
- Anslut sågen till eluttaget.
- Starta sågen.
- Såga arbetsstycket i en enda rörelse.
- Dra ut elkontakten om inte fler sågningar ska utföras direkt efter varandra.
- Använd separat inköpt underbord.

### Sågbordslutning (Fig. 47)

#### ⚠ FÖRSIKTIGHET:

Vid snedsågning på lutande sågbord ska styrningen placeras på sågbordets nedre del.

Efter att du har lossat låsspaken lutar sågbordet steglöst till 47° mot sågbladet.

Vrid handtaget medurs för att luta sågbordet i moturs riktning, och vrid handtaget moturs för att luta sågbordet i medurs riktning.

## Anslutning till en dammsugare (Fig. 48 och 49)

Renare arbete kan utföras genom att ansluta maskinen till en dammsugare eller dammuppsamlare från Makita.

Om en dammsugare fästs på den stora öppningen för uppsamlare, ändra dammuppsamlaren så att den har en stor öppning.

## Hur maskinen flyttas (Fig. 50)

- Lyft handtaget för att möjliggöra förflyttning av maskinen.
- Under transport ska sågbandsskyddet vara helt nerfällt och nära bordet.
- Greppa inte i skyddet när du hanterar eller flyttar maskinen.

### ⚠ FÖRSIKTIGHET:

- Om handtaget lyfts för högt kan maskinen tippa över.

## UNDERHÅLL

### ⚠ FÖRSIKTIGHET:

- Se alltid till att maskinen är avstängd och att stickkontakten är utdragen ur eluttaget innan inspektion eller underhåll utförs.

### OBS:

- Använd inte bensin, thinner, alkohol eller liknande. Missfärgning, deformation eller sprickor kan uppstå.

### Rengöring

Torka då och då bort damm och sågspån. Rengör noggrant bladskyddet och rörliga delar inuti bandsågen.

### Smörjning

Olja eller fetta in rörliga och roterande delar då och då för att hålla maskinen i trim och för att säkerställa maskinens maximala livslängd.

För att minska ljudet ska du se till att sågbladet alltid är vasst och rengjort.

För att upprätthålla produktens SÄKERHET och TILLFÖRLITLIGHET bör reparationer och allt underhålls- och justeringsarbete utföras av ett auktoriserat Makita servicecenter och alltid med reservdelar från Makita.

## TILLBEHÖR

### ⚠ FÖRSIKTIGHET:

- Följande tillbehör eller tillsatser rekommenderas för användning med den Makita-maskin som denna bruksanvisning avser. Att använda andra tillbehör eller tillsatser kan orsaka personskador. Använd endast tillbehör eller tillsatser för avsett ändamål. Kontakta ditt lokala Makita servicecenter om du behöver ytterligare information om dessa tillbehör.

- Bandsågsstativ
- Insexnyckel
- Parallellanslag
- Geringsanslag
- Cirkelsågtillsats
- Förlängningsbord
- Bandsliptillsats

## Gäller endast Europa

### Buller

Normala A-vägda bullernivåer är

ljudtrycksnivå: 81 dB (A)

ljudeffektsnivå: 94 dB (A)

Måttolerans (K): 3 dB (A)

### Bär hörselskydd.

Dessa värden är inhämtade i enlighet med EN61029.

### EU-deklaration om överensstämmelse

**Vi Makita Corporation som ansvarig tillverkare deklarerar här med att följande maskin(er) från Makita:**

Maskinbeteckning: Bandsåg

Modellnr./typ: LB1200F

ingår i serieproduktion och

**uppfyller följande Europeiska direktiv:**

2006/42/EU

Och är tillverkade enligt följande standarder eller standardiseringsdokument:

EN61029

EU:s typgodkännande enligt intyg nr.: M6A 10 05 26932 017

EU:s typgodkännande utfördes av:

TÜV SÜD Product Service GmbH, Zertifizierstelle,

Ridlerstraße 65, 80339 München, Germany

Identifikationsnr. 0123

Den tekniska dokumentationen förs av vår auktoriserade representant i Europa som är:

Makita International Europe Ltd.,

Michigan, Drive, Tongwell,

Milton Keynes, Bucks MK15 8JD, England

25. 05. 2010



Tomoyasu Kato

Direktör

Makita Corporation

3-11-8, Sumiyoshi-cho,

Anjo, Aichi, JAPAN

# NORSK (Originalinstruksjoner)

## Forklaring til oversikten

1. Hjul	26. Håndtak	54. Sagblad
2. Øvre deksel	27. Skive	55. Sagkabinett
3. Lysbryter	28. Sylinderskrue med sekskanthull	56. Nedre bladvern
4. Bryter	29. Bladfjær	57. Hurtigkoblingshendel
5. Parallellanlegg	30. Sikringshull	58. Nedre båndsaghjul
6. Nedre deksel	31. Posisjoneringshull	59. Motorreimskive
7. Bærehåndtak	32. Bord	60. Drivreim
8. Sponkasse	33. Sekskantskruer	61. Reimskive på drivhjulet
9. Knapp (for stramming av bladet)	34. Dreietapp	62. Ca. 10 mm
10. Knapp (for sikring av den øvre kabinett døren)	35. Pinne	63. Sperreknapp
11. Knapp (for justering av bladføringen)	36. Fingerskrue	64. Justeringsknapp
12. Knapp (for sikring av bladføringen)	37. Føringskinne	65. Føringslager
13. Øvre bladføring	38. Deksel for bryter	66. Bolt A
14. Blad	39. AV-bryter	67. Avstand til føringslageret, målt fra bunnen av bladet
15. Knapp (for sikring av den nedre kabinett døren)	40. PÅ-bryter	68. Bolt C
16. Knapp (for stramming av V-reimen)	41. PÅ	69. Bolt B
17. Drivreim	42. Skyvepinne	70. Lagerholder
18. Understell	43. Gjæringsmåler	71. Aksiallager
19. Dekk	44. Låsehåndtak	72. Skruer
20. Låsehendel (for sikring av bordhellingen)	45. Knapp	73. Mutter
21. Utløp for støvavsug	46. Knapp (A)	74. Samler med stor åpning
22. (Hurtigkoblings-)hendel	47. Anlegg	75. Samler med liten åpning
23. Knapp (for justering av skjæreverktøysporet)	48. Sperrehendel	76. Lite støvfilter (montert på hovedenheten)
24. Grep (for justering av bordhellingen)	49. Anleggsholder	77. Stort støvfilter (for omkobling)
25. Ramme	50. Knapp (B)	78. Skinne
	51. Holdetvinge	79. Skulder
	52. Fingerskrue	80. Sekskantskrue
	53. Støvdeksel	

## SPESIFIKASJONER

Modell	LB1200F	
Hjulstørrelse	305 mm	
Maksimal sagekapasitet	165 mm	
Ubelastet turtall	Høy	840 min <sup>-1</sup> (50 Hz)/1 040 min <sup>-1</sup> (60 Hz)
	Lav	420 min <sup>-1</sup> (50 Hz)/520 min <sup>-1</sup> (60 Hz)
Kappehastighet	Høy	13,3 m/s (800 m/min) (50 Hz)/16,7 m/s (1 000 m/min) (60 Hz)
	Lav	6,7 m/s (400 m/min) (50 Hz)/8,3 m/s (500 m/min) (60 Hz)
Bladstørrelse	Omkrets 2 240 mm x bredde 6 mm, 13 mm, 16 mm	
Generelle mål	615 mm x 775 mm x 1 600 mm	
Bordstørrelse	560 mm x 400 mm	
Nettovekt	81,2 kg	

- Som følge av vårt kontinuerlige forsknings- og utviklingsprogram kan de tekniske dataene endres uten ytterligere forvarsel.
- Tekniske data kan variere fra land til land.
- Vekt i henhold til EPTA-prosedyre 01/2003

### Symboler

END215-2

Nedenfor ser du symbolene som brukes for dette verktøyet. Forsikre deg om at du forstår hva de betyr, før du begynner å bruke verktøyet.



..... Les bruksanvisningen.



..... Trekk støpselet ut av stikkontakten.



..... Bruk vernebriller.



..... Ikke legg hender eller fingre nær sagbladet.



..... Kun for EU-land  
Kast aldri elektroutstyr i husholdningsavfallet!

I henhold til EU-direktiv 2002/96/EF om kasserte elektriske og elektroniske produkter og direktivets iverksetting i nasjonal rett, må elektroutstyr som ikke lenger skal brukes, samles separat og returneres til et miljøvennlig gjenvinningsanlegg.

### Riktig bruk

Verktøyet er beregnet på kutting i tre.

### Strømforsyning

Maskinen må bare kobles til en strømkilde med samme spenning som vist på typeskiltet, og kan bare brukes med enfase-vekselstrømforsyning. Det er dobbelt verneisoleret i samsvar med europeiske standarder, og kan derfor også brukes i kontakter uten jordledning.

# SIKKERHETSANVISNINGER

ENA001-2

**⚠ ADVARSEL:** Når du bruker elektriske verktøy må du alltid følge de grunnleggende sikkerhetsanvisningene, inklusive de nedenstående. Dette vil redusere faren for brann, elektrisk støt og helseskader. Les alle anvisningene før du bruker produktet, og oppbevar anvisningene for fremtidig bruk.

## Av hensyn til sikker bruk:

- 1. Hold arbeidsplassen ren.**  
Rotete områder og benker innbyr til helseskader.
- 2. Tenk over arbeidsmiljøet.**  
Elektroverktøy skal aldri utsettes for regn. Ikke bruk elektroverktøy på fuktige eller våte steder. Hold arbeidsplassen godt opplyst. Ikke bruk elektroverktøy på steder hvor det er fare for brann eller eksplosjon.
- 3. Beskyttelse mot elektrisk støt.**  
Unngå kroppskontakt med jordede overflater (f.eks. rør, radiatorer, komfyrer og kjøleskap).
- 4. Hold barn på avstand.**  
Ikke la besøkende berøre verktøyet eller skjøteledningen. Hold uvedkommende unna arbeidsområdet.
- 5. Oppbevare verktøy som ikke er i bruk.**  
Elektroverktøy som ikke er i bruk bør oppbevares tørt og høyt eller innelåst, slik at de er utilgjengelige for barn.
- 6. Ikke bruk makt på verktøyet.**  
Det vil gjøre jobben bedre og sikrere i den hastigheten det er konstruert for.
- 7. Bruk riktig verktøy.**  
Ikke bruk små verktøy eller underdimensjonert tilbehør til det som er en jobb for en kraftig maskin. Ikke bruk verktøyene for andre formål enn de som er tiltenkt. Bruk for eksempel aldri en sirkelsag til å kutte trekubber eller tykke greiner.
- 8. Bruk riktig arbeidstøy.**  
Ikke bruk løse klær eller smykker, da disse kan sette seg fast i bevegelige deler. Når du arbeider utendørs, bør du bruke gummihansker og sklisikkert fottøy. Bruk beskyttende hårnnett for å holde på langt hår.
- 9. Bruk beskyttelsesbriller og hørselsvern.**  
Bruk en ansiktsmaske eller støvmaske hvis kuttingen resulterer i mye støv.
- 10. Koble til et støvavsug.**  
Hvis støvavsug og utstyr for støvoppsamling er tilgjengelig, må disse være tilkoblet og brukes riktig.
- 11. Ikke utsett strømkabelen for feilaktige belastninger.**  
Bær aldri maskinen etter kabelen, og rykk aldri i kabelen for å trekke den ut av stikkkontakten. Hold kabelen unna varme, olje og skarpe kanter.
- 12. Sikker arbeidsmåte.**  
Bruk klemmer eller en skrustikke til å holde fast arbeidsstykket. Det er tryggere enn å bruke hånden, og det gir deg begge hender fri til å bruke maskinen.
- 13. Ikke len deg over verktøyet.**  
Pass på alltid å være i balanse og ha godt fotfeste.
- 14. Vedlikehold verktøyet nøye.**  
Hold skjærende verktøy skarpe og rene, så de kan yte sitt beste. Følg instruksjonene for smøring og skifting av tilbehør. Inspiser verktøykabelen med jevne mellomrom, og få den reparert av et autorisert serviceverksted hvis den er skadet. Inspiser skjøteledningene med jevne mellomrom og skift dem ut hvis de er skadet. Hold håndtakene tørre, rene og fri for olje og smørefett.
- 15. Koble fra verktøy.**  
Når verktøyet ikke er i bruk, før servicearbeid og ved skifting av tilbehør som f.eks. blad, bits og kuttere.

- 16. Fjern justeringsnøkler og fastnøkler.**  
Gjør det til en vane å sjekke at nøkler og justeringsverktøy er fjernet fra maskinen før du slår den på.
- 17. Unngå utilsiktet start.**  
Aldri ha en finger på bryteren når du bærer et tilkoblet verktøy. Pass på at bryteren står i AV-posisjon når du kobler til verktøyet.
- 18. Skjøteledninger for utendørs bruk.**  
Når verktøyet brukes utendørs, er det viktig at du kun bruker spesialskjøteledningene for utendørs bruk.
- 19. Vær oppmerksom.**  
Pass på hva du gjør. Bruk sunn fornuft. Ikke bruk maskinen når du er trøtt.
- 20. Kontroller skadde deler.**  
Før videre bruk av maskinen må du foreta en grundig sjekk av evt. skadde deler, som vern eller liknende, for å fastslå om de vil fungere som de skal og fylle sin tiltenkte funksjon. Kontroller at bevegelige deler beveger seg riktig i forhold til hverandre, at bevegelige deler kan bevege seg fritt, om noen deler er brukket, om monteringen er som den skal, eller om andre forhold kan påvirke driften av maskinen. Et vern eller en annen del som er skadet, må repareres ordentlig eller skiftes av et autorisert servicesenter, med mindre det står noe annet i denne bruksanvisningen. Sørg for at defekte brytere skiftes av et autorisert serviceverksted. Ikke bruk verktøyet hvis det ikke kan slås på og av med startbryteren.
- 21. Advarsel.**  
Bruk av tilbehør eller verktøy som ikke er anbefalt i denne bruksanvisningen eller i katalogen kan utgjøre en risiko for helseskader.
- 22. La en kvalifisert reparatør reparere maskinen din.**  
Dette elektroverktøyet er konstruert i overensstemmelse med de relevante sikkerhetskravene. Reparasjoner må kun utføres av kvalifiserte personer som bruker originale reservedeler, da det ellers kan være betydelig fare for brukers helse.

## YTTERLIGERE SIKKERHETSREGLER FOR MASKINEN

### TA VARE PÅ DISSE INSTRUKSJONENE.

- 1. Bruk alltid beskyttelsesbriller.**
- 2. Ikke bruk verktøyet i nærheten av brennbare væsker eller gasser.**
- 3. Bruk alltid ansiktsmaske eller støvmaske.**
- 4. Før du begynner å bruke maskinen, må du kontrollere nøye at bladet ikke har sprekker eller andre skader. Skift ut sprukne eller ødelagte blader omgående.**
- 5. Bruk kun sagblader som anbefales av produsenten og som er i samsvar med EN847-1.**
- 6. Bruk alltid utstyr anbefalt i denne håndboken. Bruk av upassende utstyr (f.eks. slipende kappeskiver) kan føre til personskader.**
- 7. Velg riktig sagblad for materialet som skal skjæres.**
- 8. Bruk aldri sagblader som er laget av høyhastighetsstål.**
- 9. For å redusere lydutslipp, forsikre deg om at bladet alltid er skarpt og rent.**
- 10. Ikke skjær metallobjekter som f.eks. spikere og skruer. Se etter og fjern all spikere og andre fremmedlegemer fra arbeidsstykket før arbeidet påbegynnes.**
- 11. Fjern skiffenøkler, avkapp, osv. fra bordet før du slår på bryteren.**



12. **ALDRI ha på deg hansker når du bruker verktøyet.**
13. **Hold hendene unna banen til sagbladet.**
14. **Du må ALDRI stå eller la andre stå i linje med banen til sagbladet.**
15. **Før du begynner å bruke maskinen på et arbeidsstykke, bør du la den gå en liten stund. Se etter vibrasjoner eller vingling som kan tyde på at bladet er dårlig balansert.**
16. **Skift ut bordinnlegget når det begynner å bli slitt.**
17. **Koble båndsagen til en sponsamler når du sager tre.**
18. **Ikke bruk sagen når døren eller vernet som beskytter sagbåndet er åpent.**
19. **Pass på at du velger korrekt sagbånd og hastighet for materialet som skal kuttes.**
20. **Ikke rengjør sagbåndet mens det er i bevegelse.**

## INSTALLERING (Fig. 1 og 2)

### Bolte fast understellet

Hvis der er tendenser til at båndsagen får overbalanse, glir eller forflytter seg når den brukes, må understellet boltes til gulvet.

(Fig. 3 - 7)

- Når understellet er satt på, fester du på håndtaket og dekkene. (Fig. 8)

### Laste sponkassen

Sponkassen lastes fra undersiden av bordsagen. Under lastingen setter du inn bladfjæren (for sikring) i den innvendige kanten av maskinens posisjoneringshull. Sett begge skuldrene på støvkassen inn på skinnene, og skyv utover.

Når den fremre kanten av sikringsplatefjæren er korrekt satt inn i verktøyets sikringshull, lastes sponkassen. (Fig. 9 og 10)

Feste bordet til dreietappen ved hjelp av fire sekskantmutre. (Fig. 11)

Trekk ut pinnen som ble satt inn ved transporten. (Fig. 12)

### Installere føringsvernet (Fig. 13)

- Føringsvernet festes til bordet ved hjelp av fire fingerskruer og skiver.

## FUNKSJONSBEKRIVELSE

### Bryterfunksjon (Fig. 14)

**⚠ FORSIKTIG:**

- Pass på at verktøyet slås av og på før du bruker det.
- Bryterdekslet åpnes ganske enkelt ved at du skyver det oppover. Trykk PÅ (I)-knappen for å starte verktøyet.
- Trykk AV (O)-knappen eller bryterdekslet for å stanse verktøyet.

### Slå på lampene

Trykk på den øvre delen (I) av lampebryteren for å slå på lyset og på den nedre (O) for å slå det av.

Løft startbryteren for å starte maskinen. (Fig. 15)

Senk startbryteren for å stanse maskinen.

### Skyvepinne (Fig. 16)

Skyvepinnen fungerer som en forlengelse av hånden og beskytter mot utilsiktet kontakt med sagbladet.

Skyvepinnen må alltid brukes hvis avstanden mellom båndsagbladet og parallellanlegget er mindre enn 150 mm. Før inn skyvepinnen i en vinkel på 20° ... 30° mot sagbordets overflate. (Fig. 17)

Når skyvepinnen ikke er i bruk, kan den oppbevares i skyvepinneholderen på rammen av båndsagen. Hvis skyvepinnen er skadet, må den byttes ut.

### Gjæringsmåler (Fig. 18)

Gjæringsmåleren settes inn i bordsporet fra den fremre kanten av bordet.

Ved gjæringskutt kan gjæringsmåleren dreies 60° i begge retninger.

Positive stopp for gjæringsvinkler på 45° og 90° er tilgjengelig. Angi en gjæringsvinkel: løsne låsehåndtaket ved å vri det mot klokken.

**⚠ ADVARSEL:**

**Når du kutter med gjæringsmåleren, må låsehåndtaket være godt tilstrammet.**

Tilleggsanlegget kan tas av og snus når knappen er løsnet.

### Installere parallellanlegget (Fig. 19)

Parallellanlegget kan brukes på begge sider av bladet. Når parallellanlegget flyttes fra den ene til den andre siden av sagbladet, må det andre anlegget snus.

### Snu parallellanlegget (Fig. 20)

1. Løsne knappen (B) på holdetvingen.
2. Fjern holdetvingen fra anlegget.
3. Løsne knappen (A).
4. Løft anlegget bort fra anleggsholderen.
5. Snu anlegget og skyv det tilbake i holderen.
6. Stram til knappen (A).
7. Skyv holdetvingen inn på anlegget.

### Klemme fast parallellanlegget

1. Plasser parallellanlegget på føringsvernet.
2. Stram låsehendelen på parallellanlegget.
3. Løsne knappen (B) på holdetvingen.
4. Skyv holdetvingen mot bakkanten av bordet.
5. Stram til knappen (B).

Høyden til parallellanlegget kan senkes når du kutter tynne materialer. (Fig. 21 og 22)

1. Løsne knappen (B) på holdetvingen.
2. Fjern holdetvingen fra anlegget.
3. Løsne knappen (A).
4. Løft anlegget bort fra anleggsholderen.
5. Skyv knappen (A) bort fra anlegget for å fjerne det.
6. Roter anlegget 90°.
7. Sett inn knappen (A) i det andre sporet på anlegget.
8. Sett anlegget tilbake i holderen.
9. Stram til knappen (A).
10. Skyv holdetvingen inn på anlegget.

Når anleggshøyden er senket, vil 0-punktet (nullpunktet) bli endret.

Hvis parallellanlegget befinner seg på venstre siden av bladet, skyver du føringsvernet mot venstre for å justere til 0-punktet.

## MONTERING

### Skifte båndsagsblad

**⚠ FORSIKTIG:**

- Selv når båndsagbladet står helt stille, kan kontakt med bladet medføre personskader.

- Sagbladet er farlig.  
Bruk alltid hansker ved håndtering av sagblad når du pakker det ut, ved alternativ montering og når du skifter det ut.
1. Løsne de to fingerskruene på høyre føringsvern, og skyv vernet til høyre. **(Fig. 23)**
  2. Åpne verktøyets øvre og nedre deksel. **(Fig. 24)**
  3. Hold håndtaket og dra spondekslet oppover for å ta det av. **(Fig. 25)**
  4. Åpne det nedre bladvernet. **(Fig. 26)**
  5. Sett den øvre bladføringen til laveste posisjon.
  6. Løsne hurtigkoblingshendelen inntil båndsaagbladet har slaknet. **(Fig. 27)**
  7. Før båndsaagbladet gjennom for å fjerne det.
    - sporet i sagbladet.
    - bladvernet på de øvre bladføringene.
    - bladdekslet på sagkabinettet.
  8. Sett på et nytt båndsaagblad. Pass på at posisjonen blir korrekt: tennene skal peke mot fremsiden (dørsiden) av sagen.
  9. Sentrer båndsaagbladet på gummidekkene i båndsaaghjulene.
  10. Stram hurtigkoblingshendelen inntil bladet ikke lenger gli av båndsaaghjulene.
  11. Lukk det nedre bladvernet.

#### ⚠ **FORSIKTIG:**

Det nedre dekslet skal kun lukkes når det nedre bladvernet er i lukket posisjon.

12. Sett høyre føringsvern tilbake til opprinnelige stilling. **(Fig. 28 og 29)**
13. Tilpass spondekslet.
14. Lukk begge dekslene.
15. Deretter:
  - stram båndsaagbladet (se avsnittet "Stramme båndsaagbladet" i "FUNKSJONSBEKRIVELSE").
  - juster båndsaagbladet (se avsnittet "Juster båndsaagbladet", "MONTERING").
  - justere bladføringene (se avsnittet "Juster den øvre bladføringen" i "FUNKSJONSBEKRIVELSE").
  - prøvekjør sagen i minst ett minutt;
  - stopp sagen, koble den fra strømnettet og kontroller innstillingene på nytt.

#### **Justering av kappehastighet (Fig. 30)**

1. Åpne det nedre dekslet.
2. Slakk ut drivreimen ved å vri knappen i urviserretningen.
3. Plasser drivreimen på drivhjulets reimskive (det nedre hjulet på båndsaagen) og den tilsvarende motor-reimskiveetiketten i det nedre dekslet.

#### ⚠ **FORSIKTIG:**

Drivreimen må kjøre på enten begge de fremre eller begge de bakre reimskivene. V-reimen skal aldri kjøre diagonalt.

#### **Innstillingsknapp for stramming av reim (Fig. 31)**

Bruk innstillingsknappen for å justere beltestrammingen ved behov:

- vri innstillingsknappen med klokken for å gjøre drivreimen slakkere.
- vri innstillingsknappen mot klokken for å stramme drivreimen ytterligere.

Stram drivreimen på nytt ved å dreie knappen mot klokken (halvveis mellom reimskivene bør drivreimen ha en fleksibilitet på ca. 10 mm). **(Fig. 32)**

Lukk det nedre dekslet.

## FUNKSJONSBEKRIVELSE

### **Stramme båndsaagbladet (Fig. 33)**

#### ⚠ **FORSIKTIG:**

**For sterk tilstramming kan føre til at båndsaagbladet knekker. For lite tilstramming kan føre til at båndsaaghjulet glipper og båndsaagbladet stopper.**

1. Løft øvre bladføring helt opp.  
Vri knappen for å justere tilstrammingen. Bruk skalaen som rettledning og tilpass etter bladets bredde. (Når justeringen er ferdig, kontrollerer du tilstrammingen som vist i post 2).
2. Kontrollere bladtilstrammingen:
  - kontroller tilstrammingen ved å skyve inn en finger halvveis mellom bordet og den øvre bladføringen, mot siden av bladet (bladet skal ha en fleksibilitet på maks. 1-2 mm).
  - kontroller justeringen av indikatoren for bladtilstramming. Skalaen angir korrekt justering avhengig av båndsaagbladets bredde.
3. Korrigere tilstrammingen om nødvendig:
  - vri innstillingsknappen med klokken for å øke tilstrammingen av bladet.
  - vri innstillingsknappen mot klokken for å redusere tilstrammingen av bladet.

### **Juster båndsaagbladet (Fig. 34)**

Hvis båndsaagbladet ikke kjører midt på gummidekkene, må tilpasningen korrigeres. Dette gjøres ved at du justerer hellingsgraden til det øvre båndsaaghjulet:

1. Løsne låseknappen.
2. Roter det øvre hjulet manuelt, og pass på at du ikke berører bladet.
3. Drei innstillingsknappen med klokken hvis sagbladet kjører mot fremsiden av sagen.
  - drei innstillingsknappen mot klokken hvis sagbladet kjører mot baksiden av sagen.
4. Når justeringen er fullført, lukker du låseknappen. **(Fig. 35)**

### **Hurtigkoblingshendel (Fig. 36)**

Bruk hurtigkoblingshendelen for å redusere tilstrammingen av sagbladet.

Med klokken: redusere tilstrammingen.

Mot klokken: øke tilstrammingen.

### **Justering av den øvre bladføringen (Fig. 37)**

Høyden til den øvre bladføringen må justeres:

før hver saging, slik at det tilpasses hvert enkelt arbeidsstykke (den øvre bladføringen bør være ca. 3 mm over arbeidsstykket);

- etter at båndsaagbladet eller sagbordet er blitt justert (f.eks. når du har byttet båndsaagblad, justert sagbordet eller tilstrammingen av båndsaagbladet).

#### ⚠ **FORSIKTIG:**

Før du justerer den øvre bladføringen og sagbordets hellingsgrad:

- slå AV maskinen;
- vent inntil båndsaagbladet har stanset helt.

- Løsne låseknappen og bruk justeringsknappen for å sette den øvre bladføringen til ønsket høyde.

Husk å stramme godt låsemutteren når justeringen er fullført.

- Aldri kapp flere arbeidsstykker samtidig. Aldri kapp sammenbuntede arbeidsstykker. Hvis enkeltstykker hefter seg opp i sagbladet, vil der være fare for personskader.

1. Løsne bolt C og tilpass lagerholderen, slik at styrelageret blir posisjonert 1-2 mm fra bunnen av bladet. **(Fig. 38 - 40)**

- Løsne bolt A og tilpass aksiallageret, slik at det blir posisjonert 0,5 mm fra baksiden av bladet.
- Løsne bolt B og tilpass styrelageret, slik at det blir posisjonert 0,5 mm bort fra bladet.

### Justere den nedre bladføringen (Fig. 41)

Den nedre bladføringen består av:

- et aksiallager (støtter båndsgagbladet bakfra).
- to føringslagre (gir støtte fra siden).

Disse delene må justeres på nytt hver gang det byttes båndsgagblad, eller sporet justeres:

#### Merk:

Aksial- og føringslagrene må med jevne mellomrom kontrolleres for slitasje. Hvis det oppdages slitasje, må begge føringslagrene skiftes ut samtidig.

- Åpne den nedre døren på dekslet, samt det nedre bladvernet.
- Skru løs sekskantskruen og flytt hele den nedre bladføringen. Juster føringslageret slik at det står 1-2 mm fra bunnen av bladet.

### Justere aksiallageret

- Løsne bolt A.
- Juster posisjonen til aksiallageret (avstanden mellom aksiallageret og båndsgagbladet skal være 0,5 mm — hvis båndsgagbladet vrir for hånd, må kontakt med aksiallageret unngås).
- Stram bolt A.

### Justere føringslagrene (Fig. 42)

- Løsne bolt B.
- Sett føringslageret mot båndsgagbladet.
- Drei båndsgaghjulet for hånd flere ganger i urviserretningen for å posisjonere styrelagrene riktig. Løsne bolt A og tilpass aksiallageret, slik at det blir posisjonert 0,5 mm fra baksiden av bladet. Begge styrelagrene skal SÅ VIDT BERØRE båndsgagbladet.
- Stram bolt B på nytt.
- Lukk det nedre bladvernet.
- Lukk døren på det nedre dekslet.

### Juster sagbordet slik at det står i rett vinkel til båndsgagbladet (Fig. 43 og 44)

- Løft den øvre bladføringen helt opp (se "Bruk").
- Kontroller tilstrammingen til båndsgagbladet (se "FUNKSJONSBEKRIVELSE"). Drei håndtaket i urviserretningen for å vippe bordet mot urviserretningen. Drei håndtaket mot urviserretningen for å vippe bordet i urviserretningen.
- Løsne låsehendelen.
- Bruk en ansatsvinkel for å plassere bordet i rett vinkel til bladet. Drei håndtaket for å justere bordet, og stram låsehendelen på nytt.
- Juster anslagsskruen inntil den berører sagkabinettet.

### Bruk (Fig. 45 og 46)

#### ⚠ Fare:

For å redusere risikoen for personskader optimalt, bør følgende sikkerhetsanbefalinger etterfølges når sagen brukes.

#### ⚠ FORSIKTIG:

- Ikke berør sagbladet når du sager.
- Bruk vernebriller, men ikke hansker, når du sager.
- Kapp kun ett arbeidsstykke om gangen.
- Alltid hold arbeidsstykket ned på bordet.
- Pass på at arbeidsstykkene ikke kommer i klem.

- Ikke forsøk å saktne eller stoppe båndsgagbladet ved å skyve arbeidsstykket sideveis inn mot sagbladet.
- Bruk skyvepinne ved saging mot gjerdet.
- Hvis arbeidet krever det, bruker du følgende:
  - skyvepinne — hvis avstanden mellom parallellanlegget og båndsgagbladet  $\leq 150$  mm;
  - arbeidsstøtte — for lange stokker som ellers ville falle av bordet når kuttingen er fullført;
  - støvoppsamler;
  - ved saging av runde stokker må du sørge for at materialet sitter godt fast som vist i diagrammet.
  - en passende føring som gir solid støtte når du kapper tynne stokker som er lagt på kant.
  - hansker for håndtering av sagbladet og grove materialer.
- Før du tar i bruk sagen, må du kontrollere at følgende fungerer korrekt:
  - båndsgagbladet;
  - det øvre og nedre bladvernet.
- Bytt straks ut skadde deler.
- Innta korrekt arbeidsstilling (tennene på båndsgagbladet skal peke mot brukeren).

### Saging

#### ⚠ ADVARSEL:

Fare for tilbakeslag (arbeidsstykket hektes i båndsgagbladet og kastes mot brukeren).

Pass på at arbeidsstykket ikke kommer i klem.

- Velg parallellanlegg og hellingsvinkel på bordet alt etter hvilken type sagearbeid som skal utføres.
- Den øvre bladføringen skal være 3 mm over arbeidsstykket.

#### Merk:

Gjør alltid et prøveuttak i et testemne for å kontrollere innstillingene. Foreta eventuelle nødvendige justeringer før du begynner å sage i arbeidsstykket.

- Plasser arbeidsstykket på sagbladet.
- Koble til strømmettet.
- Start sagen.
- Kapp arbeidsstykket i én bevegelse.
- Slå av sagen hvis det ikke er mer som skal kappes umiddelbart.
- Bruk underbordet som selges separat.

### Helling av arbeidsbordet (Fig. 47)

#### ⚠ FORSIKTIG:

Hvis det skal utføres gjæringssaging mens bordet heller, må føringsvernet plasseres på den nedre delen av bordet.

Når du har løsnet låsehendelen, vil sagbordet tippe trinnløst 47° mot bladet.

Drei håndtaket i urviserretningen for å vippe bordet mot urviserretningen. Drei håndtaket mot urviserretningen for å vippe bordet i urviserretningen.

### Koble til en støvsuger (Fig. 48 og 49)

Hvis du kobler til en Makita-støvsuger eller støvoppsamler, kan driften av sagen bli enda renere.

Hvis en støvutsuger er festet til samleren med stor åpning, må også støvutsugeren justeres slik at den får stor åpning.

### Slik flytter du maskinen (Fig. 50)

- Løft opp håndtaket for å bevege maskinen.
- Ved transport må føringsvernet for sagbladet være helt nedsenket og nært bordet.

- Ikke bruk føringsvernet i forbindelse med håndtering eller transport.

**⚠ FORSIKTIG:**

- Hvis håndtaket løftes for høyt opp, kan sagen få overbalanse.

## VEDLIKEHOLD

**⚠ FORSIKTIG:**

- Forviss deg alltid om at maskinen er slått av og støpselet trukket ut av kontakten før du foretar inspeksjon eller vedlikehold.

**MERK:**

- Aldri bruk gasolin, bensin, tynner, alkohol eller lignende. Det kan føre til misfarging, deformering eller sprekkdannelse.

### Rengjøring

Fjern sagmugg og spon med jevne mellomrom. Bladvernet og bevegelige deler inne i båndsagen må rengjøres grundig.

### Smøring

For å holde båndsagen i tipp-topp stand og sikre optimal levetid, må bevegelige og roterende deler oljes eller smøres med jevne mellomrom.

Sørg alltid for at bladet er skarpt og rent for å redusere støynivået.

For å opprettholde produktets SIKKERHET og PÅLITELIGHET, må reparasjoner, vedlikehold og justeringer utføres av Makitas autoriserte servicesentre, og det må alltid brukes reservedeler fra Makita.

## TILBEHØR

**⚠ FORSIKTIG:**

- Du bør bruke dette tilbehøret og verktøyet sammen med den Makita-maskinen som er spesifisert i denne håndboken. Bruk av annet tilbehør og verktøy kan forårsake helseskader. Tilbehør og verktøy må kun brukes til det formålet det er beregnet for. Ta kontakt med ditt lokale Makita-servicesenter hvis du trenger flere opplysninger om dette tilbehøret.

- Understell
- Sekskantnøkkel
- Parallellanlegg
- Gjæringsmåler
- Montering av sirkelskjærer
- Uttreksbord
- Montering av slipereim

### Gjelder bare land i Europa

#### Støy

Typisk A-vektede lydtryknivåer er

lydtryknivå: 81 dB (A)

lydeffektnivå: 94 dB (A)

Usikkerhet (K): 3 dB (A)

#### Bruk hørselvern.

Disse verdiene er fremkommet i samsvar med EN 61029.

### EF-samsvarserklæring

**Som ansvarlig produsent, erklærer vi, Makita Corporation, at følgende Makita-maskin(er):**

Maskinbetegnelse: Båndsag

Modellnr./type: LB1200F

er serieprodusert og

### samsvarer med følgende EU-direktiver:

2006/42/EF

og er produsert i henhold til følgende standarder eller standardiserte dokumenter:

EN61029

EF-typegodkjenningssertifikat nr. M6A 10 05 26932 017

EF-typegodkjenningen ble utført av:

TÜV SÜD Product Service GmbH, Zertifizierstelle,

Ridlerstraße 65, 80339 München, Germany

Identifikasjonsnr. 0123

Den tekniske dokumentasjonen oppbevares hos vår autoriserte representant i Europa, som er:

Makita International Europe Ltd.,

Michigan, Drive, Tongwell,

Milton Keynes, Bucks MK15 8JD, England

25. 05. 2010



Tomoyasu Kato

Direktør

Makita Corporation

3-11-8, Sumiyoshi-cho,

Anjo, Aichi, JAPAN

# SUOMI (Alkuperäiset ohjeet)

## Yleisnäkymän selitykset

1. Pyörä	25. Runko	54. Sahanterä
2. Yläkansi	26. Kahva	55. Sahan kotelo
3. Valokatkaisin	27. Aluslevy	56. Alempi teränsuojus
4. Katkaisin	28. Kuusiokolopultti	57. Pikavapautusvipu
5. Halkaisuohjain	29. Lattajousi	58. Vannesahan alempi pyörä
6. Alakansi	30. Kiinnitysreikä	59. Moottorin hihnapyörä
7. Kantokahva	31. Kohdistusreikä	60. Käyttöhihna
8. Pölylokero	32. Pöytä	61. Käyttöhihnapyörä
9. Nuppi (terän kiristämistä varten)	33. Kuusiopultit	62. Noin 10 mm
10. Nuppi (kotelon ylemmän luukun sulkemista varten)	34. Ristikappale	63. Lukitusnuppi
11. Nuppi (teräohjaimen säätämistä varten)	35. Tappi	64. Säätönuppi
12. Nuppi (teräohjaimen kiinnittämistä varten)	36. Siipiruuvi	65. Ohjauslaakeri
13. Ylempi teräohjain	37. Ohjainkisko	66. Pultti A
14. Terä	38. Katkaisimen kansi	67. Ohjauslaakerin etäisyys terän alareunasta
15. Nuppi (kotelon alemman luukun sulkemista varten)	39. OFF-katkaisin	68. Pultti C
16. Nuppi (kiilahihnan kiristämistä varten)	40. ON-katkaisin	69. Pultti B
17. Käyttöhihna	41. ON	70. Laakerin pidin
18. Jalustin	42. Työntötikku	71. Tukilaakeri
19. Rengas	43. Kulma-asteikko	72. Ruuvi
20. Lukitusvipu (pöydän kallistuksen lukitsemista varten)	44. Lukituskahva	73. Mutteri
21. Pölynpoistoaukko	45. Nuppi	74. Suuriaukkoinen keräin
22. Pikavapautusvipu	46. Nuppi (A)	75. Pieniaukkoinen keräin
23. Nuppi (teräohjauksen säätämistä varten)	47. Ohjain	76. Pieni pölynkeräin (kiinnitetty laitteeseen)
24. Kahva (pöydän kallistuksen säätämistä varten)	48. Lukitusvipu	77. Suuri pölynkeräin (vaihdettavaksi)
	49. Ohjaimen pidin	78. Kisko
	50. Nuppi (B)	79. Kieleke
	51. Pidike	80. Kuusiopultti
	52. Siipiruuvit	
	53. Pölykansi	

## TEKNISET TIEDOT

Malli	LB1200F	
Pyörän koko	305 mm	
Suurin sahauskyky	165 mm	
Joutokäyntinopeus	Suuri	840 min <sup>-1</sup> (50 Hz)/1 040 min <sup>-1</sup> (60 Hz)
	Pieni	420 min <sup>-1</sup> (50 Hz)/520 min <sup>-1</sup> (60 Hz)
Sahausnopeus	Suuri	13,3 m/s (800 m/min) (50 Hz)/16,7 m/s (1 000 m/min) (60 Hz)
	Pieni	6,7 m/s (400 m/min) (50 Hz)/8,3 m/s (500 m/min) (60 Hz)
Terän koko	Ympärysmitta 2 240 mm x leveys 6 mm, 13 mm, 16 mm	
Kokonaismitat	615 mm x 775 mm x 1 600 mm	
Pöydän koko	560 mm x 400 mm	
Nettopaino	81,2 kg	

- Jatkuvan tutkimus- ja kehitysohjelman vuoksi pidätämme oikeuden muuttaa tässä mainittuja teknisiä ominaisuuksia ilman ennakoilmoitusta.
- Tekniset ominaisuudet saattavat vaihdella maittain.
- Paino EPTA-Procedure 01/2003:n mukaan

### Merkkien selitykset

Koneessa on käytetty seuraavia symboleja. Varmista ennen käyttöä, että ymmärrät niiden merkityksen.



..... Lue käyttöohje.



..... Irrota pistoke pistorasiasta.



..... Käytä suojalaseja.



..... Älä vie käsiä tai sormia terän lähelle.



..... Koskee vain EU-maita

Älä hävitä sähkötarvikkeita tavallisen kotitalousjätteen mukana!

Vanhoja sähkö- ja elektroniikkalaitteita koskevan EU-direktiivin 2002/96/ETY ja sen maakohtaisten sovellusten mukaisesti käytetyt sähkötarvikkeet on toimitettava ongelmajätteen keräyspisteeseen ja ohjattava ympäristöystävälliseen kierrätykseen..

### Käyttötarkoitus

Työkalu on tarkoitettu puun sahaamiseen.

### Virtalähde

Laitteen saa kytkeä vain sellaiseen virtalähteeseen, jonka jännite on sama kuin arvokilvessä ilmoitettu, ja sitä saa käyttää ainoastaan

yksivaiheisella vaihtovirralla. Laite on kaksinkertaisesti suojaeristetty eurooppalaisten standardien mukaisesti, ja se voidaan siten kytkeä myös maadoittamattomaan pistorasiaan.

## TURVALLISUUSOHJEET

ENA001-2

**⚠ VAROITUS: Sähkötyökaluja käytettäessä on tulipalo-, sähköisku- ja loukkaantumisriskin pienentämiseksi huolehdittava aina muun muassa seuraavista perusvarotoimista. Lue nämä ohjeet kokonaisuudessaan, ennen kuin käytät tuotetta, ja säilytä ne tulevaa tarvetta varten.**

### Turvallinen työskentely:

- 1. Pidä työskentelyalue puhtaana.**  
Sotkuiset tilat ja työpöydät aiheuttavat helposti onnettomuuksia.
- 2. Huolehdi asianmukaisesta työskentely-ympäristöstä.**  
Älä jätä sähkötyökaluja sateeseen. Älä käytä sähkötyökaluja kosteissa tai märissä paikoissa. Valaise työskentelyalue hyvin. Älä käytä sähkötyökaluja palo- tai räjähdysvaarallisissa tiloissa.
- 3. Suojaudu sähköiskuilta.**  
Vältä vartalo- ja kosketusta maadoitettuihin pintoihin (esim. putkiin, lämpöpattereihin, liesiin ja jääkaappeihin).
- 4. Pidä lapset loitolla.**  
Älä anna sivullisten koskea työkaluun tai jatkojohtoon. Kaikki sivulliset tulee pitää poissa työskentelyalueelta.
- 5. Säilytä käyttämättömiä työkaluja varastossa.**  
Kun työkaluja ei käytetä, säilytä niitä kuivassa ja korkealla tai lukitussa paikassa lasten ulottumattomissa.
- 6. Älä käytä tarpeetonta voimaa.**  
Työkalu toimii tarkoituksenmukaisesti ja turvallisesti, kun sitä käytetään sille suunnitellulla teholla.
- 7. Käytä työhön sopivaa työkalua.**  
Älä käytä suuria työkaluja vaativiin töihin liian pieniä työkaluja tai tarvikkeita. Älä käytä työkaluja työhön, johon niitä ei ole tarkoitettu. Älä esimerkiksi käytä pyörösahaa puunoksien tai tukkien sahaamiseen.
- 8. Pukeudu asianmukaisesti.**  
Älä käytä löysiä vaatteita tai koruja, jotka voivat jäädä kiinni liikkuviin osiin. Ulkona työskennellessä on suositeltavaa käyttää kumikäsineitä ja pitäväpohjaisia jalkineita. Pitkät hiukset täytyy pitää kiinni.
- 9. Käytä suojalaseja ja kuulosuojaimia.**  
Käytä myös kasvo- tai hengityssuojainta, jos työskentely on pölyistä.
- 10. Käytä pölynpoistolaitteita.**  
Jos pölynpoisto- ja keräysliitäntää varten on olemassa laitteet, huolehdi siitä, että ne liitetään ja että niitä käytetään oikein.
- 11. Älä vahingoita virtajohtoa.**  
Älä kannata laitetta johdosta tai irrota sitä pistorasiasta johdosta vetämällä. Suojaa johto kuumuudelta, öljyltä ja teräviltä reunoilta.
- 12. Kiinnitä työkappale tukevasti.**  
Kiinnitä työkappale puristimien tai ruuvipenkin avulla. Turvallisuus paranee, ja työkalua voi käyttää molemmilla käsillä.
- 13. Älä kurkota.**  
Säilytä aina tukeva jalansija ja tasapaino.
- 14. Huolla työkalut huolellisesti.**  
Pidä leikkuutyökalut terävinä ja puhtaina, jotta ne toimivat tehokkaasti ja turvallisesti. Noudata voitelusta ja lisävarusteiden vaihtamisesta annettuja ohjeita. Tarkasta työkalun virtajohto säännöllisesti ja vaihdata se valtuutetussa huoltoliikkeessä, jos siinä on vaurioita. Tarkasta jatkojohdot

säännöllisesti ja vaihda ne tarvittaessa. Pidä kahvat kuivina, puhtaina ja erossa öljystä ja rasvasta.

- 15. Irrota virtalähde.**  
Irrota virtajohto aina, kun työkalua ei käytetä ja kun sitä huolletaan tai siihen vaihdetaan terä tai jokin muu osa.
- 16. Irrota säätö- ja ruuviavaimet.**  
Ota tavaksi varmistaa, että säätö- ja ruuviavaimet on irrotettu työkalusta, ennen kuin sen käyttö aloitetaan.
- 17. Estä tahaton käynnistyminen.**  
Älä kannata virtalähteeseen liitettyä työkalua sormi liipaisimella. Varmista ennen virtalähteeseen liittämistä, että katkaisin on off-asennossa.
- 18. Käytä ulkokäyttöön tarkoitettuja jatkojohtoja.**  
Kun työkalua käytetään ulkona, käytä vain ulkokäyttöön tarkoitettuja jatkojohtoja.
- 19. Pysy valppaana.**  
Keskity työhösi. Käytä järkeä. Älä käytä työkalua, jos olet väsynyt.
- 20. Tarkasta kunto.**  
Ennen kuin työkalun käyttöä jatketaan, on syytä varmistaa, että suojukset tai muut vaurioituneet osat toimivat moitteettomasti ja käyttötarkoituksensa mukaisella tavalla. Varmista, että liikkuvat osat ovat oikeissa asennoissaan ja että ne voivat liikkua esteettä. Tarkasta myös osien eheys, kiinnitykset sekä muut toimintaan mahdollisesti vaikuttavat seikat. Suojus tai muu vaurioitunut osa tulee viedä valtuutettuun huoltoliikkeeseen korjattavaksi tai vaihdettavaksi, jollei tässä käyttöoppaassa muuta mainita. Vaihdata epäkuntoiset kytkimet valtuutetussa huoltoliikkeessä. Älä käytä työkalua, jos se ei käynnisty ja sammuu kytkimestä.
- 21. Varoitus.**  
Muun kuin tässä käyttöoppaassa tai luettelossa suositellun varusteen tai lisäosan käyttäminen voi aiheuttaa loukkaantumisvaaran.
- 22. Korjauta työkalu asiantuntevassa huoltoliikkeessä.**  
Tämä sähkötyökalu on valmistettu sitä koskevien turvallisuusvaatimusten mukaisesti. Korjaukset tulee jättää asiantuntevan huoltoliikkeen tehtäviksi, ja niissä tulee käyttää alkuperäisiä varaosia. Muutoin käyttäjälle voi aiheutua vaaratilanteita.

## TÄYDENTÄVÄT TURVAOHJEET

### SÄILYTÄ NÄMÄ OHJEET.

- 1. Käytä suojalaseja.**
- 2. Älä käytä työkalua palavien nesteiden tai kaasujen läheisyydessä.**
- 3. Käytä aina kasvo- tai hengityssuojainta.**
- 4. Tarkasta ennen käyttöä, ettei terässä ole halkeamia tai vaurioita. Vaihda halkeillut tai muuten vahingoittunut terä heti uuteen.**
- 5. Käytä vain valmistajan suosittelemia teriä, jotka ovat standardin EN847-1 mukaisia.**
- 6. Käytä vain tässä ohjeessa suositeltuja lisävarusteita. Sopimattomien lisävarusteiden, kuten hiovien katkaisulaikkojen, käyttö voi aiheuttaa onnettomuuden.**
- 7. Valitse sahanterä sahattavan materiaalin mukaan.**
- 8. Älä käytä pikateräksestä valmistettuja sahanteriä.**
- 9. Voit vähentää syntyvää melua varmistamalla, että terä on terävä ja puhdas.**
- 10. Älä sahaa metallia, kuten nauvoja tai ruuveja. Tarkasta työkappale ja poista kaikki naulat, ruuvit ja muut vierasaineet ennen työstöä.**

11. Poista vääntimet, sahatut kappaleet jne. pöydältä, ennen kuin työkalu kytketään päälle.
12. **ÄLÄ KOSKAAN** pidä käsineitä käytön aikana.
13. Pidä kädet poissa sahanterän linjalta.
14. **ÄLÄ KOSKAAN** seiso tai anna kenenkään seisoa sahanterän liikeradalla.
15. Anna koneen käydä jonkin aikaa, ennen kuin alat työstää työkappaletta. Varmista, ettei työkappale tärise tai heilu, mikä johtuu huonosta asennuksesta tai huonosti tasapainotetusta terästä.
16. Vaihda aluslevy, kun se on kulunut.
17. Kytke vannesaha pölynkeräyslaitteeseen sahausajan aikana.
18. Älä käytä laitetta, kun luukku tai sahanterän suojuus ovat avoimina.
19. Varmista, että sahanterä ja sahausnopeus on valittu sahattavan materiaalin mukaan.
20. Älä puhdistu sahanterää sen liikkeessa.

## ASENNUS (Kuvat 1 ja 2)

### Vannesahan jalustan kiinnittäminen

Jos on mahdollista, että vannesaha saattaa keikahtaa, liukua tai siirtyä käytön aikana, vannesahan jalusta on syytä kiinnittää lattiaan. (Kuvat 3–7)

- Kun jalusta on kiinnitetty, kiinnitä kahva ja renkaat. (Kuva 8)

### Pölylokeron kiinnittäminen

Pölylokeron kiinnitetään sahan alapuolelle. Kun kiinnität lokeroa, aseta ensin kiinnittämiseen tarkoitettu lattajousi koneen kohdistusreiän sisäreunaa vasten, sovita pölylokeron molemmat kielekkeet kiskoille ja liu'uta lokeroa sitten ulospäin.

Kun kiinnittämiseen tarkoitettua lattajousen etureuna asetettu koneen kiinnitysreikään, pölylokeron on kiinnitetty. (Kuvat 9 ja 10) Kiinnitä pöytä ristikkappaleeseen neljällä kuusiopultilla. (Kuva 11) Tappi on vain kuljetusta varten. Vedä se ulos. (Kuva 12)

### Ohjainkiskon kiinnittäminen (Kuva 13)

- Kiinnitä ohjainkisko pöytään neljällä siipiruuvilla ja aluslevyllä.

## TOIMINNAN KUVAUS

### Kytkimen toiminta (Kuva 14)

#### ⚠ HUOMIO:

- Varmista ennen käyttöä, että laite on kytketty virtalähteeseen ja että se on pois päältä.

Katkaisimen kannen voi avata helposti liu'uttamalla sitä ylöspäin. Käynnistä työkalu painamalla ON (I) -painiketta. Sammuta laite painamalla OFF (O) -painiketta tai katkaisimen kantta.

### Lamppujen sytyttäminen

Valo syttyy, kun käännät katkaisimen yläasentoon (I), ja sammuu, kun käännät katkaisimen ala-asentoon (O).

Käynnistä työkalu nostamalla kytkinvipua. (Kuva 15)

Pysäytä se painamalla kytkinvipua alas.

### Työntötikku (Kuva 16)

Työntötikku on käden jatke, jota käyttämällä vältät käden joutumisen liian lähelle terää.

Työntötikkua pitää aina käyttää, jos vannesahan terän ja halkaisuohjaimen väli on alle 150 mm.

Työnnä työntötikulla 20°–30°:n kulmassa sahan pöytään nähden. (Kuva 17)

Kun työntötikkua ei käytetä, sitä voi säilyttää vannesahan rungossa olevassa työntötikun pitimessä.

Vaihda vioittunut työntötikku.

### Kulma-asteikko (Kuva 18)

Kulma-asteikko on sovitettu pöydän etureunassa olevaan rako. Kulma-asteikko kääntyy jiirisahattaessa 60 astetta kumpaankin suuntaan.

45 ja 90 asteen kulmille on omat pysäytyskohdat.

Aseta viistokulma löysäämällä lukituskahvaa vastapäivään.

#### ⚠ VAROITUS:

**Lukituskahva on kiristettävä tiukasti, jos sahattaessa käytetään kulma-asteikkoa.**

Apu-ohjain voidaan irrottaa ja kääntää nupin löysäämisen jälkeen.

### Halkaisuohjaimen kiinnittäminen (Kuva 19)

Halkaisuohjainta voidaan käyttää kummallakin puolella terää. Kun halkaisuohjain siirretään sahanterän puolelta toiselle, ohjain on tarpeen kääntää.

### Ohjaimen kääntäminen (Kuva 20)

1. Löysää pidikkeen nuppia (B).
2. Irrota pidike ohjaimesta.
3. Löysää nuppia (A).
4. Nosta ohjain irti ohjaimen pitimestä.
5. Käännä ohjain ja liu'uta se sitten takaisin ohjaimen pitimeen.
6. Kiristä nuppi (A).
7. Liu'uta pidike ohjaimeen.

### Halkaisuohjaimen kiinnittäminen

1. Aseta halkaisuohjain ohjainkiskolle.
2. Kiristä halkaisuohjaimen lukitusvipu.
3. Löysää pidikkeen nuppia (B).
4. Liu'uta pidikettä kohtio pöydän takareunaa.
5. Kiristä nuppi (B).

Ohjaimen korkeutta voidaan alentaa ohuita materiaaleja sahattaessa. (Kuvat 21 ja 22)

1. Löysää pidikkeen nuppia (B).
2. Irrota pidike ohjaimesta.
3. Löysää nuppia (A).
4. Nosta ohjain irti ohjaimen pitimestä.
5. Liu'uta nuppi (A) irti ohjaimesta ja irrota se.
6. Käännä ohjainta 90 astetta.
7. Aseta nuppi (A) ohjaimen toiseen uraan.
8. Palauta ohjain takaisin ohjaimen pitimeen.
9. Kiristä nuppi (A).
10. Liu'uta pidike ohjaimeen.

Nollakohta muuttuu, kun ohjaimen korkeutta alennetaan. Jos halkaisuohjain on terän vasemmalla puolella, liu'uta ohjainkiskoa vasemmalle nollakohdan säätämistä varten.

## KOKOAMINEN

### Vannesahan terän vaihtaminen

#### ⚠ HUOMIO:

- Vannesahan terän koskettaminen voi aiheuttaa tapaturman, vaikka terä olisi paikallaan.

- Sahanterä on vaarallinen.

Käytä käsineitä, kun käsittelet sahanterää, esimerkiksi kun otat sen pakkauksesta tai vaihdat sen.

1. Löysää oikeanpuoleisen ohjainkiskon kaksi siipiruuvia ja liu'uta oikeanpuoleista kiskoa sitten oikealle. **(Kuva 23)**
2. Avaa työkalun ylä- ja alakansi. **(Kuva 24)**
3. Pidä kahvasta ja irrota pölykansi vetämällä sitä ylöspäin. **(Kuva 25)**
4. Avaa alempi teränsuojus. **(Kuva 26)**
5. Aseta ylempi teränsuojus alimpaan asentoonsa.
6. Löysää pikavapautusvipua, kunnes vannesahan terä löystyy. **(Kuva 27)**
7. Irrota vannesahan terä ohjaamalla se
  - sahanterän aukon läpi
  - ylempien teräohjainten teränsuojuksen läpi
  - sahan kotelossa olevan teränsuojuksen läpi.
8. Sovita uusi vannesahan terä paikalleen. Tarkista, että asento on oikea: hampaiden pitää osoittaa sahan etupuolelle (luukkupuolelle).
9. Keskitä terä vannesahan pyörien kumirenkasiin.
10. Kiristä pikavapautusvipua, kunnes terä ei enää liu'u pois vannesahan pyöriä.
11. Sulje alempi teränsuojus.

#### ⚠️ HUOMIO:

Sulje alempi kansi vasta, kun alempi teränsuojus on kiinniasennossa.

12. Palauta oikeanpuoleinen ohjainkisko takaisin alkuperäisen asentoonsa. **(Kuvat 28 ja 29)**
13. Sovita pölykansi paikalleen.
14. Sulje molemmat kannet.
15. Toimi sitten seuraavasti:
  - Kiristä vannesahan terä (lisätietoja on TOIMINNAN KUVAUS -luvun kohdassa "Vannesahan terän kiristäminen").
  - Kohdistaa vannesahan terä (lisätietoja on KOKOAMINEN-luvun kohdassa "Vannesahan terän kohdistaminen").
  - Kohdistaa teräohjaimet (lisätietoja on TOIMINNAN KUVAUS -nimisen luvun kohdassa "Vannesahan terän kiristäminen").
  - Koekäytä sahaa ainakin minuutin ajan.
  - Pysäytä saha, irrota pistoke virtalähteestä ja tarkista asetukset uudelleen.

### Sahausnopeuden säätäminen (Kuva 30)

1. Avaa alempi kansi.
2. Löysennä käyttöhihnaa kääntämällä nuppia myötäpäivään.
3. Aseta käyttöhihna asianomaiselle käyttöhihnapyörälle (vannesahan alempi pyörä) ja vastaavalle moottorin hihnapyörälle – huomaa alemman kannen sisällä oleva tarra.

#### ⚠️ HUOMIO:

Käyttöhihnan pitää kulkea joko molempia sahan etupuolen hihnapyöriä tai molempia takapuolen hihnapyöriä pitkin. Kiilahihna ei saa koskaan kulkea ristiin.

### Hihnan kireyden säätönuppi (Kuva 31)

Hihnan kireyttä voi tarvittaessa säätää

- löysemmälle kääntämällä säätönuppia myötäpäivään.
  - tiukemmalle kääntämällä säätönuppia vastapäivään.
- Kiristä vetohihnaa uudestaan kiertämällä säätönuppia vastapäivään (vetohihnan tulee joustaa hihnapyörien keskivälillä noin 10 mm). **(Kuva 32)**
- Sulje alempi kansi.

## TOIMINNAN KUVAUS

### Vannesahan terän kiristäminen (Kuva 33)

#### ⚠️ HUOMIO:

**Terä voi katketa, jos sitä kiristetään liikaa. Jos terä on puolestaan liian löysällä, vannesahan pyöritettävä pyörä voi luistaa, jolloin terä pysähtyy.**

1. Nosta ylempi teräohjain kokonaan ylös. Säädä kireyttä nuppia kiertämällä. Käytä säätämisessä apuna asteikkoo ja muista ottaa terän leveys huomioon. (Tarkista kireys säätämisen jälkeen kohdassa 2 kerrotulla tavalla.)
2. Terän kireyden tarkastaminen:
  - Tarkasta kireys työntämällä terää sormella sivultapäin pöydän ja ylempään teräohjaimen puolivälissä (terän tulee joustaa enintään 1–2 mm).
  - Tarkasta säätö terän kireyden osoittimesta. Oikea säätö näkyy asteikolla suhteessa vannesahan terän leveyteen.
3. Korjaa kireyttä tarvittaessa
  - tiukemmalle kääntämällä säätönuppia myötäpäivään
  - löysemmälle kääntämällä säätönuppia vastapäivään.

### Vannesahan terän kohdistaminen (Kuva 34)

Jos vannesahan terä ei kulje kumirenkaiden keskeltä, ohjausta pitää korjata säätämällä vannesahan ylempään pyörän kallistusta:

1. Löysää nuppia.
2. Kierrä ylempää pyörää käsin varoen koskettamasta terää.
3. Käännä säätönuppia myötäpäivään, jos vannesahan terä kulkee läheltä sahan etureunaa.
  - Käännä säätönuppia vastapäivään, jos vannesahan terä kulkee läheltä sahan takareunaa.
4. Sulje lukitusnuppi aina säätöjen tekemisen jälkeen. **(Kuvat 35)**

### Pikavapautusvipu (Kuvat 36)

Sahanterän jännitys vapautetaan pikavapautusvivulla.

Myötäpäivään: löysemmälle

Vastapäivään: kireämmälle

### Ylempään teräohjaimen säätäminen (Kuva 37)

Ylempään teräohjaimen korkeutta on tarpeen säätää ennen kutakin sahaus-/käyttökertaa siten, että se vastaa työkappaleen korkeutta (ylempään teräohjaimen tulee olla noin 3 mm työkappaleen yläpuolella), ja

- vannesahan terän tai pöydän säätämisen jälkeen (esim. vannesahan terän vaihtamisen tai kiristämisen ja sahan pöydän säätämisen jälkeen).

#### ⚠️ HUOMIO:

Ennen kuin säädät ylempää teräohjainta tai sahan pöydän kallistusta:

- Katkaise virta laitteesta.
- Odota, kunnes vannesahan terä on täysin pysähtynyt.

- Säädä ylempi teräohjain säätönupin avulla haluttuun korkeuteen löysäämällä lukitusnuppia.

Kiristä lukitusmutteri huolellisesti säätämisen jälkeen.

- Älä koskaan sahaa yhdellä kertaa useita työkappaleita tai useita kappaleista koostuvia nippuja. Jos yksittäiset kappaleet tarttuvat hallitsemattomasti terään, seurauksena voi olla tapaturma.

1. Löysää pultti C ja säädä laakerin pidin siten, että ohjauslaakeri on 1–2 mm terän takareunasta. **(Kuvat 38–40)**
2. Löysää pultti A ja säädä tukilaakeri niin, että sen etäisyys terän takareunasta on 0,5 mm.
3. Löysää pultti B ja säädä ohjauslaakeri niin, että sen etäisyys terästä on 0,5 mm.



## Alemman teräohjaimen kohdistaminen (Kuva 41)

Alempi teräohjain koostuu.

- tukilaakerista (tukee vannesahan terää takaa)
  - kahdesta ohjauslaakerista (tukevat terää sivusuunnassa).
- Nämä osat on tarpeen säätää uudelleen aina, kun vannesahan terä vaihdetaan tai sen ohjausta säädetään.

### Huomautus:

Tarkista tuki- ja ohjauslaakerit säännöllisin väliajoin kulumisen varalta ja vaihda tarvittaessa molemmat ohjauslaakerit samalla kertaa.

- Avaa alakotelon luukku ja alempi teränsuojus.
- Löysää kuusiopulttia, siirrä terän alasuojusta ja säädä ohjauslaakeri 1–2 mm:n etäisyydelle terän takareunasta.

## Tukilaakerin säätäminen

1. Löysää pultti A.
2. Säädä tukilaakerin asentoa. Tukilaakerin ja vannesahan terän välisen etäisyyden tulee olla 0,5 mm. Jos vannesahan terää liikutetaan käsin, sen ei pidä ottaa kiinni tukilaakeriin.
3. Kiristä pultti A.

## Ohjauslaakerien säätäminen (Kuvat 42)

1. Löysää pultti B.
2. Aseta ohjauslaakeri vannesahan terää vasten.
3. Kierrä vannesahan pyörää käsin vastapäivään useita kierroksia, jotta tukilaakerit asettuvat oikeaan asentoon. Löysää pultti A ja säädä tukilaakeri niin, että sen etäisyys terän takareunasta on 0,5 mm. Kummankin ohjauslaakerin tulee KOSKETTAA KEVYESTI vannesahan terää.
4. Kiristä pultti B uudelleen.
5. Sulje alempi teränsuojus.
6. Sulje alakotelon kansi.

## Sahan pöydän kohdistaminen suoraan kulmaan vannesahan terään nähden (Kuva 43 ja 44)

1. Nosta ylempi teräohjain kokonaan ylös (ks. kohta "Käyttö").
2. Tarkista vannesahan terän kireys (ks. kohta "TOIMINNAN KUNTO"). Jos haluat kallistaa pöytää vastapäivään, kierrä nuppia myötäpäivään. Jos haluat kallistaa pöytää myötäpäivään, kierrä nuppia vastapäivään.
3. Löysää lukitusvipua.
4. Säädä pöytä suorakulmalla suoraan kulmaan terään nähden ja kiristä lukitusvipu sitten uudelleen.
5. Säädä rajoitinruuvia siten, että se koskettaa sahan koteloa.

## Käyttö (Kuvat 45 ja 46)

### ⚠ Vaara:

**Loukkaantumiswaaran pienentämiseksi on syytä aina noudattaa seuraavia turvallisuus suosituksia sahaa käytettäessä.**

### ⚠ HUOMIO:

- Älä kosketa sahanterää sahaamisen aikana.
- Käytä sahaamisen aikana suojalaseja, mutta älä käytä käsineitä.
- Saha vain yhtä kappaletta kerrallaan.
- Pidä työkappale aina pöytää vasten.
- Älä jumiuta työkappaleita.
- Älä yritä hidastaa tai pysäyttää vannesahan terää työntämällä työkappaletta sivusta terää vasten.
- Kun sahaat suoraa leikkausta ohjainta vasten, käytä työntötikkua.
- Käytä työn niin edellyttäessä seuraavia:

- työntötikkua, jos halkaisuohtaimen ja sahanterän väli on  $\leq 150$  mm
  - kannatinta sahattaessa pitkiä kappaleita, jotka muutoin putoaisivat sahattuina pois pöydältä
  - pölynkeräintä
  - Kun sahaat pyöreää kappaletta, kiinnitä kappale tukevasti kaaviossa esitetyllä tavalla.
  - sopivaa ohjainta, joka tukee riittävästi ohutta kappaletta, kun sitä sahataan pystysuunnassa.
  - käsineet sahanterän ja karkeiden materiaalien käsittelemiseen.
- Tarkista ennen työskentelyn aloittamista, että seuraavat osat ovat toimintakunnossa:
    - vannesahan terä
    - ylempi ja alempi teränsuojus.
  - Vaihda vioittuneet osat välittömästi.
  - Varmista, että työskentelyasento on oikea (vannesahan hampaiden pitää osoittaa käyttäjää kohti).

## Sahaaminen

### ⚠ VAROITUS:

Takapotkuvaara (työkappale tarttuu kiinni vannesahan terään ja sinkoutuu käyttäjää kohti.)

Älä jumiuta työkappaletta.

- Valitse halkaisuohtain ja pöydän kallistus sahaustyön mukaan.
- Säädä ylempi teräohjain 3 mm työkappaleen yläpuolelle.

### Huomautus:

Tee aina koesahaus hukkapalaan ja tarkista säädöt. Korjaa niitä tarvittaessa ennen työkappaleen sahaamista.

- Aseta työkappale sahanterää vasten.
- Kytke virta.
- Käynnistä saha.
- Saha työkappale yhdellä keskeytymättömällä liikkeellä.
- Sammuta virta, jos sahausta ei välittömästi jatketa.
- Käytä erikseen myytävää alapöytää.

## Sahan pöydän kallistus (Kuva 47)

### ⚠ HUOMIO:

Jos teet viistesahausta pöytä kallistettuna, aseta ohjain pöydän alemmalle osalle.

Kun lukitusvipu löysätään, sahan pöytä kallistuu portaattomasti 47 astetta terään nähden.

Jos haluat kallistaa pöytää vastapäivään, kierrä nuppia myötäpäivään. Jos haluat kallistaa pöytää myötäpäivään, kierrä nuppia vastapäivään.

## Työkalun liittäminen pölynimuriin (Kuva 48 ja 49)

Sahaaminen on siistimpää, kun työkalu liitetään Makita-pölynimuriin tai pölynkeräimeen.

Jos suuriaukkoiseen keräimeen asennetaan pölynkeräin, varmista, että pölynkeräin on säädetty käyttämään suurta aukkoa.

## Laitteen siirtäminen (Kuva 50)

- Konetta voi siirtää kahvasta nostamalla.
- Kuljetuksen aikana sahanterän suojuksen on oltava alasennossa ja lähellä pöytätasoa.
- Älä siirrä laitetta suojuksista nostamalla.

### ⚠ HUOMIO:

- Kone voi kaatua, jos kahva nostetaan liian ylös.

# KUNNOSSAPITO

## ⚠️ HUOMIO:

- Varmista aina ennen tarkastuksia tai huoltotoita, että laite on sammutettu ja kytketty irti virtalähteestä.

## HUOMAUTUS:

- Älä koskaan käytä bensiiniä, ohentimia, alkoholia tms. aineita. Muutoin pinta voi halkeilla tai sen värit ja muoto voivat muuttua.

## Puhdistus

Puhdista silloin tällöin sahanpuru ja lastut. Puhdista teränsuojus ja vannesahan sisällä olevat liikkuvat osat huolellisesti.

## Voitelu

Varmistat vannesahan moitteettoman kunnon ja pitkän käyttöiän voitelemalla liikkuvat ja pyörivät osat säännöllisesti.

Voit vähentää syntyvää melua varmistamalla, että terä on terävä ja puhdas.

Tuotteen TURVALLISUUDEN ja TOIMINTAVARMUUDEN takaamiseksi kaikki korjaukset sekä muut huoltotyöt ja säädöt on teetettävä Makitan valtuutetussa huoltopisteessä Makitan varaosia käyttäen.

# LISÄVARUSTEET

## ⚠️ HUOMIO:

- Seuraavia lisävarusteita tai laitteita suositellaan käytettäväksi tässä ohjeessa kuvatun Makita-työkalun kanssa. Muiden lisävarusteiden tai laitteiden käyttö voi aiheuttaa henkilövahinkoja. Käytä lisävarustetta tai laitetta vain ilmoitettuun käyttötarkoitukseen. Jos tarvitset lisätietoja varusteista, ota yhteyttä Makitan paikalliseen huoltopisteeseen.

- Vannesahan jalusta
- Kuusiokoloavain
- Halkaisuohjain
- Kulma-asteikko
- Pyörösaha
- Jatkopöytä
- Nauhahiomalaite

## Koskee vain Euroopan maita

### Melutaso

Tyypilliset A-painotetut äänenpainetasot ovat

äänepainetaso: 81 dB (A)

äänitehotaso: 94 dB (A)

Virhemarginaali (K): 3 dB (A)

### Käytä kuulosuojaimia.

Nämä arvot on saatu standardin EN 61029 mukaisesti.

## EY-vaatimustenmukaisuusvakuutus

**Vastuullinen valmistaja Makita Corporation ilmoittaa vastaavansa siitä, että seuraava(t) Makitan valmistama(t) kone(et):**

Koneen tunnistetiedot: Vannesaha

Mallinro/tyyppi: LB1200F

ovat sarjavalmisteisia ja

**täyttävät seuraavien eurooppalaisten direktiivien vaatimukset:**

2006/42/EY

ja että ne on valmistettu seuraavien standardien tai standardoitujen asiakirjojen mukaisesti:

EN 61029

EY-tyyppitarkastustodistuksen numero: M6A 10 05 26932 017

EY-tyyppitarkastuksen suorittaja:

TÜV SÜD Product Service GmbH, Zertifizierstelle,

Ridlerstraße 65, 80339 München, Germany

Tunnistenumero 0123

Teknisen dokumentaation ylläpidosta vastaa valtuutettu Euroopan-edustajamme, jonka yhteystiedot ovat:

Makita International Europe Ltd.,

Michigan, Drive, Tongwell,

Milton Keynes, Bucks MK15 8JD, England

25. 05. 2010



Tomoyasu Kato

Johtaja

Makita Corporation

3-11-8, Sumiyoshi-cho,

Anjo, Aichi, JAPAN

# LIETUVIŲ KALBA (Originali instrukcija)

## Bendrasis aprašymas

1. Ratas	25. Korpusas	54. Pjovimo peilis
2. Viršutinis dangtis	26. Rankenėlė	55. Pjovimo korpusas
3. Lemputės jungiklis	27. Poveržlė	56. Apatinis apsauginis peilio gaubtas
4. Jungiklis	28. Šešiabriaunės lizdinės galvutės varžtas	57. Greito atlaisvinimo svirtis
5. Prakirtimo kreiptuvas	29. Plokštės spyruoklė	58. Apatinis juostinių pjovimo staklių ratas
6. Apatinis dangtis	30. Tvirtinimo anga	59. Variklio skriemulys
7. Nešimo rankena	31. Padėties nustatymo anga	60. Varantysis diržas
8. Dulkių surinkimo dėžė	32. Stalas	61. Varančiojo rato skriemulys
9. Rankenėlė (juostiniam peiliui įtempti)	33. Šešiakampiai varžtai	62. Maždaug 10 mm
10. Rankenėlė (viršutinėms korpuso drelėms tvirtinti)	34. Kakliukas	63. Fiksavimo rankenėlė
11. Rankenėlė (juostinio peilio kreiptuvui reguliuoti)	35. Kaištis	64. Reguliavimo rankenėlė
12. Rankenėlė (peilio kreiptuvui tvirtinti)	36. Sparnuotoji veržlė	65. Kreiptuvo guolis
13. Viršutinis peilio kreiptuvas	37. Kreipiamoji	66. Varžtas A
14. Juostinis peilis	38. Jungiklio dangtelis	67. Kreiptuvo guolio atstumas nuo peilio apačios
15. Rankenėlė (apatinėms korpuso drelėms tvirtinti)	39. IŠJUNGIMO jungiklis	68. Varžtas C
16. Rankenėlė (V formos diržui įtempti)	40. ĮJUNGIMO jungiklis	69. Varžtas B
17. Varantysis diržas	41. ĮJUNGT.	70. Guolio laikiklis
18. Stovas	42. Stūmimo lazda	71. Atraminis guolis
19. Ratukas	43. Įžambių kampų matuoklis	72. Varžtas
20. Fiksavimo svirtis (pakreipiamam stalui tvirtinti)	44. Fiksavimo rankena	73. Veržlė
21. Dulkių ištraukimo anga	45. Rankenėlė	74. Didelė anga kolektoriui prijungti
22. (Greito atlaisvinimo) svirtis	46. Rankenėlė (A)	75. Maža anga kolektoriui prijungti
23. Rankenėlė (pjovimo įrankio sekimui reguliuoti)	47. Kreiptuvas	76. Mažas dulkių rinktuvas (sumontuota ant pagrindinio įrenginio)
24. Rankena (pakreipiamam stalui reguliuoti)	48. Fiksavimo svirtis	77. Didelis dulkių rinktuvas (pakeitimui)
	49. Kreiptuvo laikiklis	78. Kreipiamoji
	50. Rankenėlė (B)	79. Briauna
	51. Tvirtinimo spaustuvas	80. Šešiakampis varžtas
	52. Sparnuotosios veržlės	
	53. Apsaugos nuo dulkių gaubtelis	

## TECHNINĖS SĄLYGOS

Modelis	LB1200F	
Rato dydis	305 mm	
Maks. pjovimo geba	165 mm	
Greitis be apkrovos	Didelis	840 min <sup>-1</sup> (50 Hz)/1 040 min <sup>-1</sup> (60 Hz)
	Mažas	420 min <sup>-1</sup> (50 Hz)/520 min <sup>-1</sup> (60 Hz)
Pjovimo greitis	Didelis	13,3 m/s (800 m/min) (50 Hz)/16,7 m/s (1 000 m/min) (60 Hz)
	Mažas	6,7 m/s (400 m/min) (50 Hz)/8,3 m/s (500 m/min) (60 Hz)
Peilio matmenys	Perimetras 2 240 mm x Plotis 6 mm, 13 mm, 16 mm	
Bendrieji matmenys	615 mm x 775 mm x 1 600 mm	
Stalo matmenys	560 mm x 400 mm	
Bendrasis svoris	81,2 kg	

- Dėl mūsų nuolat tęsiamos tyrimų ir plėtos programos čia pateiktos specifikacijos gali būti keičiamos be įspėjimo.
- specifikacijos įvairiose šalyse gali skirtis.
- Svoris pagal Europos elektrinių įrankių asociacijos nustatytą metodiką „EPTA -Procedure 01/2003“

### Simboliai

END215-2

Žemiau yra nurodyti įrangai naudojami simboliai. Prieš pradėdami jį naudoti, įsitikinkite, kad suprantate jų reikšmes.



..... Perskaitykite naudojimo instrukciją.



..... Ištraukite pagrindinį elektros kištuką.



..... Užsidėkite apsauginius akinius.



..... Saugokite rankas ir pirštus – laikykite juos atokiai nuo peilio.



..... Tikrai ES valstybėms

Neišmeskite elektros įrangos į buitinius šiukšlynus! Pagal ES direktyvą 2002/96/EB dėl naudotos elektros ir elektroninės įrangos ir jos įdiegimo pagal nacionalinius įstatymus, naudotą elektros įrangą būtina surinkti atskirai ir nugabenti antrinių žaliavų perdirbimui aplinkai nekenksmingu būdu.

### Numatytoji naudojimo paskirtis

Šis įrankis skirtas medienai pjauti.

### Maitinimo šaltinis

Šį įrankį reikia jungti tik prie tokio maitinimo šaltinio, kurio įtampa atitinka nurodytąją įrankio duomenų plokštelėje; galima naudoti tik vienfazį kintamosios srovės maitinimo šaltinį. Įrankis turi dvigubą

izoliacija, atsižvelgiant į Europos standartą, ir todėl jį taip pat galima jungti į neįžemintą elektros lizdą.

## SAUGOS NURODYMAI

ENA001-2

**⚠️ SPĖJIMAS:** Naudodami elektrinius įrankius, laikykitės būtinų saugos priemonių, įskaitant toliau nurodytas, kad sumažintumėte gaisro, elektros smūgio ir susižeidimo pavojų. Perskaitykite visus šiuos nurodymus prieš pradėdami naudoti šį gaminį ir išsaugokite šią instrukciją.

### Rūpindamiesi darbo sauga:

- Užtikrinkite darbo vietos švarą.**  
Netvarkingos vietos ir darbataliai gali sąlygoti sužeidimus.
- Atsižvelkite į darbo vietos sąlygas.**  
Saugokite elektrinius įrankius nuo lietaus. Nenaudokite elektrinių įrankių drėgnose ar šlapiose vietose. Pasirūpinkite, kad darbo vieta būtų gerai apšviesta. Nenaudokite elektrinių įrankių ten, kur gali kilti gaisras arba sprogdimas.
- Apsisaugokite nuo elektros smūgio.**  
Venkite kontakto su įžemintais paviršiais (pavyzdžiui, vamzdžiais, radiatoriais, viryklėmis, šaldytuvais).
- Saugokite nuo vaikų.**  
Neleiskite pašaliniams asmenims liesti šio įrankio arba ilginimo laido.  
Darbo vietoje neturėtų būti pašalinių asmenų.
- Prieš padėdami įrankius į vietą, išjunkite juos.**  
Nenaudojamus įrankius reikia laikyti atskirai sausoje, aukštoje arba rakinamoje, vaikams nepasiekiamoje vietoje.
- Nenaudokite jėgos su įrankiu.**  
Įrankis veikia geriau ir saugiai, kai naudojate jį numatytu greičiu.
- Naudokite tinkamą įrankį.**  
Nenaudokite smulkių įrankių ar priedų atlikti darbams, kuriems reikia galingo įrankio. Naudokite įrankius tik pagal numatytą naudojimo paskirtį; pavyzdžiui, nenaudokite diskinių pjūklį medžių šakoms genėti arba rąstams pjauti.
- Naudokite tinkamą aprangą.**  
Nedėvėkite laisvų rūbų arba laisvai kabančių papuošalų, nes juos gali užkabinti judančios dalys. Dirbant lauke, rekomenduojama mėvėti gumines pirštines ir avėti avalynę neslystančiais padais. Dėvėkite apsauginį plaukų apdangalą, kad prilaikytų ilgus plaukus.
- Naudokite apsauginius akinius ir ausų apsaugas.**  
Be to, jei pjovimo metu kyla daug dulkių, dėvėkite antveidį arba dulkių kaukę.
- Prijunkite dulkių ištraukimo įrenginį.**  
Jeigu papildomiems dulkių ištraukimo ir surinkimo įrenginiams prijungti yra numatyti prietaisai, patikrinkite, ar jie prijungti ir tinkamai naudojami.
- Saugokite laidą.**  
Niekada neneškite įrankio laikydami už laido ir netraukite už jo išjungdami iš lizdo. Saugokite laidą nuo karščio, alyvos ir aštrių kraštų.
- Pritvirtinkite ruošinį.**  
Ruošinį užfiksuokite spaustuvais ar gniaužtuvais. Taip yra saugiau nei laikyti ranka; be to, tai atlaisvina abi rankas įrankiui valdyti.
- Nepersitempkite.**  
Visada tvirtai remkitės kojomis ir išlaikykite lygsvarą.
- Kruopščiai prižiūrėkite įrankius.**  
Pjovimo įrankiai turi būti aštrūs ir švarūs, tada jie veiks geriau ir saugiau. Laikykitės tepimo ir priedų keitimo nurodymų. Periodiškai patikrinkite įrankio laidą ir, jei jis pažeistas, atiduokite pataisyti įgaliotajai techninio aptarnavimo tarnybai.

Reguliariai tikrinkite ilginimo laidus ir, jeigu jie pažeisti, pakeiskite. Rankenos turi būti sausas, švarios ir neišteptos tepalu.

- Atjunkite įrankius.**  
kai jų nenaudojate, prieš atlikdami techninės priežiūros darbus ir keisdami priedus, pavyzdžiui, diskus, antgalius ir peilius.
- Išimkite reguliavimo varžtus ir veržliarakčius.**  
Išsiugdykite įprotį tikrinti, ar raktai ir veržliarakčiai išimti iš įrankio, prieš jį įjungdami.
- Venkite atsitiktinio įrankio įjungimo.**  
Nenešiotkite įjungto įrankio, laikydami pirštą ant jungiklio. Prieš įjungdami įrankį į maitinimo tinklą, įsitinkite, kad jo jungiklis yra išjungtas.
- Naudokite darbui lauke tinkamus ilginimo laidus.**  
Dirbdami su įrankiais lauke, naudokite tik darbui lauke skirtus ilginimo laidus.
- Būkite budrūs.**  
Žiūrėkite, ką darote. Vadovaukitės sveiku protu. Nenaudokite prietaiso, kai esate pavargę.
- Tikrinkite, ar nėra sugadintų dalių.**  
Prieš toliau naudodami įrankį, atidžiai apžiūrėkite sugadintą apsauginį įtaisą ar kitą dalį ir nustatykite, ar ji veiks tinkamai ir atliks savo funkciją. Tikrinkite judančių dalių išlygiavimą, ar jos laisvai juda, ar nėra sulūžusių dalių, ar tinkamas montavimas ar kiti aspektai, svarbūs įrankio veikimui. Sugadintą apsauginį įtaisą ar kitą dalį reikia tinkamai remontuoti arba pakeisti įgaliotajame techninio aptarnavimo centre, nebent šioje instrukcijoje nurodyta kitaip. Sugedusius jungiklius turi pakeisti įgaliota priežiūros įmonė. Nenaudokite įrankio, jeigu jo įjungimo/išjungimo jungiklis sugedęs.
- Įspėjimas.**  
Naudodami bet kokį priedą ar papildomą įtaisą, nerekomenduojamą šioje instrukcijoje, rizikuojate susižeisti.
- Įrankį leidžiama remontuoti tik kvalifikuotiems asmenims.**  
Šis elektrinis įrankis atitinka galiojančius saugos reikalavimus. Taisyti turėtų tik kvalifikuoti asmenys, naudodami originalias atsargines dalis, priešingu atveju, tai gali kelti didelį pavojų vartotojui.

## PAPILDOMOS ĮRANKIO SAUGOS TAISYKLĖS

### SAUGOKITE ŠIAS INSTRUKCIJAS.

- Dėvėkite apsauginius akinius.**
- Nenaudokite įrankių, jei šalia yra degių skysčių ar dujų.**
- Visada dėvėkite antveidį arba nuo dulkių apsaugančią kaukę.**
- Prieš pradėdami naudoti, patikrinkite peilį, ar jame nėra įtrūkimų ar pažeidimų. Nedelsiant pakeiskite įtrūkusį arba apgadintą peilį nauju.**
- Naudokite tik gamintojo rekomenduojamus pjovimo diskus, atitinkančius standartą EN847-1.**
- Naudokite tik šioje instrukcijoje rekomenduojamus priedus. Naudojant netinkamus priedus, pavyzdžiui, šlifuojamuosius pjovimo diskus, galima susižeisti.**
- Rinkdamiesi pjovimo peilius, atsižvelkite į medžiagą, kurią pjausite.**
- Nenaudokite pjovimo peilių, pagamintų iš greitapjovio plieno.**
- Siekdami sumažinti keliamą triukšmą, visuomet pasirūpinkite, kad peilis būtų aštrus ir švarus.**
- Nepjaukite metalinių daiktų, pvz., vinių ir varžtų. Prieš pradėdami dirbti, apžiūrėkite ruošinį ir ištraukite iš jo visas vinius, varžtus ir kitus pašalinius daiktus.**

11. Prieš įjungdami jungiklį, nuimkite nuo stalo veržliarakčius, nuopjovas ir pan.
12. Dirbdami NIEKUOMET mūvėkite pirštinių.
13. Žiūrėkite, kad rankos būtų kuo toliau nuo pjovimo peilio linijos.
14. JOKIU BŪDU nestovėkite ir neleiskite stovėti kitiems pjovimo peilio veikimo linijoje.
15. Prieš naudodami įrankį su ruošiniu, leiskite jam kurį laiką veikti be apkrovos. Atkreipkite dėmesį į vibraciją arba klībėjimą - tai reikštų, kad įrankis netinkamai sumontuotas, arba kad geležtė blogai subalansuota.
16. Pakeiskite nusidėvėjusį stalo įdėklą.
17. Pjaudami medieną, prijunkite juostines pjovimo stakles prie dulkių surinkimo įrenginio.
18. Nenaudokite įrenginio, jei apsauginės juostinių pjovimo staklių drelės arba apsauginis įtaisas yra atidaryti.
19. Atkreipkite dėmesį, kad juostinį peilį ir pjovimo greitį reikia pasirinkti pagal medžiagą, kurią pjausite.
20. Nevalykite juostinių pjovimo staklių, kai jos veikia.

## MONTAVIMAS (1 ir 2 pav.)

### Juostinių pjovimo staklių stovo tvirtinimas

Jeigu įtariate, kad darbo metu juostinės pjovimo staklės gali apvirsti, pasisilinkti arba pajudėti, juostinių staklių stovą reikia pritvirtinti prie grindų. (3 – 7 pav.)

- Pritvirtinę stovą, uždėkite rankeną ir ratukus. (8 pav.)

### Kaip uždėti dulkių surinkimo dėžę

Dulkių surinkimo dėžę uždedama iš staklių stalo apatinės pusės. Uždėdami, įdėkite plokštės spyruoklę (tvirtinimui) į vidinį staklių padėties nustatymo angos kraštą, įkiškite abi dulkių surinkimo dėžės briaunas į kreipiamąsias, tuomet slinkite išorės link.

Kai priekinis tvirtinimo plokštės spyruoklės kraštas įsitaisys staklių tvirtinimo angoje, dulkių surinkimo dėžę bus uždėta. (9 ir 10 pav.) Pritvirtinkite stalą prie kakliuko keturiais šešiakampiais varžtais. (11 pav.)

Kaištis įkištas pristatymo metu, todėl ištraukite jį. (12 pav.)

### Kreipiamosios montavimas (13 pav.)

- Priveržkite kreipiamąją prie stalo keturiomis sparnuotosiomis veržlėmis ir poveržlėmis.

## FUNKCINIS APRAŠYMAS

### Įjungimas (14 pav.)

#### ⚠ PERSPĖJIMAS:

- Prieš pradėdami darbą, patikrinkite, ar įrankį galima įjungti ir išjungti.

Jungiklio dangtelį galima lengvai atidengti, slenkant jį aukštyn. Norėdami įjungti įrankį, paspauskite ĮJUNGIMO (I) mygtuką. Norėdami išjungti, paspauskite IŠJUNGIMO (O) mygtuką arba jungiklio dangtelį.

### Lemputės uždegimas

Norėdami įjungti lemputę, spaukite viršutinę (I) jungiklio dalį; spauskite apatinę (O) jungiklio dalį, jeigu norite ją išjungti. Įrankiui įjungti, tiesiog paspauskite svirtinį jungiklį. (15 pav.) Norėdami sustabdyti, nuleisite svirtinį jungiklį.

### Stūmimo lazda (16 pav.)

Stūmimo lazda naudojama kaip ilginimo įrankis, kuris apsaugo nuo netyčinio prisilietimo prie pjovimo peilio.

Jeigu atstumas tarp juostinių pjovimo staklių peilio ir prakirtimo kreiptuvo yra mažesnis nei 150 mm, visuomet būtina naudoti stūmimo lazda.

Atremkite stūmimo lazda į pjovimo stalo paviršių 20° ... 30° kampų. (17 pav.)

Jei stūmimo lazda nenaudojama, ją galima laikyti pakabintą ant stūmimo lazdai skirto laikiklio, įrengto ant juostinių pjovimo staklių korpuso.

Apgadintą stūmimo lazda pakeiskite nauja.

### Nuožambių kampų matuoklis (18 pav.)

Nuožambių kampų matuoklis įstatomas į stalo angą iš stalo priekinio krašto.

Nuožambiams pjūviams atlikti, nuožambių kampų matuoklį galima pasukti 60° kampu abejomis kryptimis.

45° ir 90° nuožambių kampų pjūviams atlikti pateikti teigiamų kampų stabdikliai.

Norėdami nustatyti nuožambų kampą: atlaisvinkite fiksavimo rankeną, pasukdami ją prieš laikrodžio rodyklę.

#### ⚠ ĮSPĖJIMAS:

**Pjovimo metu naudojant nuožambių kampų matuoklį, fiksavimo rankena privalo būti tvirtai priveržta.**

Atlaisvinus rankenėlę, pagalbinį kreiptuvą galima nuimti ir apversti.

### Prakirtimo kreiptuvo montavimas (19 pav.)

Prakirtimo kreiptuvą galima montuoti bet kurioje peilio pusėje. Perkeliant prakirtimo peilį iš vienos pjovimo peilio pusės į kitą, kreiptuvą apversti.

### Kreiptuvo apvertimas (20 pav.)

1. Atlaisvinkite tvirtinimo spaustuvo rankenėlę (B).
2. Nuimkite tvirtinimo spaustuvą nuo kreiptuvo.
3. Atlaisvinkite rankenėlę (A).
4. Nuimkite kreiptuvą nuo kreiptuvo laikiklio.
5. Apverskite kreiptuvą ir vėl įkiškite jį į kreiptuvo laikiklį.
6. Priveržkite rankenėlę (A).
7. Užmaukite tvirtinimo spaustuvą ant kreiptuvo.

### Prakirtimo kreiptuvo pritvirtinimas

1. Dėkite prakirtimo kreiptuvą ant kreipiamosios.
2. Priveržkite prakirtimo kreiptuvo fiksavimo svirtį.
3. Atlaisvinkite tvirtinimo spaustuvo rankenėlę (B).
4. Pritumkite tvirtinimo spaustuvą prie stalo galinio krašto.
5. Priveržkite rankenėlę (B).

Pjaunant plonus ruošinius, kreiptuvą galima nuleisti. (21 ir 22 pav.)

1. Atlaisvinkite tvirtinimo spaustuvo rankenėlę (B).
2. Nuimkite tvirtinimo spaustuvą nuo kreiptuvo.
3. Atlaisvinkite rankenėlę (A).
4. Nuimkite kreiptuvą nuo kreiptuvo laikiklio.
5. Patraukite rankenėlę (A) šalin nuo kreiptuvo, kad galėtumėte nuimti.
6. Pasukite kreiptuvą 90° kampu.
7. Įkiškite rankenėlę (A) į kitą kreiptuve esančią angą.
8. Vėl įdėkite kreiptuvą į kreiptuvo laikiklį.
9. Priveržkite rankenėlę (A).
10. Užmaukite tvirtinimo spaustuvą ant kreiptuvo.

Nuleidus kreiptuvą, pasikeičia 0 (nulinio) taško padėtis. Jeigu prakirtimo kreiptuvas yra kairėje peilio pusėje, norėdami nustatyti 0 tašką, slinkite kreipiamąją kairėn.

# MONTAVIMAS

## Juostinių pjovimo staklių peilio keitimas

### ⚠️ ĮSPĖJIMAS:

- Prisilietus prie juostinių pjovimo staklių peilio net tada, kai juostinių pjovimo staklių peilis neveikia, galima susižeisti.
  - Pjovimo peilis kelia pavojų.
    - Imdami pjovimo peilį, pavyzdžiui, išimdami iš pakuotės, montuodami jį arba keisdami, būtinai mūvėkite pirštines.
1. Atsukite dvi dešinės pusės kreipiamosios sparnuotąsias veržles ir slinkite dešinės pusės kreipiamąją dešinienę. **(23 pav.)**
  2. Atidenkite viršutinį ir apatinį įrankio dangčius. **(24 pav.)**
  3. Laikykite už rankenos ir traukite apsaugos nuo dulkių dangtelį viršun, kad nuimtumėte. **(25 pav.)**
  4. Atidarykite apatinį apsauginį peilio gaubtą. **(26 pav.)**
  5. Nustatykite viršutinį peilio kreiptuvą į jo žemiausią padėtį.
  6. Atleisdinėkite greito atlaisvinimo svirtį, kol juostinių pjovimo staklių peilis atsileis. **(27 pav.)**
  7. Norėdami nuimti juostinių pjovimo staklių peilį, prakiškite jį pro:
    - pjovimo peilio angą;
    - peilio apsauginį gaubtą ties viršutiniai peilio kreiptuvais;
    - peilio apsauginį dangtį ties pjovimo staklių korpusu.
  8. Įtaisykite naują juostinių pjovimo staklių peilį. Atkreipkite dėmesį į tinkamą padėtį: dantukai turi būti nukreipti pjovimo staklių priekinės (durelių) pusės link.
  9. Sucentruokite juostinių pjovimo staklių peilį ant juostinių pjovimo staklių ratų guminių ratukų.
  10. Veržkite greito atlaisvinimo svirtį, kol peilis nebeslys nuo juostinių pjovimo staklių ratų.
  11. Uždarykite apatinį apsauginį peilio gaubtą.

### ⚠️ ĮSPĖJIMAS:

- Apatinį dangtį uždarykite tik tada, kai apatinis apsauginis peilio gaubtas yra uždarymo padėtyje.
12. Sugražinkite dešinės pusės kreipiamąją į jos pradinę padėtį. **(28 ir 29 pav.)**
  13. Sumontuokite apsaugos nuo dulkių dangtelį.
  14. Uždarykite abu dangčius.
  15. Tuomet:
    - įtempkite juostinių pjovimo staklių peilį (žr. skirsnį „Juostinių pjovimo staklių peilio įtempimas“, esantį skyriuje „VEIKIMO APRAŠYMAS“);
    - išlyginkite juostinių pjovimo staklių peilį (žr. skirsnį „Juostinių pjovimo staklių peilio išlyginimas“, esantį skyriuje „MONTAVIMAS“);
    - išlyginkite peilio kreiptuvus (žr. skirsnį „Peilio viršutinio kreiptuvo reguliavimas“, esantį skyriuje „VEIKIMO APRAŠYMAS“);
    - paleiskite stakles bent vienai minutei, kad patikrintumėte, kaip veikia peilis;
    - sustabdykite stakles, atjunkite jas nuo maitinimo tinklo ir dar kartą patikrinkite nustatymus.

## Pjovimo greičio reguliavimas (30 pav.)

1. Atidarykite apatinį dangtį.
2. Atlaisvinkite varantįjį diržą, sukdami rankenėlę pagal laikrodžio rodyklę.
3. Uždėkite varantįjį diržą ant varančiojo rato (apatinio juostinių pjovimo staklių rato) reikiamo skriemulio ir atitinkamo variklio skriemulio – atkreipkite dėmesį į apatinio dangčio viduje esančią etiketę.

### ⚠️ ĮSPĖJIMAS:

Varantysis diržas privalo būti uždėtas arba ant abiejų priekinių, arba ant abiejų galinių skriemulių. Niekada nedėkite V formos diržo įstrižai.

## Diržo įtempimo rankenėlės nustatymas (31 pav.)

Jeigu reikia, nustatymo rankenėle galima pakoreguoti diržo įtempimą:

- sukant nustatymo rankenėlę pagal laikrodžio rodyklę, varančiojo diržo įtempimas mažėja;
- sukant nustatymo rankenėlę prieš laikrodžio rodyklę, varančiojo diržo įtempimas didėja.

Vėl įtempkite varantįjį diržą, sukdami rankenėlę prieš laikrodžio rodyklę (nuspaudus varantįjį diržą per vidurį tarp skriemulių, jis turi įlįkti maždaug 10 mm). **(32 pav.)**

Uždenkite apatinį dangtį.

# VEIKIMO APRAŠYMAS

## Juostinių pjovimo staklių peilio įtempimas (33 pav.)

### ⚠️ ĮSPĖJIMAS:

**Per stipriai įtempus juostinių pjovimo staklių peilį, jis gali trūkti. Per mažai įtempus juostinių pjovimo staklių peilį, jis gali nuslysti ir juostinių pjovimo staklių peilis gali sustoti.**

1. Iki galo pakelkite viršutinį peilio kreiptuvą.
  - Naudodamiesi skale ir atsižvelgdami į peilio plotį, sukite rankenėlę, kad nustatytumėte įtempimą. (Pareguliuavę, patikrinkite įtempimą, kaip parodyta 2 punkte).
2. Peilio įtempimo tikrinimas:
  - patikrinkite įtempimą, paspausdami pirštu per vidurį tarp stalo ir viršutinio peilio kreiptuvo (peilis neturi įlįkti daugiau nei 1–2 mm).
  - patikrinkite nustatymą peilio įtempimo indikatoriuje. Skalė parodo tinkamą nustatymą, atsižvelgiant į juostinių pjovimo staklių peilio plotį.
3. Jeigu reikia, pakoreguokite įtempimą:
  - sukant nustatymo rankenėlę pagal laikrodžio rodyklę, peilio įtempimas didėja;
  - sukant nustatymo rankenėlę prieš laikrodžio rodyklę, peilio įtempimas mažėja.

## Juostinių pjovimo staklių peilio išlyginimas (34 pav.)

Jeigu juostinių pjovimo staklių peilis eina ne per guminių ratukų centrą, jį reikia pakoreguoti, pareguliuojant viršutinio juostinių pjovimo staklių rato pakreipimą:

1. Atlaisvinkite rankenėlę.
2. Ranka pasukite viršutinį ratą, saugodamiesi, kad nepaliesumėte peilio.
3. Jeigu juostinių staklių peilis eina staklių priekio link, sukite nustatymo rankenėlę pagal laikrodžio rodyklę.
  - jeigu juostinių staklių peilis eina staklių galo link, sukite nustatymo rankenėlę prieš laikrodžio rodyklę.
4. Pareguliuavę, visuomet užtvirtinkite fiksavimo rankenėlę. **(35 pav.)**

## Greito atlaisvinimo svirtis (36 pav.)

Greito atlaisvinimo svirtimi atlaisvinamas pjovimo staklių peilio įtempimas.

Sukant pagal laikrodžio rodyklę: įtempimas mažėja  
Sukant prieš laikrodžio rodyklę: įtempimas didėja

## Peilio viršutinio kreiptuvo reguliavimas (37 pav.)

Peilio viršutinio kreiptuvo aukštį reikia pareguliuoti:

prieš atliekant kiekvieną pjūvį/darbą pagal ruošinio aukštį (peilio viršutinis kreiptuvus turi būti nustatytas maždaug 3 mm virš ruošinio);

- atlikus juostinių pjovimo staklių peilio arba staklių stalo reguliavimo darbus (pvz., pakeitus juostinių pjovimo staklių peilį, paregulius juostinių pjovimo staklių peilio įtempimą, išlyginus staklių stalą).

### ⚠ PERSPĖJIMAS:

Prieš pradėda reguliuoti peilio viršutinį kreiptuvą ir staklių stalo pakreipimą:

- IŠJUNKITE stakles;
  - palaukite, kol juostinių pjovimo staklių peilis visiškai sustos.
- Atlaisvinę fiksavimo rankenėlę, reguliavimo rankenėle nustatykite peilio viršutinį kreiptuvą į pageidaujamą aukštį. Atlikę nustatymą, būtinai tvirtai užveržkite fiksavimo veržlę.
  - Niekada nepjaukite kelių ruošinių vienu metu — taip pat nepjaukite ryšulių, sudarytų iš kelių atskirų dalių. Pjovimo peilis gali nekontroliuojamai pagauti atskiras dalis ir sužeisti operatorių.
1. Atlaisvinkite varžtą C ir pareguliuokite guolio laikiklį, kad kreiptuvo guolis būtų nustatytas 1 arba 2 mm atstumu nuo peilio apačios. **(38 – 40 pav.)**
  2. Atlaisvinkite varžtą A ir pareguliuokite atraminį guolį, kad jis būtų nustatytas 0,5 mm atstumu nuo peilio užpakalinės dalies.
  3. Atlaisvinkite varžtą B ir pareguliuokite kreiptuvo guolį, kad jis būtų nustatytas 0,5 mm atstumu nuo peilio.

## Peilio apatinio kreiptuvo išlyginimas (41 pav.)

Peilio apatinį kreiptuvą sudaro:

- atraminis guolis (laikantis juostinių pjovimo staklių peilį iš galo);
  - du kreiptuvo guoliai (užtikrinantys šoninę atramą).
- Kiekvieną kartą pakeitus juostinių pjovimo staklių peilį arba paregulius jo nutiesimą, šias dalis reikia pareguliuoti iš naujo.

### Pastaba:

Reguliariai tikrinkite atraminius guolius ir kreiptuvo guolius, ar jie nesusidėvėję; jeigu reikia, abu kreiptuvo guolius keiskite vienu metu.

- Atidarykite apatinio dangčio dureles ir peilio apatinį apsauginį gaubtą.
- Atlaisvinkite šešiakampį varžtą, patraukite visą apatinį peilio kreiptuvą ir pareguliuokite atraminį guolį, kad jis būtų nustatytas 1 mm arba 2 mm atstumu nuo apatinės peilio dalies.

## Atraminio guolio reguliavimas

1. Atlaisvinkite varžtą A.
2. Nustatykite atraminio guolio padėtį (atstumas tarp atraminio guolio ir juostinių pjovimo staklių peilio = 0,5 mm — ranka pasukus juostinių pjovimo staklių peilį, jis neturi liesti atraminio guolio).
3. Priveržkite varžtą A.

## Kreiptuvo guolių reguliavimas (42 pav.)

1. Atlaisvinkite varžtą B.
2. Nustatykite kreiptuvo guolį pagal juostinio pjovimo staklių peilį.
3. Kelis kartus ranka pasukite juostinių pjovimo staklių ratą pagal laikrodžio rodyklę, kad nustatytumėte kreiptuvo guolius tinkamoje padėtyje. Atlaisvinkite varžtą A ir pareguliuokite atraminį guolį, kad jis būtų nustatytas 0,5 mm atstumu nuo peilio užpakalinės dalies. Abu kreiptuvo guoliai turi VOS LIESTI juostinių pjovimo staklių peilį.
4. Vėl priveržkite varžtą B.

5. Uždarykite apatinį apsauginį peilio gaubtą.
6. Uždenkite apatinio dangčio dureles.

## Staklių stalo nustatymas stačiu kampu juostinio peilio atžvilgiu (43 ir 44 pav.)

1. Iki galo pakelkite viršutinį peilio kreiptuvą (žr. „Naudojimas“).
2. Patikrinkite juostinių pjovimo staklių peilio įtempimą (žr. „VEIKIMO APRAŠYMAS“).  
Sukite rankeną pagal laikrodžio rodyklę, kad pakreiptumėte stalą prieš laikrodžio rodyklę; sukite rankeną prieš laikrodžio rodyklę, kad pakreiptumėte stalą pagal laikrodžio rodyklę.
3. Atlaisvinkite fiksavimo svirtį.
4. Naudodami kampainį, nustatykite stalą stačiu kampu peilio atžvilgiu, sukdami rankeną stalui nustatyti, ir vėl priveržkite fiksavimo svirtį.
5. Sukite stabdiklio varžtą tol, kol jis lies staklių korpusą.

## Naudojimas (45 ir 46 pav.)

### ⚠ Pavojus:

**Norint kaip įmanoma labiau sumažinti pavojų susižeisti, naudojant šias stakles, būtina vadovautis toliau nurodytomis saugos rekomendacijomis.**

### ⚠ ĮSPĖJIMAS:

- Pjaudami, nelieskite pjovimo peilio.
- Pjovimo metu dėvėkite apsauginius akinius, bet nemūvėkite pirštinių.
- Vienu metu pjaukite tik po vieną ruošinį.
- Visuomet dėkite ruošinį ant stalo.
- Nesuspauskite ruošinių.
- Nemėginkite sulėtinti arba sustabdyti juostinių pjovimo staklių peilio, stumdami ruošinį iš kitos pusės pjovimo peilio link.
- Atlikdami tiesų pjūvį, atrėmę ruošinį į kreiptuvą, naudokite stūmimo lazda.
- Pjaudami skirtingų formų ruošinius, naudokite:
  - stūmimo lazda — jeigu atstumas tarp prakirtimo kreiptuvo ir juostinių pjovimo staklių peilio yra  $\leq 150$  mm;
  - ruošinio atramą — ilgiems ruošiniams, kurie, pabaigus pjauti, gali nukristi nuo stalo;
  - dulkių rinktuvą;
  - pjaudami apvalius ruošinius, tvirtai įtvirtinkite juos, kaip pavaizduota schemeje.
  - tinkamą kreiptuvą tvirtai atramai užtikrinti, jei pjaunate ploną, ant krašto paguldytą ruošinį.
  - pirštinės juostiniam pjovimo peiliui ir žaliavoms tvarkyti.
- Prieš pradėdami darbą, patikrinkite, ar toliau nurodytieji yra tinkamos darbinės būklės:
  - juostinių pjovimo staklių peilis;
  - viršutinis ir apatinis apsauginiai peilio gaubtai.
- Apgadintas dalis nedelsdami pakeiskite naujomis.
- Įvertinkite tinkamą darbo padėtį (juostinių pjovimo staklių peilio dantukai privalo būti nukreipti operatoriaus link).

## Pjovimas

### ⚠ ĮSPĖJIMAS:

Atatranks pavojus (juostinių pjovimo staklių peilis pagauna ruošinį ir sviedžia jį operatoriaus link).

Nesuspauskite ruošinių.

- Pasirinkite atliekamai pjovimo operacijai tinkamą prakirtimo kreiptuvą ir tinkamai pakreipkite stalą.
- Nustatykite peilio viršutinį kreiptuvą, kad jis būtų 3 mm virš ruošinio.

### **Pastaba:**

Visuomet atlikite bandomąjį pjūvį medžio atraižoje, kad įsitikintumėte, ar nustatymai yra tinkami; jeigu reikia, pakoreguokite juos prieš pradėdami pjauti ruošinį.

- Dėkite ruošinį ant staklių stalo.
- Įjunkite staklių kištuką į maitinimo lizdą.
- Paleiskite stakles.
- Pjaukite ruošinį vienu nepertraukiamu pjūviu.
- Išjunkite stakles, jeigu tuoj pat po to nepjausite kito ruošinio.
- Naudokite atskirai įsigijamą papildomą stalą.

### **Staklių stalo pakreipimas (47 pav.)**

#### **⚠️ ĮSPĖJIMAS:**

Pjaudami įstrižus kampus pakreipę stalą, kreiptuvą tvirtinkite apatinėje stalo dalyje.

Atlaisvinus fiksavimo svirtį, staklių stalą galima sklandžiai pakreipti iki 47° kampu peilio atžvilgiu.

Sukite rankeną pagal laikrodžio rodyklę, kad pakreiptumėte stalą prieš laikrodžio rodyklę; sukite rankeną prieš laikrodžio rodyklę, kad pakreiptumėte stalą pagal laikrodžio rodyklę.

### **Dulkių siurblio prijungimas (48 ir 49 pav.)**

Prijungus prie įrankio „Makita“ dulkių siurblių arba dulkių rinktuvą, darbus galima atlikti švariau.

Jeigu dulkių trauktuvą montuojamas ant didelės angos kolektoriaus, perjunkite dulkių kolektorių, kad jis turėtų didelę angą.

### **Kaip transportuoti stakles (50 pav.)**

- Pakelkite rankeną, kad galėtumėte pajudinti stakles.
- Gabenant pjovimo stakles, juostinio peilio apsauginis dangtis privalo būti visiškai nuleistas ir pritvirtintas prie stalo.
- Neneškite arba negabenkite įrankio, laikydami už apsauginio dangčio.

#### **⚠️ ĮSPĖJIMAS:**

- Jeigu rankeną pakelsite per aukštai, staklės gali apvirsti.

## **TECHNINĖ PRIEŽIŪRA**

#### **⚠️ ĮSPĖJIMAS:**

- Prieš bandydami atlikti patikrinimo ir techninės priežiūros darbus, visuomet įsitinkite, kad įrankis yra išjungtas ir atjungtas nuo maitinimo šaltinio.

#### **PASTABA:**

- Niekada nenaudokite gazolino, benzino, tirpiklio, spirito arba panašių medžiagų. Gali atsirasti išblukimų, deformacijų arba įtrūkimų.

#### **Valymas**

Retkarčiai nuvalykite pjuvenas ir drožles. Atsargiai nuvalykite pjovimo disko apsaugą ir juostinių pjovimo staklių viduje esančias judamąsias dalis.

#### **Tepimas**

Norėdami palaikyti gerą juostinių pjovimo staklių darbinę būklę ir užtikrinti maksimalų jų eksploatacavimo laiką, judamąsias ir besisukančias dalis retkarčiais patepkite alyva arba tepalu.

Siekdami sumažinti keliamą triukšmą, visuomet pasirūpinkite, kad peilis būtų aštrus ir švarus.

Kad gaminyt būtų SAUGUS ir PATIKIMAS, jį taisyti, apžiūrėti ar vykdyti bet kokią kitą priežiūrą ar derinimą turi įgaliotasis

kompanijos „Makita“ techninės priežiūros centras; reikia naudoti tik kompanijos „Makita“ pagamintas atsargines dalis.

## **PRIEDAI**

#### **⚠️ PERSPĖJIMAS:**

- Šiuos papildomus priedus arba įtaisus rekomenduojama naudoti su šioje instrukcijoje nurodytu „Makita“ bendrovės įrankiu. Naudojant bet kokius kitus papildomus priedus arba įtaisus, gali kilti pavojus sužeisti žmones. Naudokite tik nurodytam tikslui skirtus papildomus priedus arba įtaisus. Jei reikia kokios nors pagalbos ir išsamesnės informacijos apie šiuos papildomus priedus, kreipkitės į vietinį „Makita“ bendrovės techninės priežiūros centrą.

- Juostinių pjovimo staklių stovas
- Šešiabriaunis veržliaraktis
- Prakirtimo kreiptuvas
- Įžambių kampų matuoklis
- Apskritas pjovimo priedas
- Ilginimo stalas
- Diržo šlifavimo priedas

#### **Tik Europos šalims**

##### **Triukšmas**

Paprastai A svorinis triukšmo lygis yra

garso slėgio lygis: 81 dB (A)

garso galios lygis: 94 dB (A)

Paklaida (K): 3 dB (A)

##### **Naudokite ausų apsaugos priemones.**

Šios reikšmės nustatytos pagal EN61029 standartą.

#### **EB atitikties deklaracija**

**Mes, „Makita Corporation“ bendrovė, būdami atsakingas gamintojas, pareiškiame, kad šis „Makita“ mechanizmas(-ai):**

Mechanizmo paskirtis: Juostinės pjovimo staklės

Modelio Nr./ tipas: LB1200F

priklauso serijinei gamybai ir

**atitinka šias Europos direktyvas:**

2006/42/EB

ir yra pagamintas pagal šiuos standartus arba normatyvinius dokumentus:

EN61029

EB tipo patikrinimo sertifikato Nr. M6A 10 05 26932 017

EB tipo patikrinimą atliko:

TÜV SÜD Product Service GmbH, Zertifizierstelle,

Ridlerstraße 65, 80339 München, Germany (Vokietija)

Identifikacijos Nr. 0123

Techninė dokumentacija saugomas pas mūsų įgaliotąjį atstovą Europoje, kuris yra adresu:

Makita International Europe Ltd.,

Michigan, Drive, Tongwell,

Milton Keynes, Bucks MK15 8JD, England (Anglija)

25. 05. 2010



Tomoyasu Kato

Direktorius

Makita Corporation

3-11-8, Sumiyoshi-cho,

Anjo, Aichi, JAPAN



# LATVIEŠU (Oriģinālās instrukcijas)

## Kopskata skaidrojums

1. Ripa	26. Rokturis	54. Zāģa asmens
2. Augšējais vāks	27. Paplāksne	55. Zāģa korpuss
3. Gaismas slēdzis	28. Seššķautņu galviņas padziļinājuma bultskrūve	56. Apakšējais asmens aizsargs
4. Slēdzis	29. Slokšņu atspere	57. Ātrās atlaišanas svira
5. Garenzāģēšanas ierobežotājs	30. Nostiprināšanas atvērums	58. Lentzāģa apakšējā ripa
6. Apakšējais vāks	31. Uzstādīšanas atvērums	59. Motora bloks
7. Pārnēsāšanas rokturis	32. Galds	60. Dzensiksna
8. Putekļu ieliktnis	33. Seššķautņu bultskrūves	61. Dzenošā riteņa bloks
9. Kloķis (asmens nopriegojumam)	34. Pagrieziena ass	62. Apm. 10 mm
10. Kloķis (korpusa augšējo durvju nostiprināšanai)	35. Tapa	63. Bloķēšanas rokturis
11. Kloķis (asmens virzītāja regulēšanai)	36. Spārnskrūve	64. Regulēšanas rokturis
12. Kloķis (asmens virzītāja nostiprināšanai)	37. Virzošā sliede	65. Virzošais gultnis
13. Augšējais asmens virzītājs	38. Slēdža vāks	66. Bultskrūve A
14. Asmens	39. Izslēgšanas slēdzis	67. Virzošā gultņa attālums no asmens apakšdaļas
15. Kloķis (korpusa apakšējo durvju nostiprināšanai)	40. Ieslēgšanas slēdzis	68. Bultskrūve C
16. Kloķis (V veida siksnas nopriegojumam)	41. ON (ieslēgts)	69. Bultskrūve B
17. Dzensiksna	42. Bīdstiens	70. Gultņa turētājs
18. Statīvs	43. Leņķveida mērinstruments	71. Piespiešanas gultnis
19. Riepa	44. Bloķēšanas rokturis	72. Skrūve
20. Bloķēšanas svira (galda noliekuma nostiprināšanai)	45. Kloķis	73. Uzgrieznis
21. Putekļu savākšanas pieslēgvietā	46. Kloķis (A)	74. Savācējs ar lielu atvērumu
22. (Ātrās atlaišanas) svira	47. Ierobežotājs	75. Savācējs ar mazu atvērumu
23. Kloķis (griezējinstrumenta trajektorijas regulēšanai)	48. Bloķēšanas svira	76. Mazais putekļu savācējs (piestiprināms pie galvenās ierīces)
24. Rokturis (galda noliekuma regulēšanai)	49. Ierobežotāja turētājs	77. Lielais putekļu savācējs (nomaiņai)
25. Rāmis	50. Kloķis (B)	78. Sliede
	51. Turošā skava	79. Izvirzītā mala
	52. Spārnskrūves	80. Seššķautņu bultskrūve
	53. Putekļu aizsegs	

## TEHNISKIE PARAMETRI

Modelis	LB1200F	
Ripas izmērs	305 mm	
Maksimālā zāģēšanas jauda	165 mm	
Brīvgaitas ātrums	Liels	840 min <sup>-1</sup> (50 Hz)/1 040 min <sup>-1</sup> (60 Hz)
	Mazs	420 min <sup>-1</sup> (50 Hz)/520 min <sup>-1</sup> (60 Hz)
Zāģēšanas ātrums	Liels	13,3 m/s (800 m/min) (50 Hz)/16,7 m/s (1 000 m/min) (60 Hz)
	Mazs	6,7 m/s (400 m/min) (50 Hz)/8,3 m/s (500 m/min) (60 Hz)
Asmens izmērs	Apkārtmērs 2 240 mm x platums 6 mm, 13 mm, 16 mm	
Kopējie gabarīti	615 mm x 775 mm x 1 600 mm	
Galda izmērs	560 mm x 400 mm	
Neto svars	81,2 kg	

- Nepārtrauktās izpētes un attīstības programmas īstenošanas rezultātā šeit norādītie tehniskie dati bez brīdinājuma var tikt mainīti.
- Tehniskie dati dažādās valstīs var būt atšķirīgi.
- Svārs pēc EPTA procedūras 01/2003

### Simboli

END215-2

Zemāk ir attēloti simboli, kas tiek izmantoti ierīcei. Pirms ekspluatācijas pārliecinieties, vai izprotat to nozīmi.



..... Izlasiet rokasgrāmatu.



..... Izvelciet kontaktdakšu.



..... Uzvelciet aizsargbrilles.



..... Neturiet roku vai pirkstus asmens tuvumā.



..... Tikai ES valstīm  
Neizmest elektrisko aprīkojumu sadzīves atkritumos!

Saskaņā ar Eiropas direktīvu par lietotajām elektroiekārtām un elektronikas iekārtām 2002/96/EK un tās iekļaušanu valsts likumdošanā lietotais elektriskais aprīkojums jāsavāc atsevišķi un jānogādā otrreizējai pārstrādei vidi saudzējošā veidā.

### Paredzētā izmantošana

Šis darbarīks ir paredzēts koka zāģēšanai.

### Strāvas padeve

Darbarīks jāpievieno tikai tādai strāvas padevei, kuras spriegums ir tāds pats, kā norādīts uz plāksnītes ar nosaukumu, un to var ekspluatēt tikai ar vienfāzes maiņstrāvas padevi. Darbarīks aprīkots ar divkāršo izolāciju atbilstoši Eiropas standartam un tādēļ to var izmantot arī, pievienojot kontaktligzdai bez iezemējuma vada.

**⚠ BRĪDINĀJUMS:** Lai mazinātu ugunsgrēka, elektriskās strāvas trieciena un ievainojumu risku, lietojot bezvada darbarīkus, vienmēr jāievēro vispārējie drošības noteikumi, ieskaitot turpmāk minētos: Pirms izstrādājuma lietošanas izlasiet visas instrukcijas un saglabājiet tās.

## Drošai lietošanai:

- 1. Darba zonu uzturiet tīru.**  
Nesakārtotas zonas un darba galdi rada savainojumu iespējamību.
- 2. Apskatiet darba vietu.**  
Neatstājiet mehānizētos darbarīkus lietū. Neizmantojiet mehānizētos darbarīkus drēgnās vai mitrās vietās. Nodrošiniet labu darbavietas apgaismojumu. Nelietojiet mehānizētos darbarīkus, ja pastāv risks izraisīt ugunsgrēku vai eksploziju.
- 3. Nepieļaujiet elektriskās strāvas triecienu.**  
Izvairieties no pieskaršanās iezemētām virsmām (piemēram, caurulēm, radiatoriem, plītim un ledusskapjiem).
- 4. Neļaujiet bērniem atrasties tuvumā.**  
Neļaujiet nepiederošām personām pieskarties darbarīkam vai pagarinātājam.  
Darba zonas tuvumā nedrīkst atrasties nepiederošas personas.
- 5. Novietojiet glabāšanā darbarīkus, ar kuriem nestrādā.**  
Ja darbarīkus neizmantojat, tie jāglabā sausā, grūti aizsniedzamā vai aizslēgtā, bērniem nepieejamā vietā.
- 6. Nelietojiet darbarīku ar spēku.**  
Darbu paveiksiet labāk un drošāk ar darbarīkam paredzēto jaudu.
- 7. Lietojiet piemērotu darbarīku.**  
Neizmantojiet mazus darbarīkus vai papildierīces darbiem, kam paredzēti lielas jaudas darbarīki. Nelietojiet darbarīkus mērķiem, kam tie nav paredzēti; piemēram, nelietojiet ripzāģus, lai zāģētu koku zarus vai baļķus.
- 8. Valkājiet piemērotu apģērbu.**  
Nelietojiet pārāk brīvu apģērbu un rotaslietas, jo tie var iekļūt darbarīka kustīgajās daļās. Strādājot ārpus telpām, ieteicams lietot gumijas cimdus un apavus ar neslīdošu zoli. Ja jums ir gari mati, lietojiet galvassegu.
- 9. Izmantojiet aizsargbrilles un ausu aizsargus.**  
Lietojiet arī sejas masku vai respiratoru, ja zāģēšana rada putekļus.
- 10. Pievienojiet putekļu savākšanas ierīci.**  
Ja darbarīkam ir paredzēts pievienot putekļu savākšanas un glabāšanas ierīces, obligāti tās pievienojiet un pareizi lietojiet.
- 11. Lietojiet strāvas vadu pareizi.**  
Nekad nepārnēsājiet darbarīku, turot aiz vada, vai neraujiet aiz vada, lai atvienotu no kontaktligzdas. Sargājiet vadu no siltuma avotiem, eļļas un asām malām.
- 12. Nostipriniet apstrādājamo materiālu.**  
Izmantojiet skavas vai skrūvspīles, lai nostiprinātu materiālu. Tas ir drošāk, nekā turēt ar roku, turklāt abas rokas ir brīvas darbam ar darbarīku.
- 13. Nesniedzieties pārāk tālu.**  
Vienmēr cieši stāviet uz piemērota atbalsta un saglabājiet līdzsvaru.
- 14. Darbarīkiem veiciet rūpīgu apkopi.**  
Regulāri uzasiniet un tīriet griezējinstrumentus labākai un drošākai veiktspējai. Ievērojiet eļļošanas un piederumu maiņas norādījumus. Regulāri pārbaudiet darbarīka vadu un bojājuma gadījumā saremontējiet pilnvarotā apkopes darbnīcā. Regulāri pārbaudiet pagarinātājus un nomainiet, ja tie ir bojāti.

Rūpējieties, lai rokturi vienmēr būtu sausi, tīri un lai uz tiem nebūtu eļļas un smērvielas.

- 15. Atvienojiet darbarīkus.**  
Darbarīku atvienojiet tad, kad to nelieto, pirms apkopes un kad notiek piederumu, piemēram, asmeņu, uzgaļu un griezņu nomaiņa.
- 16. Noņemiet regulēšanas instrumentus un uzgriežņatslēgas.**  
Izveidojiet paradumu pirms darbarīka ieslēgšanas pārbaudīt, vai no tā ir noņemti instrumenti un regulēšanas uzgriežņatslēgas.
- 17. Nepieļaujiet nejašu iedarbināšanu.**  
Nepārnēsājiet strāvas padevei pievienotu darbarīku, turot pirkstu uz slēdža. Pievienojot strāvas padevei, pārbaudiet, vai slēdzis ir izslēgts.
- 18. Izmantojiet ārpustelpu pagarinātāja vadus.**  
Kad instrumentu izmanto ārpus telpām, izmantojiet tikai tādus pagarinātāja vadus, kas paredzēti lietošanai ārpus telpām.
- 19. Esiet modri.**  
Strādājiet uzmanīgi. Rīkojieties saprātīgi. Neizmantojiet darbarīku, ja esat noguris.
- 20. Pārbaudiet bojātās daļas.**  
Pirms turpināt lietot darbarīku, bojāto aizsargu vai citu daļu rūpīgi jāpārbauda, lai noteiktu, vai tā pareizi darbosies un izpildīs savas funkcijas. Pārbaudiet, vai kustīgās daļas ir pareizi savienotas, tās var brīvi darboties, daļas nav salūzušas, pārbaudiet uzstādīšanu un citus apstākļus, kas var ietekmēt darbarīka darbību. Bojāto aizsargu vai citas daļas jāmaina vai to remontu pareizi jāveic pilnvarotā apkopes centrā, ja vien šajā lietošanas rokasgrāmatā nav norādīts citādi. Bojātus slēdzus nomainiet pilnvarotā apkopes darbnīcā. Nelietojiet darbarīku, ja to ar slēdzi nevar ne ieslēgt, ne izslēgt.
- 21. Brīdinājums.**  
Izmantojot citus piederumus un papildierīces, nevis šajā lietošanas rokasgrāmatā vai katalogā ieteiktos, ir iespējami savainojumi.
- 22. Darbarīka remonts jāveic kvalificētam darbiniekam.**  
Šis elektriskais darbarīks atbilst spēkā esošajiem drošības noteikumiem. Remontu drīkst veikt tikai kvalificēti darbinieki, izmantojot oriģinālās rezerves daļas, pretējā gadījumā pastāv ievērojams risks tās lietotājam.

## PAPILDUS DROŠĪBAS NOTEIKUMI DARBARĪKA LIETOŠANAI

### SAGLABĀJIET ŠOS NORĀDĪJUMUS.

- 1. Lietojiet acu aizsardzības līdzekļus.**
- 2. Nelietojiet darbarīku viegli izliesmojošu šķidrumu un gāzu klātbūtnē.**
- 3. Vienmēr lietojiet sejas masku vai respiratoru.**
- 4. Pirms darba veikšanas uzmanīgi pārbaudiet, vai asmenim nav plaisu vai bojājumu. Ieplaisājušu vai bojātu asmeni nekavējoties nomainiet.**
- 5. Izmantojiet tikai tādus zāģa asmeņus, ko iesaka ražotājs un kas atbilst standartam LVS EN847-1.**
- 6. Vienmēr izmantojiet piederumus, kas norādīti šajā rokasgrāmatā. Nepiemērotu piederumu, piemēram, abrazīvo griezējripi, izmantošana var izraisīt ievainojumus.**
- 7. Zāģa asmeni izvēlieties atbilstoši zāģējamam materiālam.**
- 8. Neizmantojiet asmeņus, kas ražoti no ātrgriezīga tērauda.**
- 9. Lai mazinātu radušos troksni, vienmēr pārliecinieties, vai asmens ir ass un tīrs.**

10. Negrieziet metālu, piemēram, naglas un skrūves. Pirms sākt darbu, pārbaudiet, vai apstrādājamā materiālā nav naglas, skrūves un citi svešķermeņi, un tos izņemiet.
11. Pirms slēdža ieslēgšanas no galda noņemiet uzgriežņatslēgas, nogrieztos gabalus u. c.
12. Darba laikā NEKAD nevelciet cimdus.
13. Netuviniet rokas zāģa asmens trajektorijai.
14. NEKAD nestāviet un neļaujiet nevienam citam stāvēt zāģa asmens trajektorijas tuvumā.
15. Pirms sākt darbarīku lietot ar apstrādājamo materiālu, neilgi darbiniet to bez slodzes. Pievērsiet uzmanību vibrācijai vai svārstībām, jo tas var liecināt par nepareizu uzstādīšanu vai slikti līdzsvarotu asmeni.
16. Nomainiet galda starpliku, kad tā ir nodilusi.
17. Zāģējot koku, pievienojiet lentzāģi putekļus savācošai ierīcei.
18. Neiedarbiniet iekārtu, ja zāģa lenti aizsargājošās durvis vai aizsargs ir atvērts.
19. Ievērojiet, ka zāģa lentes izvēle ir atkarīga no zāģējamā materiāla.
20. Netīriet zāģa lenti, ja tā ir kustībā.

## UZSTĀDĪŠANA (1. un 2. att.)

### Lentzāģa statīva nostiprināšana

Ja darba laikā lentzāģis mēdz gāzties, bīdīties vai kustēties, lentzāģa statīvs jāpiestiprina pie grīdas. (3.–7. att.)

- Pēc statīva piestiprināšanas piestipriniet rokturi un riteņus. (8. att.)

### Putekļu ieliktna ievietošana

Putekļu ieliktni ievieto no zāģa galda apakšas. Kad to ievietojat, novietojiet slokšņu atsperi (nostiprināšanai) pie iekārtas uzstādīšanas atvēruma iekšējās malas, ievietojiet abas putekļu ieliktna izvīrītās malas sliedēs, pēc tam pavirziet uz ārpusi. Kad nostiprināšanas slokšņu atsperes darba puse atrodas iekārtas nostiprināšanas atvērumā, putekļu ieliktnis ir ievietots. (9. un 10. att.)

Ar seššķautņu bultskrūvēm piestipriniet galdu pie pagrieziņa ass. (11. att.)

Pirms nosūtīšanas tiek ievietota tapa, tādēļ to izņemiet. (12. att.)

### Virzošās sliedes uzstādīšana (13. att.)

- Ar četrām spārnskrūvēm un paplāksnēm piestipriniet virzošo sliedi pie galda.

## FUNKCIJU APRAKSTS

### Slēdža darbība (14. att.)

#### ⚠ UZMANĪBU:

- Pirms ekspluatācijas pārbaudiet, vai darbarīku var ieslēgt un izslēgt.

Slēdža vāku var atvērt, to vienkārši paceļot uz augšu.

Lai iedarbinātu darbarīku, nospiediet ieslēgšanas (I) pogu.

Lai to apturētu, nospiediet izslēgšanas (O) pogu.

### Lampu ieslēgšana

Lai gaismu ieslēgtu, nospiediet slēdža augšējo daļu (I), bet lai to izslēgtu, — apakšējo daļu (O).

Lai iedarbinātu darbarīku, paceliet slēdža sviru. (15. att.)

Lai to apturētu, nolaidiet slēdža sviru uz leju.

### Bīdstienis (16. att.)

Bīdstienis darbojas kā rokas pagarinājums, un tas aizsargā no nejaušas saskares ar zāģa asmeni.

Bīdstieni vienmēr jāizmanto, ja attālums starp lentzāģa asmeni un garenzāģēšanas ierobežotāju ir mazāks par 150 mm.

Virziet bīdstieni leņķī starp 20° un 30° no zāģa galda virsmas.

#### (17. att.)

Kad bīdstieni neizmanto, to var uzglabāt bīdstieņa turētājā, kas atrodas pie lentzāģa rāmja.

Ja bīdstienis ir bojāts, to nomainiet.

### Leņķveida mērinstruments (18. att.)

Leņķveida mērinstrumentu ievieto galda atverē no galda priekšējās malas.

Lai veiktu leņķa zāģēšanu, leņķveida mērinstrumentu var pagriezt 60° abos virzienos.

Zāģim ir ierīkoti 45° un 90° leņķa nekustīgi aizturi.

Lai iestaģītu zāģēšanas leņķi, atskrūvējiet bloķēšanas rokturi, to pagriežot pretēji pulksteņrādītāja virzienam.

#### ⚠ BRĪDINĀJUMS:

**Veicot zāģēšanu ar leņķveida mērinstrumentu, bloķēšanas rokturis ir cieši jāpieskrūvē.**

Papildu ierobežotāju var noņemt un apgriezt pēc kloķa atskrūvēšanas.

### Garenzāģēšanas ierobežotāja uzstādīšana (19. att.)

Garenzāģēšanas ierobežotāju var izmantot abās asmens pusēs.

Kad garenzāģēšanas ierobežotāju virza no vienas zāģa asmens puses uz otru, ierobežotājs ir jāapgriež otrādi.

### Ierobežotāja apgriešana (20. att.)

1. Atskrūvējiet turošās skavas (B) kloķi.
2. No ierobežotāja noņemiet turošo skavu.
3. Atskrūvējiet kloķi (A).
4. Noņemiet ierobežotāju no ierobežotāja turētāja.
5. Apgriežiet ierobežotāju otrādi un uzlieciet atpakaļ uz ierobežotāja turētāja.
6. Pieskrūvējiet kloķi (A).
7. Uz ierobežotāja uzlieciet turošo skavu.

### Garenzāģēšanas ierobežotāja nostiprināšana

1. Novietojiet garenzāģēšanas ierobežotāju uz virzošās sliedes.
2. Pieskrūvējiet garenzāģēšanas ierobežotāja bloķēšanas sviru.
3. Atskrūvējiet turošās skavas (B) kloķi.
4. Virziet turošo skavu pret galda aizmugures malu.
5. Pieskrūvējiet kloķi (B).

Ierobežotāja augstumu var pazemināt, ja zāģē plānus materiālus. (21. un 22. att.)

1. Atskrūvējiet turošās skavas (B) kloķi.
2. No ierobežotāja noņemiet turošo skavu.
3. Atskrūvējiet kloķi (A).
4. Noņemiet ierobežotāju no ierobežotāja turētāja.
5. Virziet kloķi (A) prom no ierobežotāja, ko vēlaties noņemt.
6. Pagriežiet ierobežotāju par 90°.
7. Ievietojiet kloķi (A) citā ierobežotāja rievā.
8. Novietojiet ierobežotāju atpakaļ ierobežotāja turētājā.
9. Pieskrūvējiet kloķi (A).
10. Uz ierobežotāja uzlieciet turošo skavu.

Kad ierobežotāja augstums ir pazemināts, mainās 0 (nulle) punkts. Ja garenzāģēšanas ierobežotājs atrodas asmens kreisajā pusē, virziet virzošo sliedi pa kreisi, lai noregulētu 0 punktu.

# MONTĀŽA

## Lentzāga asmens nomaiņa

### ⚠ UZMANĪBU:

- Saskaršanās ar lentzāga asmeni pat tad, ja tas ir nekustīgs, var izraisīt ievainojumus.
- Zāga asmens ir bīstams.

Darbam ar zāga asmeni lietojiet cimdus, piemēram, izņemot to no iepakojuma, veicot asmens montāžu vai nomaiņu.

1. Atskrūvējiet divas labās puses virzošās sliedes spārnskrūves un pavelciet labās puses sliedi uz labo pusi. **(23. att.)**
2. Atveriet darbarīka augšējo vāku un apakšējo vāku. **(24. att.)**
3. Turiet rokturi un pavelciet putekļu aizsegu uz augšu, lai to noņemtu. **(25. att.)**
4. Atveriet apakšējo asmens aizsargu. **(26. att.)**
5. Iestatiet augšējo asmens virzītāju tā zemākajā stāvoklī.
6. Atlaidiet ātrās atlaišanas sviru, līdz lentzāga asmens ir atslābinājies. **(27. att.)**
7. Lai noņemtu lentzāga asmeni, izvelciet to caur
  - atveri zāga asmenī;
  - augšējā asmens virzītāja asmens aizsargu;
  - asmens apvalku zāga korpusā.
8. Ievietojiet jaunu lentzāga asmeni. Ievērojiet pareizu stāvokli — zobiem jāatrodas pret zāga priekšējo (durvju) pusi.
9. Centrējiet lentzāga asmeni uz lentzāga ripu gumijas riepām.
10. Nostipriniet ātrās atlaišanas sviru, lai asmens vairs nevar noslīdēt no apakšējā lentzāga riepām.
11. Aizveriet apakšējo asmens aizsargu.

### ⚠ UZMANĪBU:

Aizveriet apakšējo vāku tikai tad, kad apakšējais asmens aizsargs ir aizvērts.

12. Atgrieziet labās puses virzošo sliedi tās sākotnējā stāvoklī. **(28. un 29. att.)**
13. Uzstādiet putekļu aizsegu.
14. Aizveriet abus vākus.
15. Pēc tam:
  - nospriegojiet lentzāga asmeni (skatiet sadaļu „Lentzāga asmens nospriegošana” nodaļā „FUNKCIJU APRAKSTS”).
  - noregulējiet lentzāga asmeni (skatiet sadaļu „Lentzāga asmens regulēšana” nodaļā „MONTĀŽA”).
  - noregulējiet asmens virzītājus (skatiet sadaļu „Augšējā asmens virzītāja regulēšana” nodaļā „FUNKCIJU APRAKSTS”).
  - ļaujiet zāģim darboties izmēģinājuma režīmā vienu minūti;
  - apturiet zāģi, atvienojiet no elektrības padeves un vēlreiz pārbaudiet iestatījumus.

## Zāģēšanas ātruma regulēšana (30. att.)

1. Atveriet apakšējo vāku.
2. Atslābiniet dzensiksnu, pagriežot kloķi pulksteņrādītāja virzienā.
3. Novietojiet dzensiksnu uz vajadzīgā dzenošā riteņa bloka (lentzāga apakšējās ripas) un uz atbilstošā motora bloka — ņemiet vērā marķējumu ar piezīmi apakšējā vāka iekšpusē.

### ⚠ UZMANĪBU:

Dzensiksna jānovieto uz abiem priekšējiem vai abiem aizmugures blokiem. Nekad neļaujiet V veida siksnai darboties diagonāli.

## Siksnas nospriegojuma iestatīšanas kloķis (31. att.)

Ja nepieciešams, ar iestatīšanas kloķi siksnas nospriegojumu var mainīt:

- pagriežot iestatīšanas kloķi pulksteņrādītāja virzienā, lai samazinātu dzensiksnas nospriegojumu;
- pagriežot iestatīšanas kloķi pretēji pulksteņrādītāja virzienam, lai palielinātu dzensiksnas nospriegojumu.

Vēlreiz nostipriniet dzensiksnu, pagriežot kloķi pretēji pulksteņrādītāja virzienam (dzensiksnas elastībai vidū starp blokiem jābūt apm. 10 mm). **(32. att.)**

Aizveriet apakšējo vāku.

## FUNKCIJU APRAKSTS

### Lentzāga asmens nospriegošana (33. att.)

#### ⚠ UZMANĪBU:

**Pārāk liels nospriegojums var saplēst lentzāga asmeni. Pārāk mazs nospriegojums var izraisīt kustīgas lentzāga ripas noslīdēšanu un lentzāga apstāšanos.**

1. Pilnībā paceliet augšējo asmens virzītāju. Izmantojot skalu kā virzītāju un ņemot vērā asmens platumu, pagrieziet kloķi, lai noregulētu nospriegojumu. (Pēc noregulēšanas pārbaudiet nospriegojumu, kā parādīts 2. attēlā.)
2. Asmens nospriegojuma pārbaude:
  - pārbaudiet nospriegojumu, ar pirkstu pastumjot zāģa asmens vienu pusi vidū starp galdū un augšējo asmens virzītāju (asmens drīkst liekties ne vairāk par 1-2 mm);
  - pārbaudiet noregulējumu asmens nospriegojuma indikatorā. Skala norāda pareizo noregulējumu atkarībā no lentzāga asmens platumu.
3. Ja nepieciešams, labojiet nospriegojumu:
  - pagriežot iestatīšanas kloķi pulksteņrādītāja virzienā, lai palielinātu asmens nospriegojumu;
  - pagriežot iestatīšanas kloķi pretēji pulksteņrādītāja virzienam, lai samazinātu asmens nospriegojumu.

### Lentzāga asmens noregulēšana (34. att.)

Ja lentzāga asmens negriežas gumijas riepū centrā, tā trajektorija jāizlabo, noregulējot augšējās lentzāga ripas noliekumu:

1. Atbrīvojiet bloķēšanas rokturi.
2. Manuāli pagrieziet augšējo ripu, uzmanoties, lai nepieskartos asmenim.
3. Pagrieziet iestatīšanas kloķi pulksteņrādītāja virzienā, ja lentzāga asmens griežas pret zāģa priekšpusi.
  - Pagrieziet iestatīšanas kloķi pretēji pulksteņrādītāja virzienam, ja lentzāga asmens griežas pret zāģa aizmuguri.
4. Pēc noregulēšanas vienmēr aizveriet bloķēšanas rokturi. **(35. att.)**

### Ātrās atlaišanas svira (36. att.)

Izmantojot ātrās atlaišanas sviru, iespējams mazināt zāģa asmens nospriegojumu.

Pulksteņrādītāja virzienā: samazina nospriegojumu

Pretēji pulksteņrādītāja virzienam: palielina nospriegojumu

### Augšējā asmens virzītāja noregulēšana (37. att.)

Augšējo asmens virzītāju nepieciešams noregulēt:

pirms katras zāģēšanas/ekspluatācijas, lai atbalstītu apstrādājamā materiāla augstumu (augšējais asmens virzītājs jāuzstāda apmēram 3 mm virs apstrādājamā materiāla);

- pēc lentzāga asmens vai zāģa galda noregulēšanas (piemēram, pēc lentzāga asmens nomaiņas, lentzāga nospriegošanas, zāģa galda noregulēšanas).

#### ⚠ UZMANĪBU:

Pirms augšējā asmens virzītāja un zāģa galda noliekšanas:

- izslēdziet iekārtu;
  - pagaidiet, kamēr lentzāga asmens pilnībā apstājas.
- Atskrūvējiet bloķēšanas rokturi un iestatiet augšējo asmens virzītāju, izmantojot regulēšanas rokturi, vajadzīgajā augstumā. Pēc noregulēšanas noteikti pieskrūvējiet kontruzgriezni.
  - Nekad vienlaicīgi nezāģējiet vairākus apstrādājamus materiālus, kā arī saišķus, kuros atrodas vairāki atsevišķi gabali. Atsevišķu gabalu nekontrolēta ieķeršanās zāģa asmenī rada ievainojumu risku.
1. Atskrūvējiet bultskrūvi C un noregulējiet gultņa turētāju tā, lai virzošais gultnis atrodas 1 vai 2 mm no asmens apakšdaļas. **(38.–40. att.)**
  2. Atskrūvējiet bultskrūvi A un noregulējiet piespiešanas gultni 0,5 mm attālumā no asmens aizmugures.
  3. Atskrūvējiet bultskrūvi B un noregulējiet virzošo gultni 0,5 mm attālumā no asmens.

### Apakšējā asmens virzītāja noregulēšana (41. att.)

Apakšējais asmens virzītājs sastāv no:

- piespiešanas gultņa (kas atbalsta lentzāga asmeni no aizmugures);
  - diviem virzošajiem gultņiem (kas nodrošina sānu atbalstu).
- Šīs daļas atkārtoti jānoregulē pēc katras lentzāga asmens nomaiņas vai trajektorijas regulēšanas.

#### Piezīme:

- Regulāri pārbaudiet, vai piespiešanas gultņi un virzošie gultņi nav nodiluši, un, ja nepieciešams, nomainiet abus virzošos gultņus.
- Atveriet apakšējās durvis un apakšējo asmens aizsargu.
  - Atskrūvējiet bultskrūvi, pavirziet visu apakšējo asmens aizsargu un noregulējiet virzošo gultni 1 vai 2 mm attālumā no atsevišķa asmens apakšdaļas.

### Piespiešanas gultņa regulēšana

1. Atskrūvējiet bultskrūvi A.
2. Noregulējiet piespiešanas gultņa stāvokli (attālums starp piespiešanas gultni un lentzāga asmeni ir 0,5 mm; ja lentzāga asmeni griež ar roku, tas nedrīkst pieskarties piespiešanas gultnim).
3. Pieskrūvējiet bultskrūvi A.

### Virzošo gultņu noregulēšana (42. att.)

1. Atskrūvējiet bultskrūvi B.
2. Noregulējiet virzošo gultni pret lentzāga asmeni.
3. Vairākas reizes ar roku pagrieziet lentzāga ripu pulksteņrādītāja virzienā, lai virzošos gultņus novietotu pareizā stāvoklī. Atskrūvējiet bultskrūvi A un noregulējiet piespiešanas gultni 0,5 mm attālumā no asmens aizmugures. Abiem virzošajiem gultņiem tikai NEDAUDZ JĀPIESKARAS lentzāga asmenim.
4. Vēlreiz pieskrūvējiet bultskrūvi B.
5. Aizveriet apakšējo asmens aizsargu.
6. Aizveriet apakšējās durvis.

### Noregulējiet zāģa galdu taisnā leņķī pret lentzāga asmeni (43. un 44. att.)

1. Pilnībā paceliet augšējo asmens virzītāju (skatiet sadaļu „Ekspluatācija”).
2. Pārbaudiet lentzāga asmens nospirojumumu (skatiet „FUNKCIJU APRAKSTS”). Pagrieziet rokturi pulksteņrādītāja virzienā, lai galdu noliektu pretēji pulksteņrādītāja virzienam, un pagrieziet rokturi pretēji pulksteņrādītāja virzienam, lai galdu noliektu pulksteņrādītāja virzienā.

3. Atbrīvojiet bloķēšanas sviru.
4. Izmantojot aizzīmēšanas stūreni, novietojiet galdu taisnā leņķī no asmens, pagriežot rokturi, lai noregulētu galdu, un vēlreiz pieskrūvējiet bloķēšanas sviru.
5. Noregulējiet ierobežojošo atbalstskrūvi, līdz tā pieskaras korpusam.

### Ekspluatācija (45. un 46. att.)

#### ⚠ Bīstami.

**Lai pēc iespējas samazinātu ievainojuma risku, lietojot zāģi, jāievēro šādi drošības ieteikumi.**

#### ⚠ UZMANĪBU:

- Zāģēšanas laikā nepieskarieties zāģa asmenim.
- Zāģēšanas laikā lietojiet aizsargbrilles, bet nelietojiet cimdus.
- Vienlaicīgi zāģējiet tikai vienu apstrādājamo materiālu.
- Vienmēr piespiediet apstrādājamo materiālu pie galda.
- Neļaujiet apstrādājamam materiālam iesprūst.
- Nemēģiniet palēnināt lentzāga asmeni vai to apturēt, no sāna piespiežot apstrādājamo materiālu pie zāģa asmens.
- Zāģējot taisni pret ierobežotāju, izmantojiet bīdstieni.
- Ja tas nepieciešams veicamā darba veidam, izmantojiet:
  - bīdstieni — ja attālums starp garenzāģēšanas ierobežotāju un lentzāga asmeni ir  $\leq 150$  mm;
  - apstrādājamā materiāla atbalstu — garai sagatavei, kas citādi pēc zāģēšanas pabeigšanas varētu nokrist no galda;
  - putekļu savācēju;
  - zāģējot apaļu sagatavi, cieši nostipriniet materiālu, kā parādīts attēlā;
  - piemērotu virzītāju ciešam atbalstam, zāģējot plānu sagatavi, kas novietota uz malas.
  - darbam ar zāģa lentu un rupju materiālu, izmantojiet cimdus.
- Pirms darba sākšanas pārbaudiet, vai labā darba kārtībā ir:
  - lentzāga asmens;
  - augšējais un apakšējais asmens aizsargs.
- Nekavējoties nomainiet bojātās daļas.
- Pārbaudiet, vai darba stāvoklis ir pareizs (lentzāga zobiem jāatrodas pret operatoru).

### Zāģēšana

#### ⚠ BRĪDINĀJUMS:

Atsiena risks (apstrādājama materiāla ieķeršanās lentzāga asmenī un tiek mests pret operatoru).

Neļaujiet apstrādājamam materiālam iesprūst.

- Izvēlieties veicamajai zāģēšanas darbībai piemērotu garenzāģēšanas ierobežotāju un galda noliekumu.
- Iestatiet augšējo asmens virzītāju 3 mm virs apstrādājamā materiāla.

#### Piezīme:

Vienmēr veiciet izmēģinājuma zāģējumu atgriezumā gabalā, lai pārbaudītu iestatījumus. Ja nepieciešams, tos izlabojiet pirms apstrādājamā materiāla zāģēšanas.

- Novietojiet apstrādājamo materiālu uz zāģa galda.
- Pievienojiet pie strāvas padeves.
- Sāciet zāģēt.
- Apstrādājamo materiālu sazāģējiet vienā reizē.
- Izslēdziet, ja uzreiz pēc tam nevajag zāģēt neko citu.
- Izmantojiet galdu, ko var iegādāties atsevišķi.

### Zāģa galda noliekšana (47. att.)

#### ⚠ UZMANĪBU:

Zāģējot slīpā leņķī ar noliektu galdu, novietojiet virzītāju uz galda apakšējās daļas.

Pēc bloķēšanas sviras atlaišanas zāģa galdu uzreiz var noliekt 47° leņķī pret asmeni.

Pagrieziet rokturi pulksteņrādītāja virzienā, lai galdu noliektu pretēji pulksteņrādītāja virzienam, un pagrieziet rokturi pretēji pulksteņrādītāja virzienam, lai galdu noliektu pulksteņrādītāja virzienā.

### **Pievienošana putekļsūcējam (48. un 49. att.)**

Zāģēšanas laikā neizcelsies putekļi, ja šo darbarīku pievienosit Makita putekļsūcējam vai putekļu savācējam.

Ja putekļu uztvērēju pievieno savācējam ar lielu atvērumu, pārkārtojiet putekļu savācēju, lai tam ir liels atvērums.

### **Kā pārvietot iekārtu (50. att.)**

- Paceliet rokturi, lai iekārtu varētu pārvietot.
- Transportēšanas laikā zāģa lentes aizsargam jābūt pilnībā nolaistam un klāt pie galda.
- Neizmantojiet aizsargierīces pārvietošanas vai transportēšanas laikā.

#### **⚠ UZMANĪBU:**

- Ja rokturis ir pacelts pārāk augstu, iekārta var apgāzties.

## **TEHNISKĀ APKOPE**

#### **⚠ UZMANĪBU:**

- Pirms apskates vai apkopes vienmēr pārbaudiet, vai ierīce ir izslēgta un atvienota no strāvas.

#### **PIEZĪME:**

- Nekad neizmantojiet gazolīnu, benzīnu, atšķaidītāju, spirtu vai līdzīgus šķidrumus. Tas var radīt izbalēšanu, deformāciju vai plaisas.

#### **Tīrīšana**

Laiku pa laikam iztīriet zāģa putekļus un skaidas. Rūpīgi iztīriet asmens aizsargu un kustīgās daļas lentzāģa iekšpusē.

#### **Eļļošana**

Lai lentzāģi saglabātu vislabākajā darba kārtībā un lai nodrošinātu maksimālo ekspluatācijas laiku, laiku pa laikam ieeļļojiet vai iesmērējiet kustīgās un grozāmās daļas.

Lai mazinātu trokšņa emisiju, vienmēr nodrošiniet, lai asmens ir ass un tīrs.

Lai izstrādājums darbotos DROŠI un UZTICAMI, remontdarbus, apkopi un regulēšanu uzticiet tikai Makita pilnvarotam apkopes centram un vienmēr izmantojiet tikai Makita rezerves daļas.

## **PIEDERUMI**

#### **⚠ UZMANĪBU:**

- Kopā ar šajā rokasgrāmatā aprakstīto Makita instrumentu ieteicams izmantot šos piederumus vai papildierīces. Izmantojot citus piederumus vai papildierīces, var gūt ievainojumus. Piederumu vai papildierīci izmantojiet tikai tai paredzētajam nolūkam. Ja nepieciešama sīkāka informācija par šiem piederumiem, jautājiet to vietējā Makita servisa centrā.

- Lentzāģa statīvs
- Sešstūru uzgriežņatslēga
- Garenzāģēšanas ierobežotājs
- Leņķveida mērinstruments
- Apaļa zāģēšanas papildierīce
- Galda pagarinājums
- Lentes slīpēšanas papildierīce

#### **Tikai Eiropas valstīm**

##### **Troksnis**

Tipveida A svērtais skaņas līmenis ir:

skaņas spiediena līmenis: 81 dB (A)

skaņas jaudas līmenis: 94 dB (A)

Nenoteiktība (K): 3 dB (A)

##### **Lietojiet ausu aizsardzības līdzekļus.**

Šīs vērtības ir iegūtas saskaņā ar LVS EN61029.

#### **EK atbilstības deklarācija**

**Uzņēmums „Makita Corporation”, kā atbildīgais ražotājs paziņo, ka šāds/-i „Makita” instruments/-i:**

Darbarīka nosaukums: Lentzāģis

Modeļa Nr./ tips: LB1200F

Ir sērijveida izstrādājums(-i) un

**Atbilst šādām Eiropas Savienības Direktīvām:**

2006/42/EK

Un ražoti saskaņā ar šādiem standartiem vai normatīvajiem dokumentiem:

LVS EN61029

EK tipa atbilstības pārbaudes sertifikāta Nr. M6A 10 05 26932 017

EK tipa atbilstības pārbaudi veica:

TÜV SÜD Product Service GmbH, Zertifizierstelle,

Ridlerstraße 65, 80339 München, Germany

Identifikācijas Nr. 0123

Tehnisko dokumentāciju uztur mūsu pilnvarots pārstāvis Eiropā –

Makita International Europe Ltd.

Michigan, Drive, Tongwell

Milton Keynes, Bucks MK15 8JD, England

25. 05. 2010



Tomojasu Kato  
Direktors

Makita Corporation  
3-11-8, Sumiyoshi-cho,  
Anjo, Aichi, JAPAN

# EESTI (Originaaljuhendid)

## Üldvaate selgitus

1. Ratas	25. Raam	53. Tolmukate
2. Ülemine kate	26. Käepide	54. Saelint
3. Tule lüliti	27. Seib	55. Sae korpus
4. Lüliti	28. Kuuskant-pesapeapolt	56. Saelindi alumine kaitse
5. Piire	29. Vedruklamber	57. Kiire lahtipäästemehhanismi hoob
6. Alumine kate	30. Kinnitamisava	58. Alumine lintsae ratas
7. Kandekäepide	31. Positsioneerimisava	59. Mootori rihmaratas
8. Saepurukarp	32. Töölaud	60. Ajamirihm
9. Nupp (saelindi pingutamiseks)	33. Kuuskantpoldid	61. Veoratta rihmaratas
10. Nupp (ülemise korpuse luugi kinnitamiseks)	34. Pöördetapp	62. Ligikaudu 10 mm
11. Nupp (saelindi juhiku reguleerimiseks)	35. Tihvt	63. Lukustusnupp
12. Nupp (saelindi juhiku kinnitamiseks)	36. Liblikkruvi	64. Reguleerimisnupp
13. Saelindi ülemine juhik	37. Juhtpiire	65. Juhiku laager
14. Saelint	38. Lüliti kate	66. Polt A
15. Nupp (alumise korpuse luugi kinnitamiseks)	39. Lüliti OFF (VÄLJAS)	67. Juhiku laagri kaugus saelindi tagaküljest
16. Nupp (kiilrihma pingutamiseks)	40. Lüliti ON (SEES)	68. Polt C
17. Ajamirihm	41. ON (SEES)	69. Polt B
18. Pukk	42. Tõukevarras	70. Laagri hoidik
19. Rehv	43. Eerungimõõdik	71. Tugilaager
20. Lukustushoob (töölaua kalde fikseerimiseks)	44. Lukustuskäepide	72. Krugi
21. Saepuru eemaldamise ava	45. Nupp	73. Mutter
22. (Kiire lahtipäästemehhanismi) hoob	46. Nupp (A)	74. Suure avaga kogur
23. Nupp (lõiketera liikumistrajektoori reguleerimiseks)	47. Piire	75. Väikese avaga kogur
24. Käepide (töölaua kalde reguleerimiseks)	48. Lukustushoob	76. Väike tolmuksuguja (põhiseadme küljes)
	49. Piirde hoidik	77. Suur tolmuksuguja (ümberlülituseks)
	50. Nupp (B)	78. Relss
	51. Vertikaalsuruk	79. Tapiõlg
	52. Liblikkruid	80. Kuuskantpolt

## TEHNILISED ANDMED

Mudel	LB1200F	
Ratta suurus	305 mm	
Maks. saagimisjõudlus	165 mm	
Koormuseta kiirus	Kiire	840 min <sup>-1</sup> (50 Hz)/1040 min <sup>-1</sup> (60 Hz)
	Aeglane	420 min <sup>-1</sup> (50 Hz)/520 min <sup>-1</sup> (60 Hz)
Saagimiskiirus	Kiire	13,3 m/s (800 m/min) (50 Hz)/16,7 m/s (1000 m/min) (60 Hz)
	Aeglane	6,7 m/s (400 m/min) (50 Hz)/8,3 m/s (500 m/min) (60 Hz)
Saelindi mõõtmed	Ümbermõõt 2240 mm x laius 6 mm, 13 mm, 16 mm	
Üldmõõtmed	615 mm x 775 mm x 1600 mm	
Töölaua suurus	560 mm x 400 mm	
Netokaal	81,2 kg	

- Meie uurimis- ja arendusprogrammi jätkumise tõttu võidakse siin esitatud tehnilisi andmeid muuta ilma ette teatamata.
- Tehnilised andmed võivad riikides erineda.
- Kaal on esitatud vastavalt EPTA-protseduurile 01/2003

### Sümbolid

END215-2

Järgnevalt kirjeldatakse seadmel kasutatavaid sümboleid. Enne seadme kasutamist veenduge, et olete sümbolite tähendusest aru saanud.



..... Lugege kasutusjuhendit.



..... Tõmmake põhipistik välja.



..... Kandke kaitseprille.



..... Ärge pange kätt ega sõrmi saelindi lähedusse.



..... Üksnes EL liikmesriikidele  
Ärge käidelge kasutuskõlmatuks muutunud

elektriseadmeid koos olmejäätmetega!

Vastavalt Euroopa Parlamendi ja Nõukogu direktiivile 2002/96/EÜ elektri- ja elektroonikaseadmete jäätmete kohta ning direktiivi nõuete kohaldamisele liikmesriikides tuleb kasutuskõlmatuks muutunud elektriseadmed koguda eraldi ja keskkonnasäästlikult korduskasutada või ringlusse võtta.

### Nõuetekohane kasutamine

Antud seade on mõeldud puidu saagimiseks.

### Toiteallikas

Seadet võib ühendada ainult andmesildil näidatud pingele vastava pingega toiteallikaga ning seda saab kasutada ainult ühefaasilisel vahelduvvoolutoitel. Seadmel on vastavalt Euroopa standardile kahekordne isolatsioon ning seega võib seda kasutada ka ilma maandusjuhtmeta pistikupessa ühendatult.

**⚠ HOIATUS: Elektriseadmeid kasutades tuleb alati järgida tulekahju-, elektrilöögi- ja vigastamisohu vähendamiseks peamisi ohutusjuhiseid ettevaatusabinõusid, kaasa arvatud alltooduid. Lugege kõik need juhised enne toote kasutamist läbi ja hoidke kasutusjuhend alles.**

## Ohutu käitamise tagamiseks:

- 1. Hoidke tööpiirkond puhtana.**  
Korrastamata tööpiirkond ja tööpink võivad põhjustada vigastusi.
- 2. Järgige tööpiirkonnale esitatavaid nõudeid.**  
Ärge jätke elektriseadmeid vihma kätte. Elektriseadmeid ei või kasutada niiskes ja märjas keskkonnas. Tööpiirkond peab olema hästi valgustatud. Ärge kasutage elektriseadmeid keskkonnas, kus esineb tulekahju- või plahvatusoht.
- 3. Kaitske end elektrilöögi eest.**  
Vältige keha kokkupuudet maandatud pindadega (nt torud, radiaatorid, pliidid, külmikud).
- 4. Tööpiirkonda ei tohi lubada lapsi.**  
Ärge lubage kõrvalistel isikutel puudutada seadet ja pikendusjuhet. Kõrvalisi isikuid ei tohi tööpiirkonda lubada.
- 5. Paigutage seadmed, mida te ei kasuta, sobivasse kohta hoiule.**  
Paigutage seadmed, mida te ei kasuta, hoiule kuiva ja kõrgel asuvasse või lukustatud kohta, kuhu lapsed ei pääse ligi.
- 6. Ärge rakendage seadme suhtes jõudu.**  
Seade töötab paremini ja ohutumalt kiirusel, millega töötamiseks see on ette nähtud.
- 7. Kasutage õiget seadet.**  
Ärge kasutage väikseid seadmeid ega tarvikuid tööks, mida sobib teha vaid võimsa ja vastupidava seadmega. Ärge kasutage seadmeid otstarvetel, milleks need ei ole ette nähtud. Ärge kasutage näiteks ketassaagi puukoste või palkide saagimiseks.
- 8. Riietuge sobival.**  
Ärge kandke laiu või lahtiste hõlmadega rõivaid ega ehteid, sest need võivad liikuvate osade vahele kinni jääda. Välistingimustes töötades on soovitatav kanda kummikindaid ja libisemiskindlaid jalatseid. Kinnitage pikad juuksed ja kandke kaitsvat peakatet.
- 9. Kasutage kaitseprille ja kuulmiskaitsevahendeid.**  
Kasutage tolmutest saagimistööd tehes ka näokatet või tolumumaski.
- 10. Ühendage saepuru eemaldamise seade.**  
Ühendage saepuru eemaldamise ja kogumise seadmed nende ühendamiseks vajalike rakiste olemasolul ning kasutage nimetatud seadmeid nõuetekohaselt.
- 11. Ärge kahjustage toitejuhet.**  
Ärge kandke seadet juhtmest kinni hoides ning ärge tõmmake järsult toitejuhtmest, et pistikut pistikupesast eemaldada. Hoidke toitejuhe eemal kuumusest, õlist ja teravatest servadest.
- 12. Kinnitage töödeldav detail.**  
Kasutage töödeldava detaili paigalhoidmiseks klambreid või kruustange. See on ohutum, kui hoida detaili käega kinni, ning nüüd on seadme juhtimiseks mõlemad käed vabad.
- 13. Ärge üritage küünitada liiga kaugele ette.**  
Jälgige, et teil oleks alati kindel jalgealune ning säilitage tasakaal.
- 14. Hoidke oma seadmed alati korras.**  
Paremate tulemuste saavutamiseks ja ohutuse tagamiseks hoidke lõiketerad terava ja puhtana. Järgige määrimist ja

tarvikute vahetamist puudutavaid juhiseid. Kontrollige regulaarselt seadme toitejuhet. Laske kahjustatud toitejuhet parandada volitatud teeninduskeskuses. Kontrollige regulaarselt kasutatavaid pikendusjuhtmeid ja vahetage kahjustatud pikendusjuhtmed uute vastu välja. Hoidke käepidemed kuiva ja puhtana. Need ei tohi olla õlised ega määrdesed.

- 15. Ühendage seade vooluvõrgust lahti.**  
Ühendage seade vooluvõrgust lahti ajaks, mil te seda ei kasuta, enne hooldamist ja tarvikute (nt saelindid, puuriotsad ja lõiketerad) vahetamist.
- 16. Eemaldage reguleerimis- ja mutrivõtmed.**  
Kujundage endal välja harjumus kontrollida seadet alati enne sisselülitamist, kas reguleerimis- ja mutrivõtmed on seadme küljest eemaldatud.
- 17. Vältige juhuslikku käivitumist.**  
Kui kannate vooluvõrku ühendatud seadet, siis ärge hoidke näppu seadme lülil. Veenduge enne seadme toitejuhtme pistiku pistikupesast ühendamist, et lüliti oleks väljalülitatud asendis.
- 18. Kasutage välistingimustes kasutamiseks mõeldud pikendusjuhtmeid.**  
Kui töötate seadmega väljas, siis kasutage ainult välistingimuste jaoks ette nähtud pikendusjuhtmeid.
- 19. Olge tähelepanelik.**  
Olge poolelioleva töö suhtes väga tähelepanelik ning jälgige pidevalt, mida te teete. Kasutage kainet mõistust. Ärge kasutage seadet, kui olete väsinud.
- 20. Kontrollige kahjustatud osi.**  
Enne seadme edasist kasutamist tuleb kahjustatud kaitseseadist või muud osa hoolikalt kontrollida, et määrata kindlaks, kas see töötab õigesti ja täidab ettenähtud funktsiooni. Kontrollige liikuvate osade tsentreeringut, liikuvate osade vaba jooksu, purunenud osi, osade paigaldust ja muid tingimusi, mis võivad mõjutada seadme funktsioneerimist. Kahjustatud kaitse või seadme muu osa tuleb nõuetekohaselt parandada või vahetada välja volitatud teeninduskeskuses, kui kasutusjuhendis ei ole soovitatud teisiti. Laske defektsed lülitid vahetada välja volitatud teeninduskeskuses. Ärge kasutage seadet, kui seda ei saa lülitist sisse ega välja lülitada.
- 21. Hoiatus.**  
Selles kasutusjuhendis ja kataloogis soovitatutest erinevate tarvikute ja lisaseadiste kasutamine võib kujutada endast ohtu vigastuste põhjustajana.
- 22. Laske seadet parandada asjatundjal.**  
Antud elektriseade vastab asjakohastele ohutusstandarditele nõuetele. Seda seadet võivad parandada ainult asjatundjad originaalvaruosid kasutades, vastasel korral võib seadme edasise kasutamisega kaasneda märkimisväärne oht kasutajale.

## TÄIENDAVID SEADME OHUTUSNORMID

### HOIDKE ANTUD JUHENDID ALLES.

- 1. Kasutage kaitseprille.**
- 2. Ärge kasutage seadet tingimustes, kus leidub tuleohtlikke vedelikke või gaase.**
- 3. Kasutage alati näo- või tolumumaski.**
- 4. Enne tööle hakkamist kontrollige hoolikalt, et saelindil poleks mõrasid või vigastusi. Vahetage mõradega või muul viisil vigastatud saelint kohe uue vastu välja.**



5. Kasutage ainult tootja soovitatud saelehti, mis vastavad EN847-1 nõuetele.
6. Kasutage alati selles kasutusjuhendis soovitatud tarvikuid. Sobimatute tarvikute (nt lihvkettad) kasutamine võib põhjustada kehavigastuse.
7. Valige saelint vastavalt saetavale materjalile.
8. Ärge kasutage kiirlõiketerasest valmistatud saelinte.
9. Mõra vähendamiseks veenduge alati, et saelint on terav ja puhas.
10. Vältige sisselõikamist metallesemetesse, nagu naelad ja kruvid. Enne toimingu teostamist kontrollige töödeldavat detaili ja eemaldage sellest kõik naelad, kruvid ja muud võõrkehad.
11. Enne lüliti sisselülitamist eemaldage töölaualt mutrivõtmed, mahalõigatud tükid jms.
12. ÄRGE KUNAGI kandke töötamise ajal kindaid.
13. Hoidke käed eemal saelindi liikumispiirkonnast.
14. ÄRGE KUNAGI seiske ega lubage kellelgi teisel seista ühel joonel saelindi liikumisteega.
15. Enne seadme kasutamist tegelikus töökeskkonnas laske sellel mõnda aega töötada. Jälgige vibratsiooni või vibamist, mis võib tähendada vale paigaldust või halvasti tasakaalustatud saelinti.
16. Kui laua vahetükk on kulunud, vahetage see välja.
17. Ühendage lintsaag puidu saagimise korral tolmukogumisseadmega.
18. Masinaga ei tohi töötada, kui luuk või saelindi kaitsepiire on lahti.
19. Kandke hoolt, et valitud saelint ja saagimiskiirus vastaksid saetava materjali omadustele.
20. Kui saelint liigub, siis ei tohi seda puhastada.

## PAIGALDAMINE (Joon. 1 ja 2)

### Lintsaag puki fikseerimine

Kui lintsaag kipub töö käigus ümber minema, libisema või liikuma, tuleb lintsaag pukk kinnitada pöranda külge. (Joon. 3–7)

- Pärast puki kinnitamist paigaldage käepide ja rehvid. (Joon. 8)

### Saepurukarbi kinnitamine

Saepurukarp kinnitatakse lintsaag töölaua alumiselt küljelt. Laadimisel sisestage seadme positsioneerimisava siseseval olev vedruklamber (kinnitamiseks), lükake saepurukarbi mõlemad tapiõlad relssidesse ja seejärel lükake seda välisserva poole. Kui vedruklambri esiserv asetub seadme kinnitusavasse, on saepurukarp fikseeritud. (Joon. 9 ja 10)

Kinnitage lintsaag töölaud pöördetapi külge, kasutades nelja kuuskantpolti. (Joon. 11)

Tarnimise ajaks on sisestatud tihvt, palun tõmmake see välja. (Joon. 12)

### Juhtpiirde paigaldamine (Joon. 13)

- Kinnitage juhtpiire nelja liblikruvi ja seibiga lintsaag töölaua külge.

## FUNKTSIONAALNE KIRJELDUS

### Lüliti kasutamine (Joon. 14)

#### ⚠ ETTEVAATUST:

- Enne töö alustamist veenduge, et seadet saab lülitada sisse ja välja.

Lüliti katte eemaldamiseks lükake see lihtsalt üles.

Seadme käivitamiseks vajutage sisselülitusnuppu ON (I).

Seiskamiseks vajutage väljalülitamise nuppu OFF (O).

### Lampide süütamine

Tule süütamiseks vajutage lüliti ülemist osa (I), kustutamiseks alumist osa (O).

Tööriista käivitamiseks tõstke hooblüliti. (Joon. 15)

Seiskamiseks langetage hooblüliti.

### Tõukevarras (Joon. 16)

Tõukevarrast kasutatakse käe pikendusena ning see kaitseb juhusliku kokkupuute eest saelindiga.

Tõukevarrast tuleks alati kasutada siis, kui lintsaag lõiketera ja piirde vaheline kaugus on väiksem kui 150 mm.

Juhtige tõukevarrast 20°–30° nurga all vastu töölaua pinda.

#### (Joon. 17)

Kui tõukevarrast ei kasutata, saate seda hoida vastavas hoidikus lintsaag raamil.

Vahetage kahjustunud tõukevarras välja.

### Eerungimõõdik (Joon. 18)

Eerungimõõdik paigaldatakse töölaua pilusse laua esiservast.

Kaldlõigete teostamiseks pöörduv eerungimõõdik mõlemas suunas kuni 60°.

45° ja 90° kaldlõigete teostamiseks on seadmel vastavad piirikud.

Kaldenurga seadistamiseks: laske lukustuskäepidet lödvemaks, pöörates seda vastupäeva.

#### ⚠ HOIATUS:

**Kui kasutate saagimisel eerungimõõdikut, peab lukustuskäepide olema tugevasti kinni keeratud.**

Abipiirde saab ära võtta ja ümber pöörata pärast nupu lahti keeramist.

### Piirde paigaldamine (Joon. 19)

Piiret saab kasutada mõlemal pool lõiketera. Kui piire tõstetakse lintsaag lõiketera ühelt poolelt teisele poolele, tuleb piire ümber pöörata.

### Piirde ümberpööramine (Joon. 20)

1. Keerake vertikaalsuruki nupp (B) lahti.
2. Eemaldage vertikaalsuruk piirde küljest.
3. Keerake nupp (A) lahti.
4. Tõstke piire hoidikust välja.
5. Pöörake piire ümber ja libistage piirdehoidikusse tagasi.
6. Keerake nupp (A) kinni.
7. Lükake vertikaalsuruk piirde külge tagasi.

### Piirde kinnitamine

1. Asetage piire juhtpiirdele.
2. Keerake piirde lukustushoob kinni.
3. Keerake vertikaalsuruki nupp (B) lahti.
4. Lükake vertikaalsuruk vastu tagumist lauaserava.
5. Keerake nupp (B) kinni.

Õhukeste materjalide saagimisel saab piirde kõrgust vähendada. (Joon. 21 ja 22)

1. Keerake vertikaalsuruki nupp (B) lahti.
2. Eemaldage vertikaalsuruk piirde küljest.
3. Keerake nupp (A) lahti.
4. Tõstke piire hoidikust välja.
5. Nupu (A) eemaldamiseks lükake see piirdest eemale.
6. Pöörake piiret 90°.
7. Sisestage nupp (A) piirde teise soonde.
8. Pange piire hoidikusse tagasi.

- Keerake nupp (A) kinni.
- Lükake vertikaalsuruk piirde külge tagasi. Kui piirde kõrgust on vähendatud, siis nullpunkt muutub. Kui piire asub vasakul pool sae lõiketera, siis lükake juhtpiiret vasakule, et reguleerida 0-punkti.

## KOKKUPANEK

### Saelindi väljavahetamine

#### ⚠ ETTEVAATUST:

- Kokkupuude lintsaie lõiketeraga võib põhjustada kehavigastuse isegi siis, kui saelint ei liigu.
  - Saeleht on ohtlik. Kandke saelehe käsitlemisel (näiteks selle eemaldamine pakendist, lehe paigaldamine, väljavahetamine) kindlasti kindaid.
- Keerake kaks parempoolse juhtpiirde käsikruvi lahti ja lükake parempoolset külgiiret paremale. (Joon. 23)
  - Avage lintsaie ülemine ja alumine kate. (Joon. 24)
  - Hoidke käepidemest kinni ja eemaldage tolmukate, tõmmates seda ülespoole. (Joon. 25)
  - Avage saelindi alumine kaitse. (Joon. 26)
  - Seadke saelindi ülemine juhik kõige alumisse asendisse.
  - Laske kiire lahtipäästemehhanismi hoob lödvemaks, kuni saelint on lõtvunud. (Joon. 27)
  - Saelindi eemaldamiseks juhtige see läbi
    - sae lõiketeras oleva ava;
    - saelindi ülemistel juhikutel oleva saelindi kaitse;
    - sae korpusel oleva saelindi katte.
  - Paigaldage uus saelint. Jälgige, et selle asend oleks õige: hambad peavad olema suunatud sae esiosa (luugi) poole.
  - Seadke saelint rataste kummist katete keskele.
  - Pingutage kiire lahtipäästemehhanismi hooba, kuni saelint ei libise lintsaie ratastelt maha.
  - Sulgege saelindi alumine kaitse.

#### ⚠ ETTEVAATUST:

Sulgege alumine kate alles siis, kui saelindi alumine kaitse on suletud asendis.

- Viige parempoolne juhtpiire tagasi algasendisse. (Joon. 28 ja 29)
- Paigaldage tolmukate.
- Sulgege mõlemad katted.
- Seejärel:
  - pingutage saelinti (vt lõiku „Saelindi pingutamine” peatükis „FUNKTSIONAALNE KIRJELDUS”);
  - joondage saelint (vt lõiku „Saelindi joondamine” peatükis „KOKKUPANEK”);
  - joondage saelindi juhikud (vt lõiku „Saelindi ülemise juhiku joondamine” peatükis „FUNKTSIONAALNE KIRJELDUS”);
  - teostage sae proovikäitamine, mis peaks kestma vähemalt üks minut;
  - seisake saag, eemaldage pistik toitevõrgust ja kontrollige seadistusi.

### Saagimiskiiruse reguleerimine (Joon. 30)

- Avage alumine kate.
- Laske ajamirihm lödvemaks, pöörates nuppu vastupäeva suunas.
- Seadke ajamirihm nõutavale veoratta (lintsaie alumine ratas) rihmarattale ja vastavale mootori rihmarattale (vt alumise katte siseküljel olevat silti).

#### ⚠ ETTEVAATUST:

Ajamirihm peab jooksuma kas mõlemal eesmisel või mõlemal tagumisel rihmarattal. Ärge kunagi laske kiirihmal joosta diagonaalselt.

### Rihma pingsuse seadenupp (Joon. 31)

Rihma pingsuse seadenupuga saab vajaduse korral reguleerida rihma pingsust:

- seadenupu pööramisel päripäeva suunas ajamirihma pingsus väheneb;
- seadenupu pööramisel vastupäeva suunas ajamirihma pingsus suureneb.

Pingutage ajamirihma uuesti, keerates nuppu vastupäeva suunas (kahe ratta vahekauguse keskkohas peaks ajamirihma lõtk olema ligikaudu 10 mm). (Joon. 32)

Sulgege alumine kate.

## FUNKTSIONAALNE KIRJELDUS

### Saelindi pingutamine (Joon. 33)

#### ⚠ ETTEVAATUST:

**Liigne pingutamine võib põhjustada saelindi purunemise. Ebapiisav pingutamine võib põhjustada lintsaie veetava ratta libisemise ja saelindi seiskumise.**

- Tõstke ülemine tera täielikult üles. Juhinduge skaalast ja pöörake tähelepanu terale ning pöörake nuppu, et pinget kohandada. (Pärast pinget reguleerimist kontrollige seda nagu näidatud punktis 2.)
- Saelindi pingsuse kontrollimine:
  - saelindi pingsuse kontrollimiseks tõugake töölaua ja saelindi ülemise juhiku vahekauguse keskkohas sõrmega vastu saelindi külge (saelindi lõtk ei tohiks olla suurem kui 1–2 mm);
  - kontrollige reguleerimist saelindi pingsuse indikaatoril. Skaala näitab õiget reguleerimist vastavalt saelindi laiusele.
- Vajadusel reguleerige pingsust:
  - seadenupu pööramisel päripäeva suunas saelindi pingsus suureneb;
  - seadenupu pööramisel vastupäeva suunas saelindi pingsus väheneb.

### Saelindi joondamine (Joon. 34)

Kui saelint ei jookse ratta kummist katete keskel, tuleb liikumistrajektor õigeks seada. Selleks tuleb reguleerida lintsaie ülemise ratta kallet:

- Keerake nupp lahti.
- Pöörake ülemist ratas käsitsi ning olge ettevaatlik, et te ei puudutaks saelinti.
- Kui saelint liigub sae esiosa poole, siis keerake seadenuppu päripäeva suunas;
  - kui saelint liigub sae tagaosa poole, siis keerake seadenuppu vastupäeva suunas.
- Pärast reguleerimist keerake lukustusnupp alati kinni. (Joon. 35)

### Kiire lahtipäästemehhanismi hoob (Joon. 36)

Kiire lahtipäästemehhanismi hooba abil vabastatakse saelint pingelt alt.

Päripäeva: pingsuse vähendamine

Vastupäeva: pingsuse suurendamine

## Saelindi ülemise juhiku reguleerimine (Joon. 37)

Saelindi ülemise juhiku kõrgust on vaja reguleerida järgmistel juhtudel:

enne igat saagimist/toimingut, et kohandada töödeldava detaili kõrgust (saelindi ülemine juhik tuleb seada ligikaudu 3 mm kõrgusele töödeldava detaili kohale);

- pärast saelindi või töölauda reguleerimisi (nt saelindi vahetamine, selle pingutamine, lintsaie töölauda joondamine).

### ⚠ ETTEVAATUST:

Enne saelindi ülemise juhiku reguleerimist ja töölauda kallutamist:

- lülitage seade VÄLJA;

- oodake, kuni saelint on täielikult seiskunud.

• Seadke saelindi ülemine juhik reguleerimisnupu abil soovitud kõrgusele, lastes lukustusnupu lödvemaks.

Pärast reguleerimist keerake lukustusnupp kindlasti korralikult kinni.

• Ärge saagige mitut detaili korraga ning ärge saagige mitmest detailist koosnevat pakette. Saelindi külge kinni jäänud detailid võivad kontrolli alt väljuda ja põhjustada kehavigastuse.

1. Vabastage polt C ja reguleerige laagri hoidikut niimoodi, et see on 1 või 2 mm kaugusel tera alumisest osast. (Joon. 38 - 40)
2. Vabastage polt A ja reguleerige tugilaagrit, et see oleks 0,5 mm tera tagaosast.
3. Vabastage polt B ja reguleerige laagri hoidikut, et see oleks 0,5 mm terast eemal.

## Saelindi alumise juhiku joondamine (Joon. 41)

Saelindi alumine juhik koosneb järgmistest komponentidest:

- tugilaager (toetab saelinti tagant);

- kaks juhiku laagrit (toetavad küljelt).

Neid komponente tuleb alati uuesti reguleerida pärast saelindi väljavahetamist või liikumistrajektoori reguleerimist:

### Märkus:

kontrollige regulaarselt tugilaagrite ja juhiku laagrite kulumist ning vajaduse korral vahetage mõlemad juhiku laagrid samaaegselt välja.

- Avage alumise katte luuk ja saelindi alumine kaitse.
- Avage kuuskantpolt, liigutage kogu alumise tera juhikut ning reguleerige juhiku laager asendisse, mis jääks 1 või 2 mm kaugusele individuaalse tera allservast.

## Tugilaagri reguleerimine

1. Vabastage polt A.
2. Reguleerige tugilaagri asendit (tugilaagri ja saelindi vahekaugus = 0,5 mm – kui saelinti käega pööratakse, ei tohi saelint tugilaagrit puudutada).
3. Pinguldage polt A.

## Juhiku laagrite reguleerimine (Joon. 42)

1. Vabastage polt B.
2. Seadke juhiku laager vastu saelinti.
3. Pöörake saelindi ratas käsitsi päripäeva mitu pööret, et tuua laagrid õigesse asendisse. Vabastage polt A ja reguleerige tugilaagrit, et see oleks 0,5 mm tera tagaosast. Mõlemad juhiku laagrid peaks saelindi tera kõigest ÕRNALT PUUDUTAMA.
4. Taaspinguldage polt B.
5. Sulgege saelindi alumine kaitse.
6. Sulgege alumise katte luuk.

## Lintsae töölauda joondamine täisnurga all saelindi suhtes (Joon. 43 ja 44)

1. Tõstke saelindi ülemine juhik täielikult üles (vt „Käitamine”).

2. Kontrollige saelindi pingsust (vt „FUNKTSIONAALNE KIRJELDUS”).

Pöörake käepidet päripäeva, et kallutada lauda vastupäeva ning pöörake käepidet vastupäeva, et kallutada lauda päripäeva.

3. Laske lukustushooba lödvemaks.

4. Kasutage nurgikut ja seadke lintsaie töölaud täisnurga alla saelindi suhtes pöörates selleks käepidet ning keerake lukustushoob uuesti kinni.

5. Reguleerige käigupiirikukruvi, kuni see puudutab sae korpust.

## Käitamine (Joon. 45 ja 46)

### ⚠ Ohtlik:

**Selleks, et minimeerida kehavigastuse ohtu, tuleks sae käitamisel järgida allpool toodud ohutusalaseid soovitusi.**

### ⚠ ETTEVAATUST:

- Saagimise ajal ei tohi saelehte puutada.
- Kandke saagimise ajal kaitseprille, kuid mitte kindaid.
- Saagige korraga ainult ühte detaili.
- Hoidke töödeldavat detaili alati vastu töölauda.
- Vältige töödeldavate detailide kinnikiilumist.
- Ärge püüdke aeglustada saelindi liikumiskiirust ega peatada saelinti töödeldava detaili tõukamisega vastu saelindi külge.
- Kasutage otsesaagimisel vastu piiret lükkamiseks pulka.
- Kui teostatava töö puhul on nõutud, siis kasutage järgmisi abivahendeid:
  - tõukevarras – kui piirde ja saelindi vahekaugus on  $\leq 150$  mm;
  - töödeldava detaili tugilaud – kui saete pikki detaile, mis lõike lõpetamisel võivad laualt maha kukkuda;
  - tolmu kogur;
  - ümarmaterjali saagimisel tuleb materjal kindlalt fikseerida, nagu joonisel näidatud.
  - sobiv juhik detaili toestamiseks, kui saete õhukest detaili, mis toetub oma servale.
  - kindad saelehe ja pinnulise materjali käsitlemiseks.
- Enne töö alustamist kontrollige, kas kõik järgmised komponendid on töökorras:
  - saelint;
  - saelindi ülemine ja alumine kaitse.
- Vahetage kahjustunud komponendid kohe välja.
- Saelint on õigesti paigaldatud, kui saelindi hambad on suunatud operaatori poole.

## Saagimine

### ⚠ HOIATUS:

Tagasilöögi oht (töödeldav detail kiilub saelindi külge ja põrkub operaatori suunas tagasi).

Vältige töödeldava detaili kinnikiilumist.

- Valige piire ja lauda kalle vastavalt teostatavale tööle.
- Seadke saelindi ülemine juhik 3 mm kõrgusele töödeldava detaili kohale.

### Märkus:

Teostage alati enne detaili saagimist proovisaagimine mõne puidutüki peal, et kontrollida seadistuste õigsust ning vajadusel neid reguleerida.

- Asetage töödeldav detail saelindile.
- Ühendage pistik pistikupesasse.
- Käivitage saag.

- Saagige detail ühe läbimisega.
- Kui te kohe uute lõiget ei tee, siis lülitage lintsaag välja.
- Kasutage eraldi ostetud alamlauda.

## Lintsae töölaua kallutamine (Joon. 47)

### ⚠ ETTEVAATUST:

Faasisaagimise korral kallutatud töölauga asetage juhik töölaua madalamale osale.

Pärast lukustushoova lahti keeramist saab töölauda sujuvalt kallutada kuni 47° saelindi suhtes.

Pöörake käepidet päripäeva, et kallutada lauda vastupäeva ning pöörake käepidet vastupäeva, et kallutada lauda päripäeva.

## Ühendamine tolmuimejaga (Joon. 48 ja 49)

Ühendades seadme Makita tolmuimejaga või tolmu koguriga, saab töötada puhtamalt.

Kui suure avaga koguri külge on paigaldatud saepuru eemaldi, siis veenduge, et sellel on suur ava.

## Kuidas masinat teisaldada (Joon. 50)

- Seadme teisaldamiseks tõstke käepide üles.
- Saelehe kaitse peab transportimise ajal olema langetatud täiesti alla ning asuma laua ligidal.
- Kaitsepiiret ei tohi kasutada käsitsemiseks ega transportimiseks.

### ⚠ ETTEVAATUST:

- Kui käepide on tõstetud liiga kõrgele, võib seade ümber kukkuda.

## HOOLDUS

### ⚠ ETTEVAATUST:

- Kandke alati enne kontroll- või hooldustoimingute teostamist hoolt selle eest, et seade oleks välja lülitatud ja vooluvõrgust lahti ühendatud.

### TÄHELEPANU:

- Ärge kunagi kasutage bensiini, vedeldit, alkoholi ega muid sarnaseid aineid. Need ained võivad põhjustada luitumist, deformatsiooni või pragunemist.

### Puhastamine

Aeg-ajalt puhastage seadet saepurust ja -laastudest. Puhastage hoolikalt saelindi kaitse ja lintsae sisemuses paiknevad liikuvad osad.

### Määrimine

Et hoida lintsaagi heas töökorras ning kindlustada selle võimalikult pikk kasutusiga, tuleb liikuvaid ja pöörlevaid osi aeg-ajalt õlitada või määrada.

Müra vähendamiseks veenduge alati, et saeleht on terav ja puhas.

Toote OHUTUSE ja TÖÖKINDLUSE tagamiseks tuleb vajalikud remonttööd, muud hooldus- ja reguleerimistööd lasta teha Makita volitatud teeninduskeskustes. Alati tuleb kasutada Makita varuosi.

## TARVIKUD

### ⚠ ETTEVAATUST:

- Neid tarvikuid ja lisaseadiseid on soovitatav kasutada koos Makita seadmega, mille kasutamist selles kasutusjuhendis kirjeldatakse. Muude tarvikute ja lisaseadiste kasutamisega kaasneb vigastamise oht. Kasutage tarvikuid ja lisaseadiseid ainult selleks ettenähtud eesmärgil. Vajadusel saate kohalikust Makita teeninduskeskusest nende tarvikute kohta lisateavet.

- Lintsae pukk
- Kuuskantvõti
- Piire
- Eerungimõõdik
- Ringlõiketera
- Pikenduslaud
- Lindi lihvimistarvik

## Ainult Euroopa riikide jaoks

### Müra

Tüüpilised müratasemete A-kaalutud keskmised väärtused on helirõhu tase: 81 dB (A)  
müratugevuse tase: 94 dB (A)  
Määramatus (K): 3 dB (A)

### Kasutage kuulmiskaitsmeid.

Need väärtused on saadud vastavalt standardile EN61029.

## EÜ vastavusdeklaratsioon

### Makita korporatsiooni vastutava tootjana kinnitame, et alljärgnev(ad) Makita seade (seadmed):

Masina tähistus: Lintsaa

Mudeli nr/tüüp: LB1200F

on seeriatoodang ja

### vastab järgmiste Euroopa direktiivide nõuetele:

2006/42/EÜ

ning on toodetud vastavalt järgmistele standarditele või standardiseeritud dokumentidele:

EN61029

EÜ tüübivastavuse sertifikaat nr: M6A 10 05 26932 017

EÜ tüübivastavust kontrollis:

TÜV SÜD Product Service GmbH, Zertifizierstelle,  
Ridlerstraße 65, 80339 München, Saksamaa  
ID nr: 0123

Tehnilist dokumentatsiooni hoitakse meie volitatud esindaja käes Euroopas, kelleks on:

Makita International Europe Ltd.,  
Michigan, Drive, Tongwell,  
Milton Keynes, Bucks MK15 8JD, Inglismaa

25. 05. 2010



Tomoyasu Kato  
Direktor

Makita Corporation  
3-11-8, Sumiyoshi-cho,  
Anjo, Aichi, JAPAN

# РУССКИЙ (Оригинальные инструкции)

## Пояснения к общему виду

- |                                                           |                                           |                                                                    |
|-----------------------------------------------------------|-------------------------------------------|--------------------------------------------------------------------|
| 1. Колесо                                                 | 24. Ручка (для регулировки наклона стола) | 54. Дисковая пила                                                  |
| 2. Верхняя крышка                                         | 25. Рама                                  | 55. Корпус пилы                                                    |
| 3. Переключатель подсветки                                | 26. Ручка                                 | 56. Нижнее ограждение режущего диска                               |
| 4. Выключатель                                            | 27. Шайба                                 | 57. Рычаг быстрого отпускания                                      |
| 5. Направляющая планка                                    | 28. Болт с головкой под шестигранник      | 58. Нижнее колесо ленточной пилы                                   |
| 6. Нижняя крышка                                          | 29. Тарельчатая пружина                   | 59. Шкив электромотора                                             |
| 7. Рукоятка для переноски                                 | 30. Отверстие для крепления               | 60. Приводной ремень                                               |
| 8. Пылевой ящик                                           | 31. Центрирующее отверстие                | 61. Шкив приводного колеса                                         |
| 9. Ручка (для натяжения пильного полотна)                 | 32. Стол                                  | 62. Примерно 10 мм                                                 |
| 10. Ручка (для фиксации верхней крышки корпуса)           | 33. Болты с шестигранной головкой         | 63. Рукоятка блокировки                                            |
| 11. Ручка (для регулировки направляющей полотна)          | 34. Подвеска                              | 64. Ручка регулировки                                              |
| 12. Ручка (для фиксации направляющей полотна)             | 35. Штифт                                 | 65. Центрирующий подшипник                                         |
| 13. Верхняя направляющая полотна                          | 36. Винт с накатанной головкой            | 66. Болт (А)                                                       |
| 14. Полотно                                               | 37. Направляющая стола                    | 67. Расстояние от центрирующего подшипника до нижней части полотна |
| 15. Ручка (для фиксации нижней крышки корпуса)            | 38. Крышка переключателя                  | 68. Болт С                                                         |
| 16. Ручка (для натяжения клиновидного ремня)              | 39. Выключатель                           | 69. Болт В                                                         |
| 17. Приводной ремень                                      | 40. Выключатель                           | 70. Держатель подшипника                                           |
| 18. Стойка                                                | 41. ВКЛ.                                  | 71. Опорный подшипник                                              |
| 19. Обод                                                  | 42. Нажимная палка                        | 72. Винт                                                           |
| 20. Стопорный рычаг (для фиксирования наклона стола)      | 43. Измеритель угла резки                 | 73. Гайка                                                          |
| 21. Отверстие пылеотвода                                  | 44. Фиксирующая рукоятка                  | 74. Коллектор с большим отверстием                                 |
| 22. Рычаг (быстрого опускания)                            | 45. Круглая рукоятка                      | 75. Коллектор с маленьким отверстием                               |
| 23. Ручка (для регулировки движения режущего инструмента) | 46. Ручка (А)                             | 76. Маленький пылесборник (Установлен на основной блок)            |
|                                                           | 47. Ограждение                            | 77. Большой пылесборник (Для замены)                               |
|                                                           | 48. Стопорный рычаг                       | 78. Направляющая                                                   |
|                                                           | 49. Держатель направляющей планки         | 79. Выступ                                                         |
|                                                           | 50. Ручка (В)                             | 80. Болт с шестигранной головкой                                   |
|                                                           | 51. Удерживающая скоба                    |                                                                    |
|                                                           | 52. Винты с накатанной головкой           |                                                                    |
|                                                           | 53. Пылезащитная крышка                   |                                                                    |

## ТЕХНИЧЕСКИЕ ХАРАКТЕРИСТИКИ

Модель	LB1200F	
Размер круга	305 мм	
Макс. режущая способность	165 мм	
Скорость без нагрузки	Большой	840 мин <sup>-1</sup> (50 Гц)/1040 мин <sup>-1</sup> (60 Гц)
	Малый	420 мин <sup>-1</sup> (50 Гц)/520 мин <sup>-1</sup> (60 Гц)
Скорость резания	Большой	13,3 м/с (800 м/мин) (50 Гц)/16,7 м/с (1000 м/мин) (60 Гц)
	Малый	6,7 м/с (400 м/мин) (50 Гц)/8,3 м/с (500 м/мин) (60 Гц)
Размер полотна	Окружность 2240 мм x Ширина 6 мм, 13 мм, 16 мм	
Габаритные размеры	615 мм x 775 мм x 1600 мм	
Размер стола	560 мм x 400 мм	
Вес нетто	81,2 кг	

- В рамках нашей постоянно действующей программы исследований и разработок приведенные технические характеристики могут быть изменены без предварительного уведомления.
- Технические характеристики могут отличаться в зависимости от страны.
- Масса в соответствии с процедурой EPTA 01.2003

### Символы

END215-2

Ниже приведены символы, используемые для электроинструмента. Перед использованием убедитесь, что вы понимаете их значение.



..... Прочитайте руководство пользователя.



..... Вытащите вилку из розетки.



..... Одевайте защитные очки.



..... Держите руки и пальцы на расстоянии от полотна.



..... Только для стран ЕС

Не выкидывайте электрическое оборудование вместе с обычным мусором!

В соответствии с европейской директивой 2002/96/EG об утилизации старого электрического и электронного оборудования и её применения в соответствии с местными законами электрическое

оборудование, бывшее в эксплуатации, должно утилизироваться отдельно безопасным для окружающей среды способом.

### Назначение

Данный инструмент предназначен для резки по древесине.

### Питание

Подключайте данный инструмент только к тому источнику питания, напряжение которого соответствует напряжению, указанному на паспортной табличке. Инструмент предназначен для работы от источника однофазного переменного тока. В соответствии с европейским стандартом данный инструмент имеет двойную изоляцию и поэтому может подключаться к розеткам без провода заземления.

## ИНСТРУКЦИИ ПО ТЕХНИКЕ БЕЗОПАСНОСТИ

ENA001-2

**⚠ ПРЕДОСТЕРЕЖЕНИЕ:** Во избежание риска возгорания, поражения электрическим током или получения травмы при использовании электроинструмента следует соблюдать основные правила техники безопасности, указанные ниже. Перед эксплуатацией данного инструмента внимательно прочитайте инструкции и сохраните их для последующего использования.

### Для безопасной работы:

- 1. Поддерживайте чистоту на рабочем месте.**  
Захламленное рабочее место может привести к травмам.
- 2. Учитывайте условия окружающей среды на рабочем месте.**  
Не подвергайте электроинструменты воздействию дождя. Не используйте электроинструменты во влажных или мокрых местах. Обеспечивайте хорошую освещенность на рабочем месте. Не пользуйтесь электроинструментом в случае наличия риска возгорания или взрыва.
- 3. Оградите себя от риска поражения электрическим током.**  
Избегайте контакта участков тела с заземленными поверхностями (например, трубы, радиаторы, батареи отопления, холодильники).
- 4. Не допускайте детей к месту производства работ.**  
Не позволяйте посторонним прикасаться к инструменту или удлинителю шнуру. Все посторонние должны находиться на расстоянии от места производства работ.
- 5. Хранение неиспользуемого инструмента.**  
Если электроинструмент не используется, он должен храниться в сухом, высоко расположенном или запортом месте, недоступном для детей.
- 6. Не прилагайте излишних усилий к электроинструменту.**  
Работа будет выполнена лучше и безопаснее с расчетной скоростью инструмента.
- 7. Используйте инструмент, соответствующий выполняемой работе.**  
Не пытайтесь заставить небольшой инструмент или приспособления выполнять работу, рассчитанную на использование мощного инструмента. Не используйте инструменты не по назначению. Например, не используйте циркулярные пилы для резки веток деревьев или бревен.
- 8. Одевайтесь правильно.**  
Не надевайте свободную одежду или украшения, так как они могут попасть в движущиеся детали инструмента. При работе вне помещения рекомендуется надевать резиновые перчатки и обувь без каблуков. Если у вас длинные волосы, убирайте их под соответствующий головной убор.
- 9. Используйте защитные очки и беруши.**  
При резке материалов, образующих пыль, надевайте пылезащитную маску для лица.
- 10. Подключайте оборудование пылеудаления.**  
Если электроинструмент оборудован системой удаления пыли, убедитесь, что она подключена к общей системе пылеудаления.
- 11. Бережно обращайтесь с сетевым шнуром.**  
Не тяните инструмент за шнур питания и не дергайте его для выключения вилки из розетки. Располагайте шнур на расстоянии от источников тепла, масла и острых краев.
- 12. Обеспечивайте безопасность при работе с деталями.**  
Используйте зажимы или тиски для фиксации детали. Это безопаснее, чем использование рук, и к тому же у вас будут свободны обе руки для работы с инструментом.
- 13. Не старайтесь дотянуться до чего-либо.**  
Всегда сохраняйте устойчивое положение ног и равновесие.
- 14. Соответствующим образом выполняйте обслуживание инструмента.**  
Для лучшей и безопасной работы режущий инструмент всегда должен быть острым и чистым. Следуйте инструкциям по смазке и замене принадлежностей. Периодически осматривайте шнур питания электроинструмента и в случае повреждения отремонтируйте его в авторизованном сервисном центре. Периодически осматривайте удлинитель и, в случае его повреждения, замените. Ручки инструмента всегда должны быть сухими и чистыми и не должны быть испачканы маслом или смазкой.
- 15. Отключайте электроинструмент.**  
Если инструмент не используется, перед выполнением обслуживания, сменой принадлежностей, таких как лезвия, долото и ножи.
- 16. Не оставляйте на инструменте ключи, использовавшиеся для регулировки.**  
Возьмите за правило проверять отсутствие регулировочных ключей на инструменте перед его включением.
- 17. Избегайте самопроизвольного запуска.**  
Не переносите инструмент, включенный в розетку, держа палец на выключателе. Перед включением вилки в розетку убедитесь, что выключатель инструмента выключен.
- 18. При работе вне помещений используйте соответствующие удлинители.**  
При использовании инструмента вне помещения, используйте удлинители, специально предназначенные для таких целей.
- 19. Будьте бдительны.**  
Следите за тем, что вы делаете. Руководствуйтесь здравым смыслом. Не пользуйтесь инструментом, если вы устали.
- 20. Убедитесь в отсутствии поломанных деталей.**  
Перед последующим использованием инструмента ограждение или другая поврежденная деталь должны быть тщательно осмотрены, чтобы убедиться, что инструмент будет работать нормально и выполнять функции, для которых он предназначен. Убедитесь в соосности движущихся узлов, свободном ходе движущихся деталей, отсутствии поломок деталей, надежности крепления и отсутствии других дефектов, которые могут повлиять на

работу электроинструмента. Поврежденное ограждение, или какая-либо другая деталь должны быть соответствующим образом отремонтированы или заменены авторизованным сервисным центром, если только в руководстве по эксплуатации не указано других действий. Неисправные выключатели должны заменяться только в авторизованном сервисном центре. Не пользуйтесь электроинструментом с неисправным выключателем.

#### 21. Предостережение.

Использование принадлежностей или насадок, не рекомендованных в данном руководстве по эксплуатации или в каталоге, может привести к травме.

#### 22. Доверяйте ремонт вашего инструмента только квалифицированному персоналу.

Данный электроинструмент соответствует применяемым к нему требованиям безопасности. Ремонт должен выполняться только квалифицированным персоналом с использованием оригинальных запасных частей. Несоблюдение этого правила может привести к возникновению угрозы безопасности пользователя.

## ДОПОЛНИТЕЛЬНЫЕ ПРАВИЛА ТЕХНИКИ БЕЗОПАСНОСТИ ДЛЯ ИНСТРУМЕНТА

### СОХРАНИТЕ ДАННЫЕ ИНСТРУКЦИИ.

1. Пользуйтесь средствами защиты глаз.
2. Не пользуйтесь инструментами в присутствии легко воспламеняющихся жидкостей или газов.
3. Всегда надевайте пылезащитную маску для лица.
4. Перед эксплуатацией тщательно осмотрите полотно и убедитесь в отсутствии трещин или повреждений. Немедленно замените треснувшее или поврежденное полотно.
5. Используйте только рекомендуемые производителем диски для пил, которые также удовлетворяют требованиям EN847-1.
6. Всегда используйте принадлежности, рекомендованные в данном руководстве. Использование ненадлежащих принадлежностей, таких как абразивные отрезные круги, может привести к травме.
7. Выберите диск в соответствии с материалом, который будет нарезаться.
8. Не используйте дисковые пилы, изготовленные из быстрорежущей стали.
9. Для снижения уровня шума всегда пользуйтесь острыми и чистыми пилами.
10. Не режьте металлы (например, гвозди и шурупы). Перед началом работ удалите все гвозди, шурупы и другие инородные предметы из обрабатываемой детали.
11. Перед включением инструмента уберите со стола гаечные ключи, обрезки и т. д.
12. НИКОГДА не надевайте перчатки во время работы.
13. Держите руки в стороне от линии прохода пильного полотна.
14. НИКОГДА не стойте и не разрешайте другим стоять на линии прохода пильного полотна.
15. Перед использованием инструмента на обрабатываемой детали дайте ему поработать некоторое время вхолостую. Следите за вибрацией

или биением, которые могут свидетельствовать о неправильной установке или плохой балансировке полотна.

16. В случае износа замените вкладыш стола.

17. При работе по дереву подсоединяйте ленточную пилу к пылеуловителю.

18. Не включайте устройство, если дверца или защитное ограждение ленточной пилы не закрыты.

19. Убедитесь, что выбранная ленточная пила и скорость работы соответствуют материалу.

20. Не очищайте движущееся полотно ленточной пилы.

## УСТАНОВКА (Рис. 1 и 2)

### Зафиксируйте стойку ленточной пилы

Если во время работы ленточной пилы появляются признаки ее опрокидывания, соскальзывания или перемещения, закрепите стойку ленточной пилы к полу. (Рис. 3 - 7)

- После присоединения стойки, присоедините ручку и ободы. (Рис. 8)

### Как загрузить пылевой ящик

Пылевой ящик загружается с нижней стороны отрезного станка со столом. При загрузке вставьте тарельчатую пружину (для фиксации) с внутреннего края центрирующего отверстия устройства, а выступы пылесборника установите на направляющие. Затем сдвиньте пружину к внешнему краю.

Как только передний край фиксирующей тарельчатой пружины войдет в фиксирующее отверстие устройства, пылевой ящик будет загружен. (Рис. 9 и 10)

Зафиксируйте стол на подвеске с помощью четырех болтов с шестигранной головкой. (Рис. 11)

Штифт вставляется при перевозке, затем его следует извлечь. (Рис. 12)

### Установка направляющей стола (Рис. 13)

- Скрепите при помощи четырех винтов с накатанной головкой и четырех шайб направляющую стола и стол.

## ТЕХНИЧЕСКОЕ ОПИСАНИЕ

### Включение (Рис. 14)

#### ⚠ ПРЕДУПРЕЖДЕНИЕ:

- Перед эксплуатацией проверьте инструмент, включив, а затем выключив его.

Крышку переключателя легко открыть, сдвинув ее вверх.

Для включения инструмента нажмите кнопку ВКЛ (I).

Для выключения инструмента нажмите кнопку ВЫКЛ. (O) или на крышку переключателя.

### Включение ламп

Установите переключатель в верхнее положение (I), чтобы включить лампу, или в нижнее (O), чтобы выключить ее.

Для включения инструмента поднимите рычажный выключатель. (Рис. 15)

Для выключения инструмента опустите рычажный выключатель.

### Нажимная палка (Рис. 16)

Нажимная палка служит в качестве "продолжения" руки и защищает руку от случайного контакта с дисковой пилой.

Если расстояние между пильным полотном и направляющей планкой менее 150 мм, обязательно используйте нажимную палку.

Направляйте нажимную палку под углом 20° ... 30° от поверхности отрезного станка со столом. **(Рис. 17)**

Когда нажимная палка не используется, ее можно хранить в футляре, прилагаемом к раме ленточной пилы.

При повреждении замените нажимную палку.

### Измеритель угла резки (Рис. 18)

Измеритель угла резки вставляется в отверстие стола с передней стороны стола.

При выполнении распилов под углом измеритель вращается на 60° в обоих направлениях.

Для углов в 45° и 90° прилагаются упоры-ограничители.

Для настройки угла резки: ослабьте фиксирующую рукоятку, повернув ее против часовой стрелки.

#### ⚠ ПРЕДОСТЕРЕЖЕНИЕ:

**При работе с измерителем угла резки фиксирующая рукоятка должна быть затянута.**

Дополнительную направляющую планку можно снять и перевернуть после ослабления ручки.

### Установка направляющей планки (Рис. 19)

Направляющая планка может использоваться с обеих сторон полотна. При перемещении направляющей планки с одной стороны дисковой пилы на другую, направляющую необходимо перевернуть.

### Переворачивание направляющей планки (Рис. 20)

1. Ослабьте ручку (B) удерживающей скобы.
2. Снимите удерживающую скобу с направляющей планки.
3. Ослабьте ручку (A).
4. Снимите направляющую планку с ее держателя.
5. Переверните направляющую и наденьте ее обратно на держатель.
6. Затяните ручку (A).
7. Наденьте удерживающую скобу на направляющую планку.

### Фиксация направляющей планки

1. Расположите направляющую планку на направляющей стола.
2. Затяните стопорный рычаг направляющей планки.
3. Ослабьте ручку (B) удерживающей скобы.
4. Сдвиньте удерживающую скобу от заднего края стола.
5. Затяните рукоятку (B).

Высота направляющей планки может быть снижена при распиливании тонких материалов. **(Рис. 21 и 22)**

1. Ослабьте ручку (B) удерживающей скобы.
2. Снимите удерживающую скобу с направляющей планки.
3. Ослабьте ручку (A).
4. Снимите направляющую планку с ее держателя.
5. Сдвиньте рукоятку (A) с направляющей, чтобы затем снять ее.
6. Поверните направляющую планку на 90°.
7. Вставьте рукоятку (A) в другой паз направляющей планки.
8. Верните направляющую в держатель.
9. Затяните ручку (A).
10. Наденьте удерживающую скобу на направляющую планку.

После снижения высоты направляющей, 0 (нулевая) точка также меняется. Если направляющая планка находится с левой стороны полотна, сдвиньте направляющую стола влево, чтобы отрегулировать нулевую точку.

## СБОРКА

### Изменение полотна ленточной пилы

#### ⚠ ПРЕДУПРЕЖДЕНИЕ:

- Контакт с полотном ленточной пилы (даже при ее бездействии) может привести к травме.
  - Дисковая пила опасна.  
При извлечении полотна пилы из упаковки, его установке и замене всегда надевайте перчатки.
1. Ослабьте два винта с накатанной головкой для правой направляющей стола и сдвиньте правую планку вправо. **(Рис. 23)**
  2. Откройте верхнюю и нижнюю крышки инструмента. **(Рис. 24)**
  3. Держась за ручку, потяните пылезащитную крышку вверх, чтобы снять ее. **(Рис. 25)**
  4. Откройте нижнее ограждение режущего диска. **(Рис. 26)**
  5. Установите верхнюю направляющую полотна в ее самое низкое положение.
  6. Ослабьте рычаг быстрого отпускания до момента, пока полотно ленточной пилы не ослабнет. **(Рис. 27)**
  7. Чтобы снять полотно ленточной пилы, проведите его через
    - отверстие в дисковой пиле.
    - ограждение в верхней части направляющих полотна.
    - крышку режущего диска на корпусе пилы.
  8. Установите новое полотно ленточной пилы. Соблюдайте правильное расположение: зубья обращены к передней части пилы.
  9. Полотно ленточной пилы находится по центру резиновых шин колес ленточной пилы.
  10. Затяните рычаг быстрого отпускания до момента, пока полотно не перестанет соскальзывать с колес пилы.
  11. Закройте нижнее ограждение дисковой пилы.

#### ⚠ ПРЕДУПРЕЖДЕНИЕ:

- Закройте нижнюю крышку только после того, как нижнее ограждение дисковой пилы будет в закрытом положении.
12. Установите правую направляющую стола в исходное положение. **(Рис. 28 и 29)**
  13. Установите пылезащитную крышку.
  14. Закройте обе крышки.
  15. Затем:
    - натяните полотно ленточной пилы (см. раздел под названием “Натягивание полотна ленточной пилы” в “ТЕХНИЧЕСКОМ ОПИСАНИИ”).
    - выровняйте полотно ленточной пилы (см. раздел под названием “Выравнивание полотна ленточной пилы” в “СБОРКЕ”).
    - выровняйте направляющие полотна (см. раздел под названием “Регулировка верхней направляющей полотна” в “ТЕХНИЧЕСКОМ ОПИСАНИИ”).
    - запустите как минимум на одну минуту проверку пилы;
    - остановите пилу, отсоедините ее от сети и повторно проверьте настройки.

### Регулировка скорости распила (Рис. 30)

1. Откройте нижнюю крышку.
2. Ослабьте приводной ремень, повернув ручку по часовой стрелке.



3. Установите приводной ремень на необходимый шкив приводного колеса (нижнее колесо ленточной пилы) и на соответствующий шкив электромотора (см. наклейку под нижней крышкой).

**⚠ ПРЕДУПРЕЖДЕНИЕ:**

Приводной ремень должен работать либо на двух передних, либо на двух задних шкивах. Клиновидный ремень не должен работать по диагонали.

### **Ручка регулировки натяжения ремня (Рис. 31)**

С помощью ручки регулировки можно при необходимости корректировать натяжение ремня:

- вращение ручки регулировки по часовой стрелке снижает натяжение приводного ремня.
- вращение ручки регулировки против часовой стрелки увеличивает натяжение приводного ремня.

Снова затяните приводной ремень, повернув ручку против часовой стрелки

(в средней точке между шкивами прогиб приводного ремня должен составлять около 10 мм). (Рис. 32)

Закройте нижнюю крышку.

## **ТЕХНИЧЕСКОЕ ОПИСАНИЕ**

### **Натяжение полотна ленточной пилы (Рис. 33)**

**⚠ ПРЕДУПРЕЖДЕНИЕ:**

**Чрезмерное натяжение может привести к поломке полотна ленточной пилы. Недостаточное натяжение может привести к соскальзыванию работающего колеса ленточной пилы и остановке полотна пилы.**

1. Полностью поднимите верхнюю направляющую полотна. Используя шкалу в качестве направляющей и учитывая ширину полотна, поверните рукоятку, чтобы отрегулировать натяжение. (После регулировки проверьте натяжение как показано в пункте 2.)
2. Проверка натяжения полотна:
  - проверьте натяжение, нажав пальцем сбоку пилы в среднюю точку между столом и верхней направляющей полотна, находясь при этом (прогиб полотна должен составлять не более 1-2 мм).
  - проверьте регулировку на индикаторе натяжения полотна. Шкала отображает правильную регулировку в зависимости от ширины полотна ленточной пилы.
3. При необходимости скорректируйте натяжение:
  - вращение ручки регулировки по часовой стрелке увеличивает натяжение полотна.
  - вращение ручки регулировки против часовой стрелки снижает натяжение полотна.

### **Выравнивание полотна ленточной пилы (Рис. 34)**

Если полотно ленточной пилы находится не в центре резиновых шин, его необходимо отрегулировать с помощью наклона верхнего колеса ленточной пилы:

1. Ослабьте ручку блокировки.
2. Вручную поверните верхнее колесо (не касайтесь полотна!).
3. Поверните по часовой стрелке ручку регулировки, если полотно ленточной пилы работает по направлению к передней части пилы.
  - Поверните против часовой стрелки ручку регулировки, если полотно ленточной пилы работает по направлению к задней части пилы.

4. После регулировки всегда закрывайте ручку блокировки. (Рис. 35)

### **Рычаг быстрого отпускания (Рис. 36)**

С помощью рычага быстрого отпускания можно ослабить напряжение пильного полотна.

По часовой стрелке: Снижение напряжения

Против часовой стрелки: Увеличение напряжения

### **Регулировка верхней направляющей полотна (Рис. 37)**

Необходимо отрегулировать высоту верхней направляющей полотна: перед каждым распилом/работой, чтобы приспособить высоту обрабатываемой детали (верхняя направляющая полотна должна быть установлена приблизительно в 3 мм над деталью);

- после регулировки полотна ленточной пилы или отрезного станка со столом (например, изменение полотна ленточной пилы, натяжение полотна, выравнивание отрезного станка со столом).

**⚠ ПРЕДУПРЕЖДЕНИЕ:**

Перед регулировкой верхней направляющей полотна и наклоном отрезного станка со столом:

- отключите инструмент;
- дождитесь, пока полотно ленточной пилы не остановится полностью.

- С помощью ручки регулировки, и ослабив ручку блокировки, установите верхнюю направляющую полотна на необходимую высоту.

После регулировки убедитесь, что стопорная гайка затянута.

- Никогда не распиливайте несколько деталей одновременно (а также пачки или стопки деталей, содержащие несколько отдельных элементов). При захвате полотном отдельных элементов возможен риск получения травмы.

1. Ослабьте болт С и отрегулируйте держатель подшипника таким образом, чтобы центрирующий подшипник находился в 1-2 мм от нижней части полотна. (Рис. 38 - 40)
2. Ослабьте болт А и отрегулируйте опорный подшипник так, чтобы он находился в 0,5 мм от задней части полотна.
3. Ослабьте болт В и отрегулируйте центрирующий подшипник так, чтобы он находился в 0,5 мм от полотна.

### **Выровняйте нижнюю направляющую полотна (Рис. 41)**

Нижняя направляющая полотна состоит из:

- опорного подшипника (поддерживающих полотно ленточной пилы сзади).
- двух центрирующих подшипников (обеспечивающих поддержку по бокам).

Данные элементы необходимо регулировать заново после каждой смены полотна ленточной пилы или регулировки движения полотна:

**Примечание:**

Время от времени проверяйте опорные и центрирующие подшипники на предмет износа. При необходимости замените оба центрирующих подшипника одновременно.

- Откройте нижнюю крышку и нижнее ограждение режущего диска.
- Ослабьте шестигранный болт, переместите нижнее ограждение и отрегулируйте подшипник так, чтобы он находился в 1-2 мм от нижней части каждого лезвия.

## Регулировка опорного подшипника

1. Ослабьте болт А.
2. Отрегулируйте положение опорного подшипника (расстояние опорного подшипника - полотна ленточной пилы = 0,5 мм - если полотно ленточной пилы поворачивается рукой, оно не должно касаться опорного подшипника).
3. Затяните болт А.

## Регулировка центрирующих подшипников

### (Рис. 42)

1. Ослабьте болт В.
2. Установите центрирующий подшипник рядом с полотном ленточной пилы.
3. Поверните колесо ленточной пилы рукой несколько раз по часовой стрелке, чтобы установить центрирующие подшипники в правильное положение. Ослабьте болт А и отрегулируйте опорный подшипник так, чтобы он находился в 0,5 мм от задней части полотна. Оба центрирующих подшипника должны ТОЛЬКО КАСАТЬСЯ полотна ленточной пилы.
4. Снова затяните болт В.
5. Закройте нижнее ограждение дисковой пилы.
6. Закройте нижнюю крышку.

## Выравнивание отрезного станка со столом под правильным углом по отношению к полотну ленточной пилы (Рис. 43 и 44)

1. Полностью поднимите верхнюю направляющую полотна (см. раздел "Эксплуатация").
2. Проверьте натяжение полотна ленточной пилы (см. "ТЕХНИЧЕСКОЕ ОПИСАНИЕ"). Поворачивайте ручку по часовой стрелке, чтобы наклонить стол против часовой стрелки, и наоборот.
3. Ослабьте рычаг блокировки.
4. С помощью угольника установите стол под правильным углом по отношению к полотну, повернув ручку для регулировки стола. Снова затяните рычаг блокировки.
5. Отрегулируйте винт ограничителя хода, пока он не коснется корпуса пилы.

## Эксплуатация (Рис. 45 и 46)

### ⚠ Опасность:

Чтобы максимально снизить риск получения травмы при работе с пилой, необходимо соблюдать следующие рекомендации по технике безопасности.

### ⚠ ПРЕДУПРЕЖДЕНИЕ:

- Во время распила запрещается касаться дискового полотна.
- Во время работы пилы обязательно надевайте защитные очки. Не надевайте перчатки.
- Распиливайте только одну деталь за раз.
- Обязательно удерживайте деталь на столе.
- Не допускайте заклинивания обрабатываемых деталей.
- Не пытайтесь снизить скорость работы полотна ленточной пилы или остановить его, толкая сбоку обрабатываемую деталь.
- Используйте нажимную палку во время прямого распила относительно планки.
- Если это необходимо, используйте следующее:
  - нажимная палка - если расстояние направляющей планки - полотна ленточной пилы  $\leq 150$  мм;
  - люнет - для длинных деталей, которые, в противном случае, после распила упадут со стола;

- пылесборник;
  - при распиле круглых деталей надежно закрепляйте материал как показано на рисунке.
  - подходящая направляющая для фиксации тонкой детали, лежащей на краю.
  - защитные перчатки для обращения с полотном пилы и сырьем.
- Перед началом работы убедитесь, что следующие элементы находятся в нормальном рабочем состоянии:
    - пыльное полотно;
    - верхнее и нижнее ограждение пилы.
  - Replace damaged parts immediately.
  - Предполагайте правильное рабочее положение (зубья пыльного полотна должны указывать на оператора).

## Распил

### ⚠ ПРЕДОСТЕРЕЖЕНИЕ:

Риск обратной отдачи (обрабатываемая деталь может быть захвачена пыльным полотном и отброшена в оператора.) Не допускайте заклинивания обрабатываемой детали.

- Выберите направляющую планку и угол наклона стола в соответствии с типом проводимой работы.
- Установите верхнюю направляющую полотна в 3 мм над обрабатываемой деталью.

### Примечание:

Всегда делайте пробный распил кусков отходов для проверки настроек (при необходимости исправьте их перед распилом детали).

- Расположите обрабатываемую деталь на пыльном полотне.
- Подключите устройство к источнику питания.
- Включите пилу.
- Распилите деталь за один проход.
- Выключите пилу, если в ближайшее время работы не планируется.
- Используйте стол, приобретенный дополнительно.

## Наклон отрезного станка со столом (Рис. 47)

### ⚠ ПРЕДУПРЕЖДЕНИЕ:

При снятии фаски на наклоненном столе устанавливайте ограждение на нижнюю часть стола.

После ослабления рычага фиксации, отрезной станок со столом плавно наклоняется под углом 47° к полотну. Поворачивайте ручку по часовой стрелке, чтобы наклонить стол против часовой стрелки, и наоборот.

## Connecting to vacuum cleaner (Рис. 48 и 49)

Для обеспечения чистоты при работе подсоедините к инструменту пылесос или пылесборник Makita. Если устройство для отсасывания пыли установлено на коллектор с большим отверстием, сделайте также на пылесборнике большое отверстие.

## Как перемещать устройство (Рис. 50)

- Поднимите ручку, чтобы позволить движение устройства.
- Во время транспортировки ограждение полотна пилы должно быть полностью опущено и находиться вблизи стола.
- Запрещается использовать ограждение для переноски или транспортировки.

### ⚠ ПРЕДУПРЕЖДЕНИЕ:

- Если ручка поднята слишком высоко, устройство может опрокинуться.

# ОБСЛУЖИВАНИЕ

## ⚠ ПРЕДУПРЕЖДЕНИЕ:

- Перед выполнением какого-либо осмотра или обслуживания инструмента убедитесь, что устройство выключено и его шнур вынут из розетки.

## УВЕДОМЛЕНИЕ:

- Запрещается использовать бензин, лигроин, растворитель, спирт и т.п. Это может привести к изменению цвета, деформации и появлению трещин.

## Чистка

Периодически очищайте инструмент от стружки и щепок. Осторожно очищайте ограждение диска и движущиеся части внутри ленточной пилы.

## Смазка

Для поддержания ленточной пилы в надлежащем рабочем состоянии и максимально продлить срок ее службы периодически смазывайте ее движущиеся и вращающиеся части маслом или смазкой.

Для снижения уровня шума всегда пользуйтесь острыми и чистыми пилами.

Для обеспечения БЕЗОПАСНОСТИ и НАДЕЖНОСТИ инструмента выполняйте его ремонт, обслуживание или регулировку только в авторизованных сервисных центрах компании Makita и с использованием только оригинальных запасных частей компании Makita.

# ПРИНАДЛЕЖНОСТИ

## ⚠ ПРЕДУПРЕЖДЕНИЕ:

- Данные принадлежности или приспособления рекомендуются для использования с инструментом Makita, указанным в настоящем руководстве. Использование других принадлежностей или приспособлений может привести к риску получения травмы. Используйте принадлежности или приспособления только для тех целей, для которых они предназначены. За дополнительной информацией об этих принадлежностях обращайтесь в местный сервисный центр Makita.

- Стойка ленточной пилы
- Шестигранный ключ
- Направляющая планка
- Измеритель угла резки
- Круглая насадка для резки
- Раздвижной стол
- Съёмная шлифовальная лента

## Только для европейских стран

### Шум

Типичный уровень взвешенного звукового давления (A) составляет

уровень звукового давления: 81 дБ (A)

уровень звуковой мощности: 94 дБ (A)

Погрешность (K): 3 дБ (A)

### Используйте средства защиты слуха.

Эти значения были получены в соответствии с EN61029.

## Декларации о соответствии ЕС

**Makita Corporation, являясь ответственным**

**производителем, заявляет, что следующие устройства Makita:**

Обозначение устройства: Ленточная пила

№ модели / тип: LB1200F

являются серийными изделиями и

### Соответствует следующим директивам ЕС:

2006/42/EC

И изготовлены в соответствии со следующими стандартами или нормативными документами:

EN61029

№ сертификата ЕС: M6A 10 05 26932 017

Сертификация в ЕС выполнена:

TÜV SÜD Product Service GmbH, Zertifizierstelle,

Ridlerstraße 65, 80339 München, Germany

Идентификационный номер 0123

Техническая документация хранится у официального представителя в Европе:

Makita International Europe Ltd.,

Michigan, Drive, Tongwell,

Milton Keynes, Bucks MK15 8JD, England

25. 05. 2010



Tomoyasu Kato (Томояшу Като)

Директор

Makita Corporation

3-11-8, Sumiyoshi-cho,

Anjo, Aichi, JAPAN

**Makita Corporation**

Anjo, Aichi, Japan

[www.makita.com](http://www.makita.com)

JM21080013

ALA